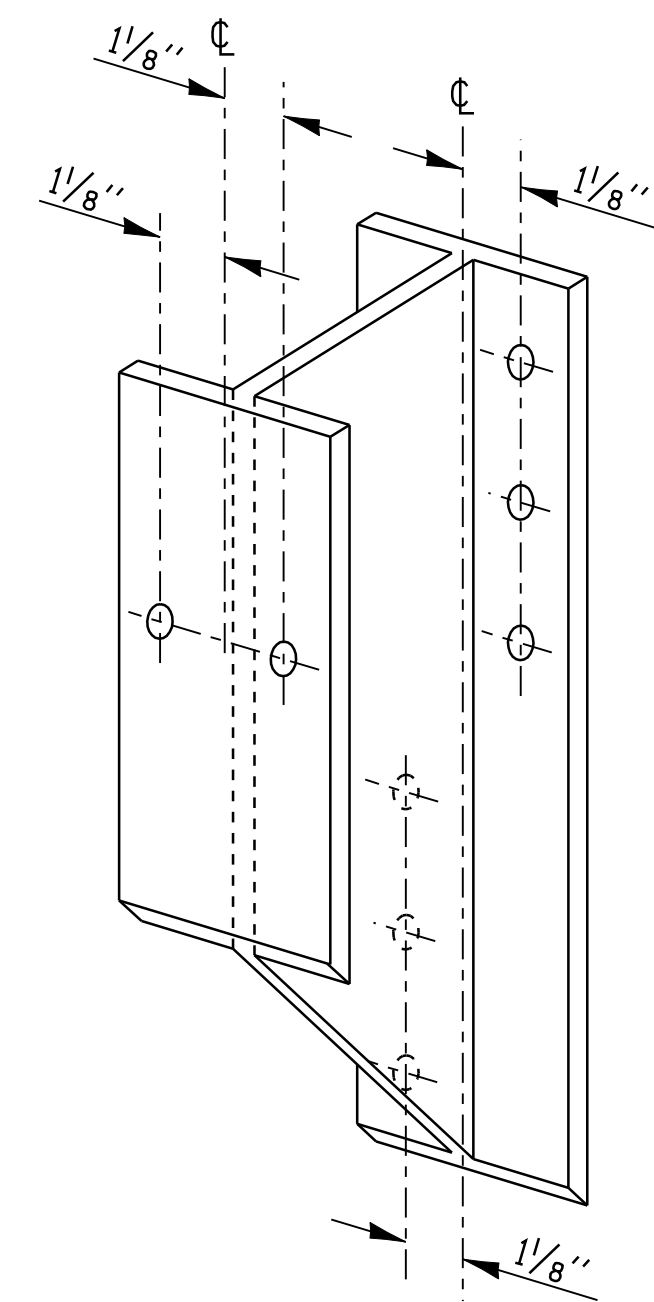
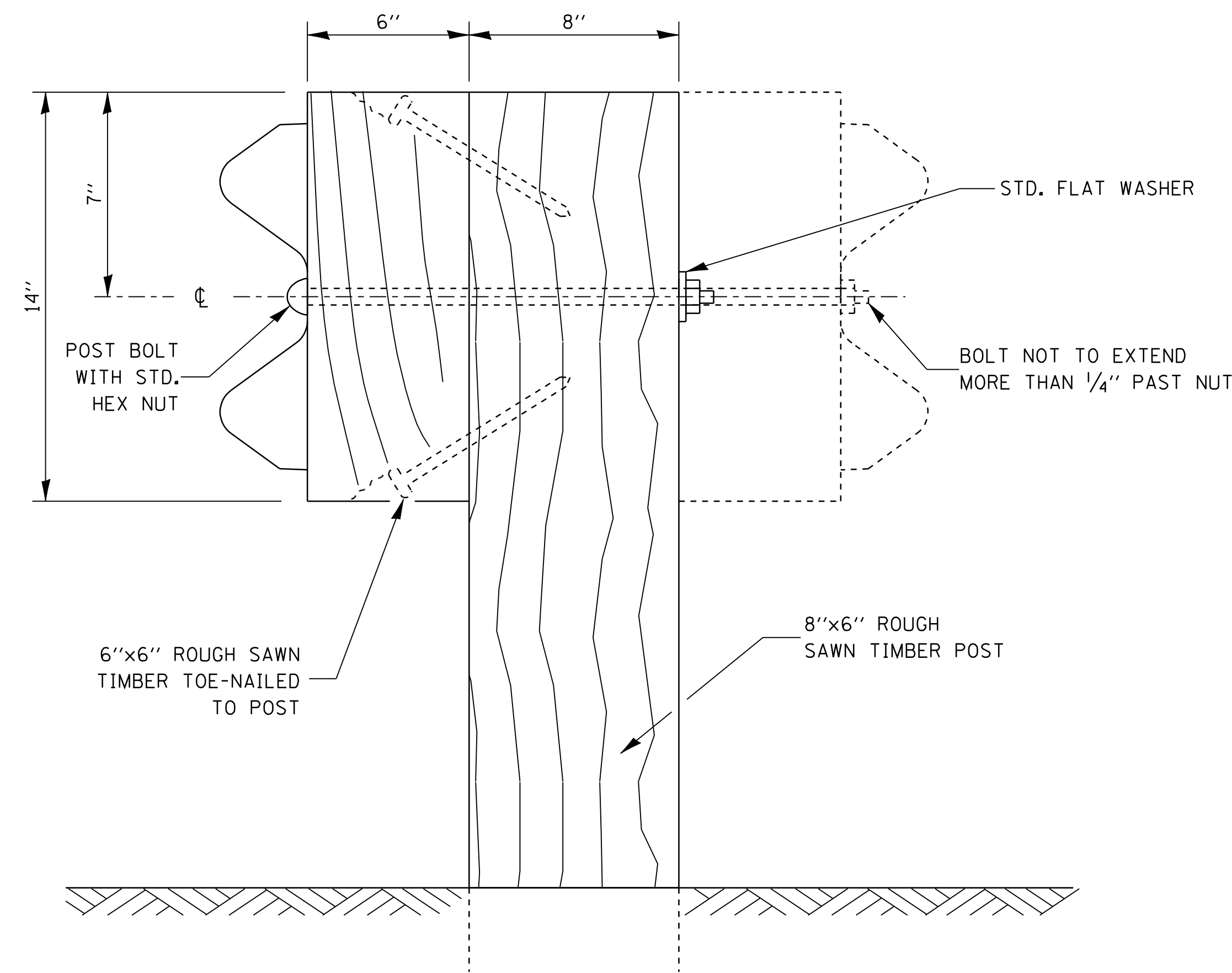


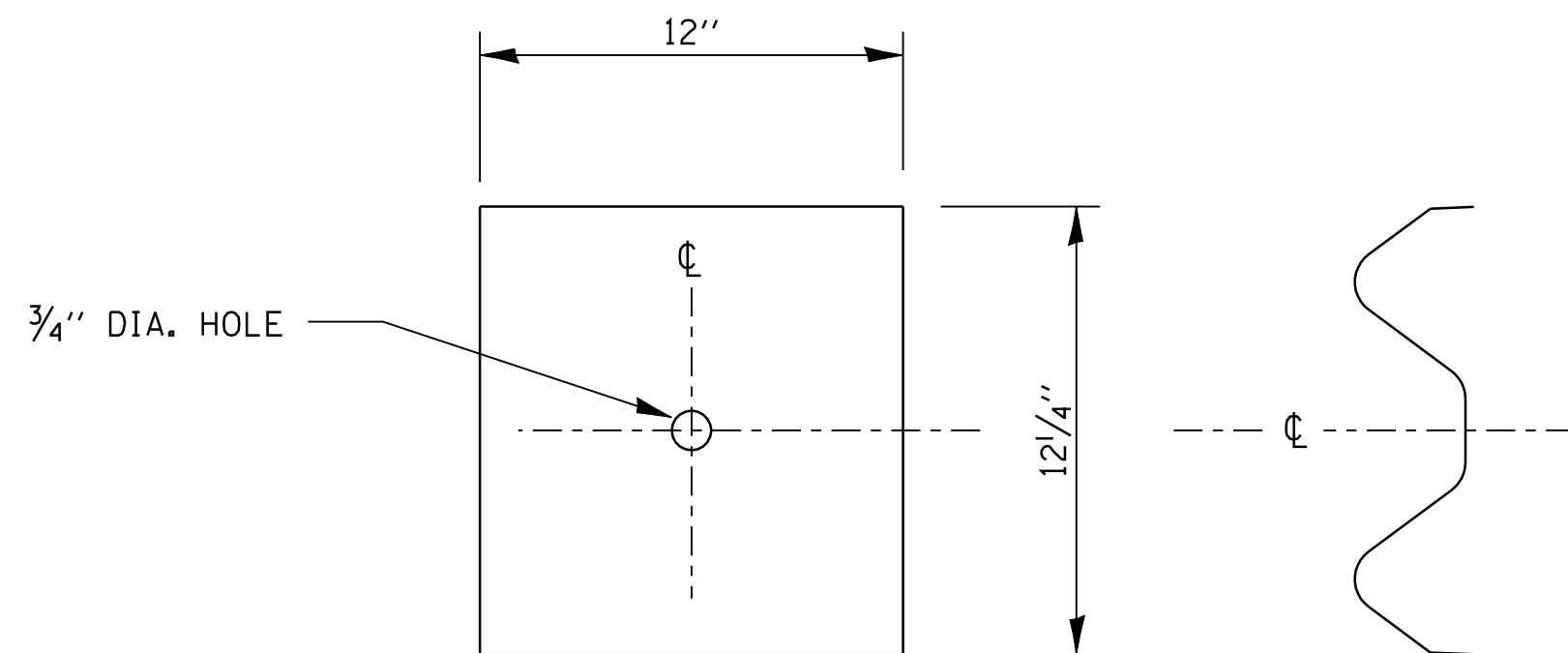
STEEL POST CONSTRUCTION



STEEL BLOCK-OUT DETAIL

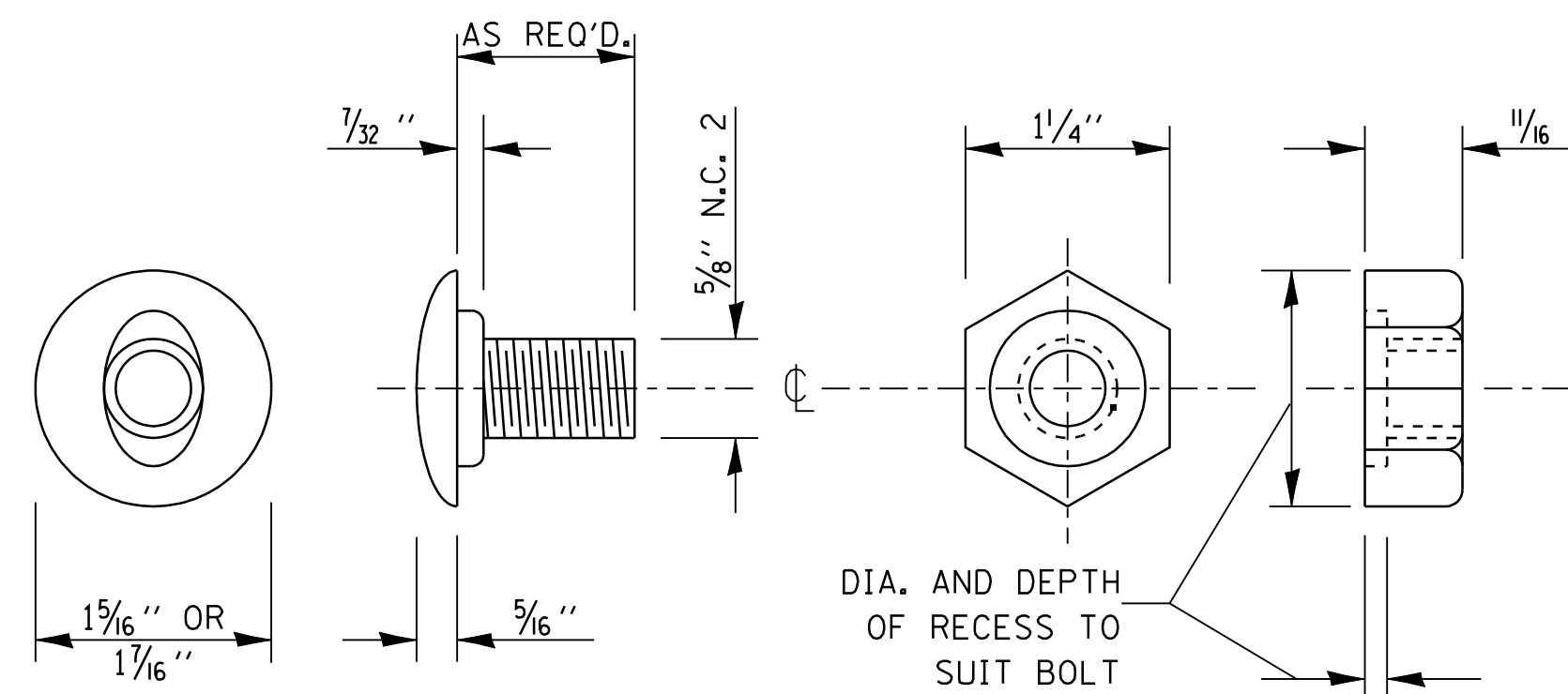


WOOD POST CONSTRUCTION



NOTE:
 PLATE A SHALL BE PLACED BETWEEN RAIL
 ELEMENT AND BLOCK-OUT AT NON-SPLICE
 MOUNTING POINTS ONLY WHEN STEEL
 BLOCK-OUTS ARE USED.

PLATE A



POST OR SPLICE BOLT & NUT

FILE NAME =	USER NAME = corcoranlm	DESIGNED -	REVISED -
c:\pw_work\PWIDOT\CORCORANLM\dms41560\00699.dgn		DRAWN -	REVISED -
	PLOT SCALE = 47.727' / IN.	CHECKED -	REVISED -
	PLOT DATE = Jul 28, 2009 - 09:52:47 AM	DATE -	REVISED -

F.A. RTE.	SECTION	COUNTY	TOTAL SHEETS	SHEET NO.
FED. ROAD DIST. NO.			ILLINOIS FED. AID PROJECT	
			CONTRACT NO.	