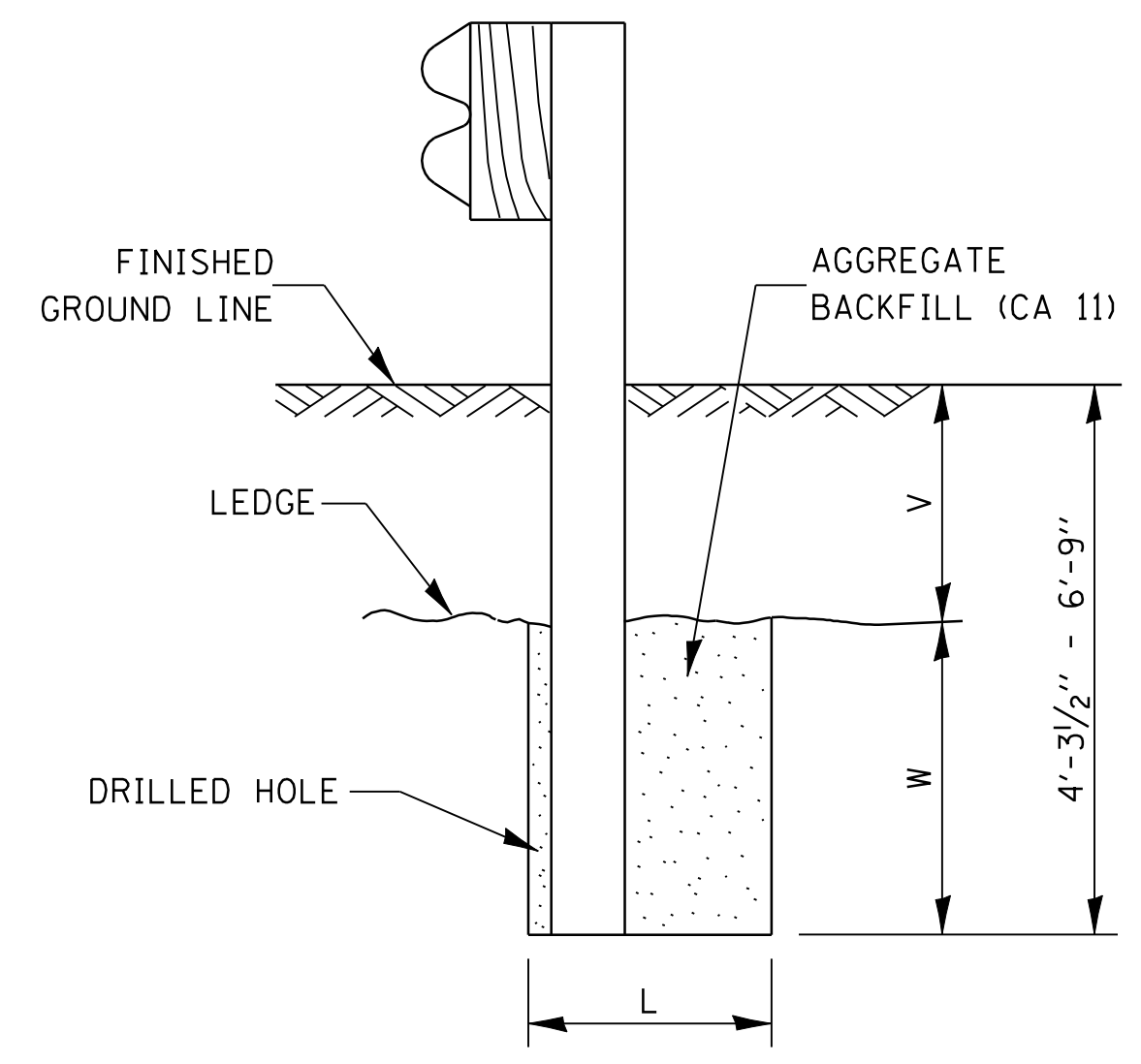


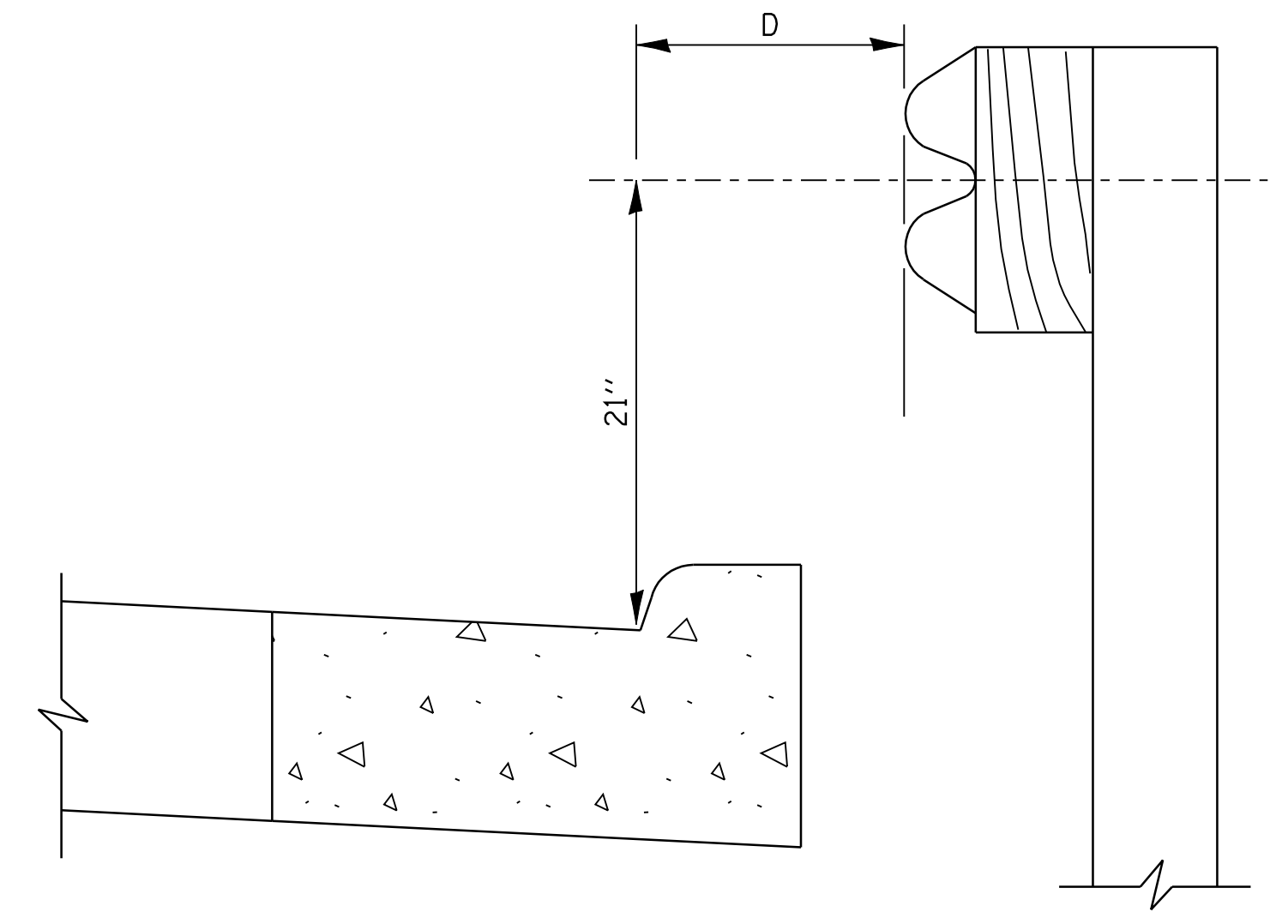
PLAN



ELEVATION

NOTE:
LEDGE LINE IS TOP OF ROCK LEDGE OR HARD SLAG FILL.

FOOTING FOR POST WHEN IMPERVIOUS MATERIAL IS ENCOUNTERED

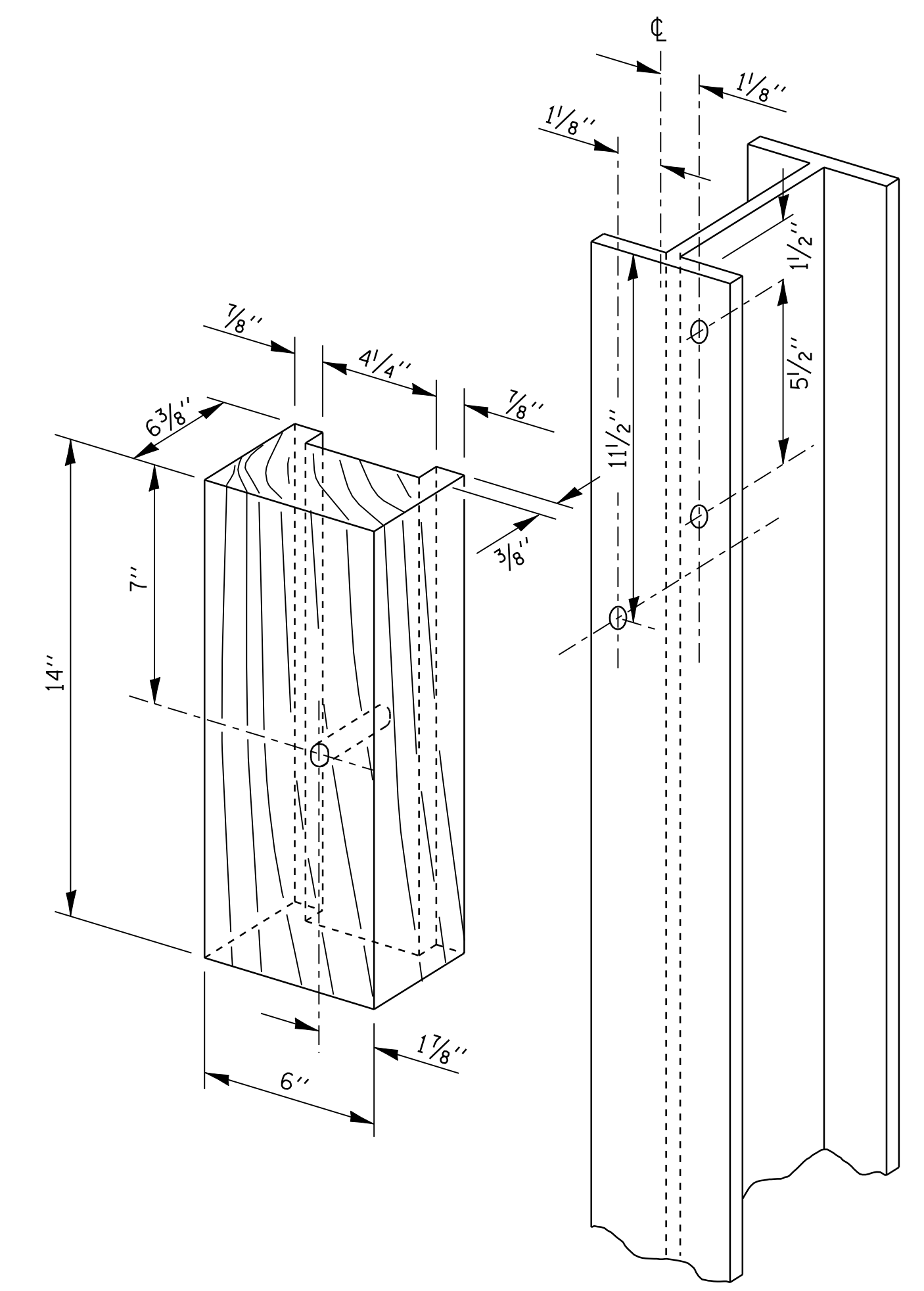


NOTE:
IF IT IS NECESSARY FOR D TO BE MORE THAN 12" AND LESS THAN 10'-0" TYPE M-2 CURB AND GUTTER (STD. 606001) SHALL BE USED IN FRONT OF AND IN ADVANCE OF THE GUARDRAIL.

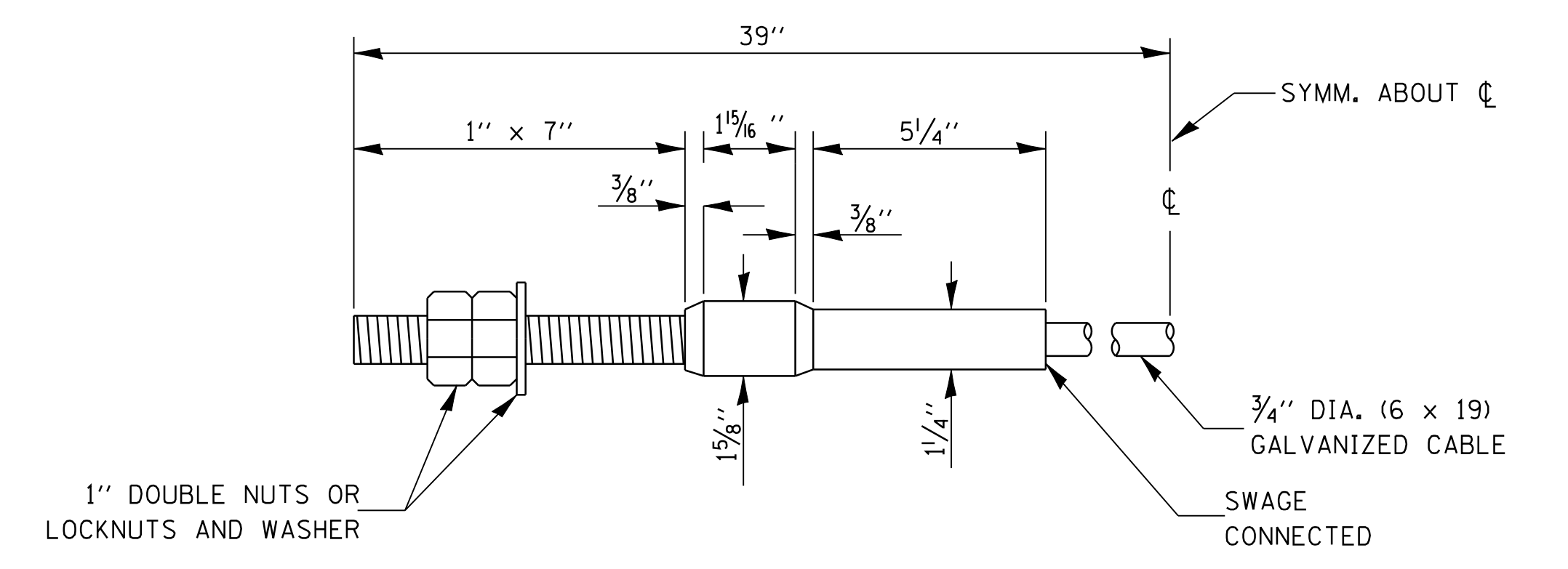
GUARDRAIL PLACED BEHIND CURB

(D = 0 DESIRABLE TO 12" MAXIMUM)

V	W	L	
		STEEL POST	WOOD POST
0" - 18"	24"	21"	23"
>18" - 41 1/2"	12"	8"	10"
>41 1/2" - 53 1/2"	12" - 0"	8"	10"



WOOD BLOCK-OUT AND STEEL POST DETAILS



CABLE ASSEMBLY

40,000 LBS. MIN. BREAKING STRENGTH
TIGHTEN TO TAUT TENSION.