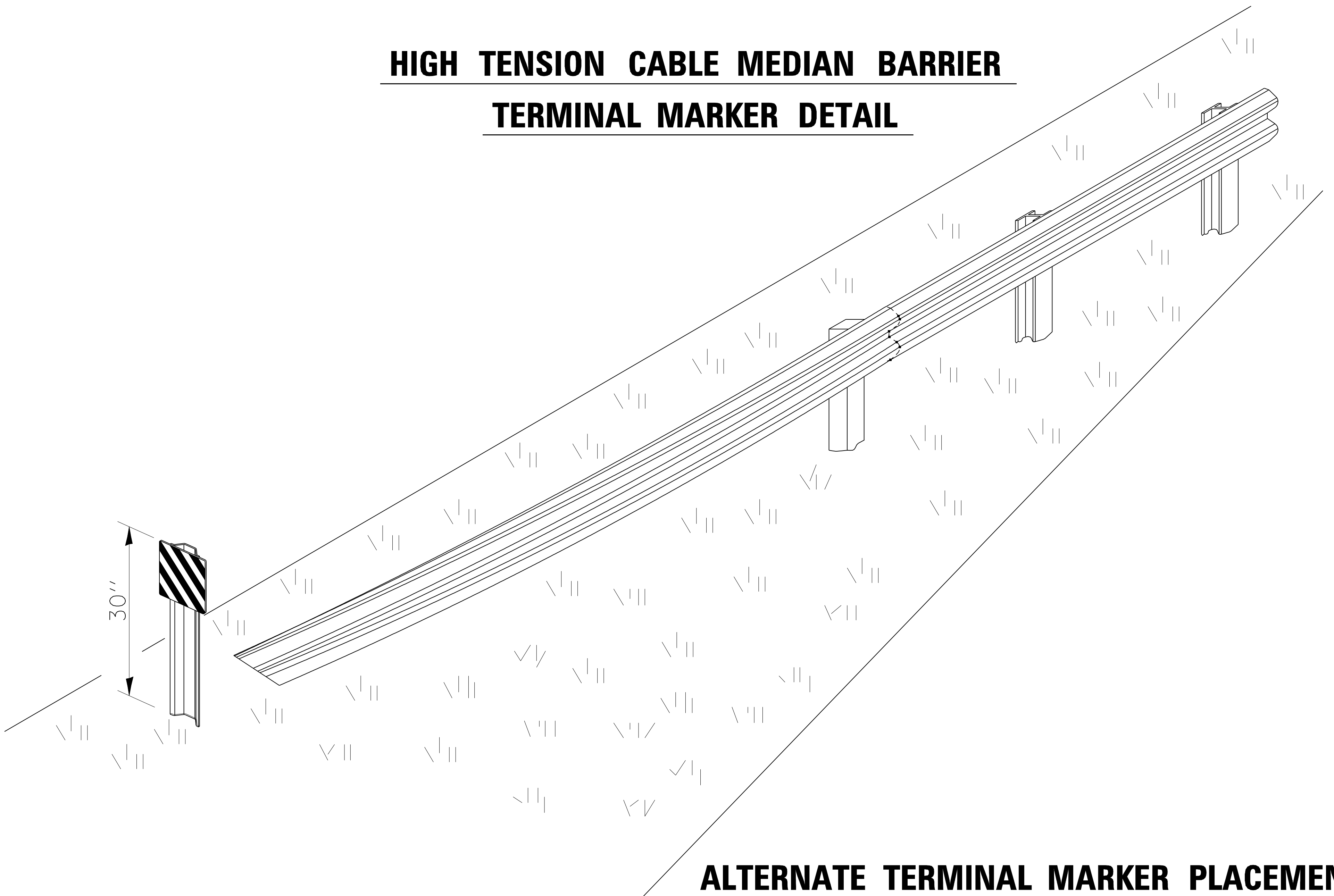


**HIGH TENSION CABLE MEDIAN BARRIER  
TERMINAL MARKER DETAIL**



**ALTERNATE TERMINAL MARKER PLACEMENT**

POST MOUNT ONLY WITH TWISTED OR SLOPING TERMINAL  
WHERE SHEETING CANNOT BE APPLIED DIRECTLY TO TERMINAL