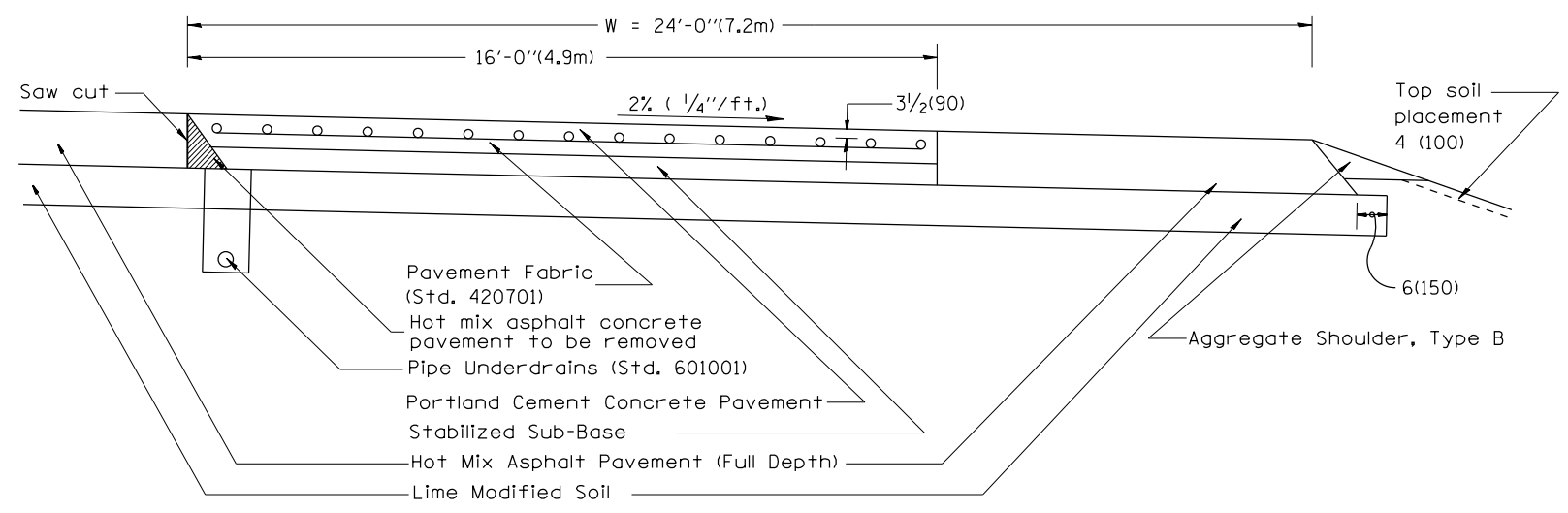
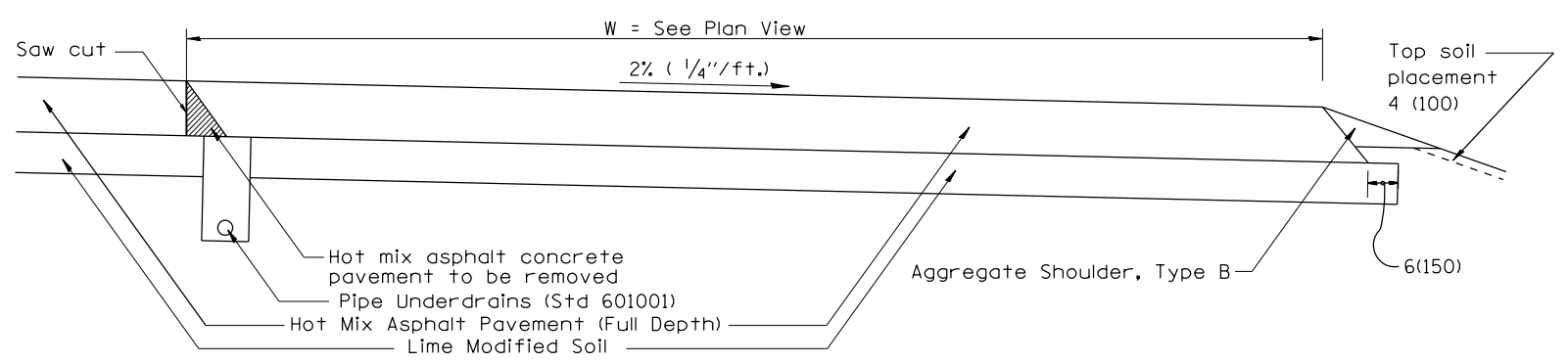


PLAN



TYPICAL SECTION @ P.C.C. PAD
LOCATION D TO E
(See General Note 3)



TYPICAL SECTION
LOCATION A TO D
LOCATION E TO I
(See General Note 3)

GENERAL NOTES

1. The P.C.C. Pavement shall be constructed without any joints.
2. The maximum longitudinal grade of P.C.C. Pad shall be $\pm 2\%$.
3. See plans for size and thicknesses.

All dimensions are in inches (millimeters) unless otherwise noted.

01-01-97	RENUM. C-80.01, NEW REVISION BOX	T.P.				STATE OF ILLINOIS DEPARTMENT OF TRANSPORTATION	PORTABLE SCALE TURNOUT FOR NEW HOT MIX ASPHALT CONSTRUCTION	F.A. RTE.	SECTION	COUNTY	TOTAL SHEETS	SHEET NO.	
09-15-05	REVISED DESIGNER NOTE	M.M.A.											
10-16-06	REVISED TO 2007 SPEC.	M.A.											
							NOT TO SCALE	CADD STD. 420101-D4		CONTRACT NO.			
							FED. ROAD DIST. NO. ILLINOIS FED. AID PROJECT						