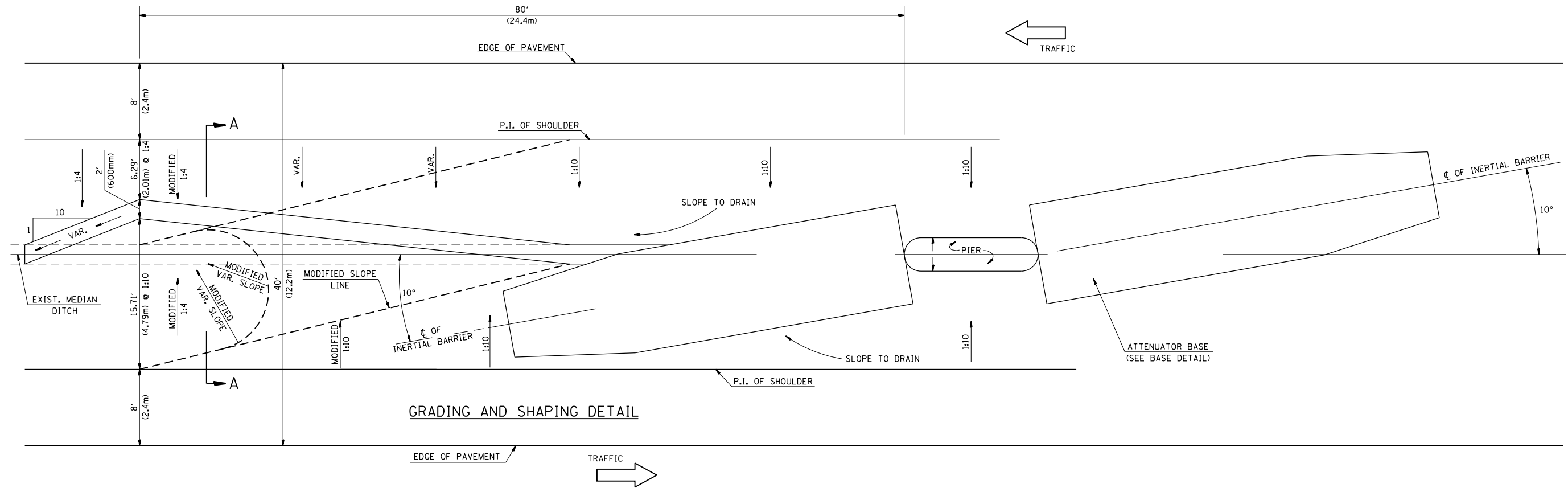
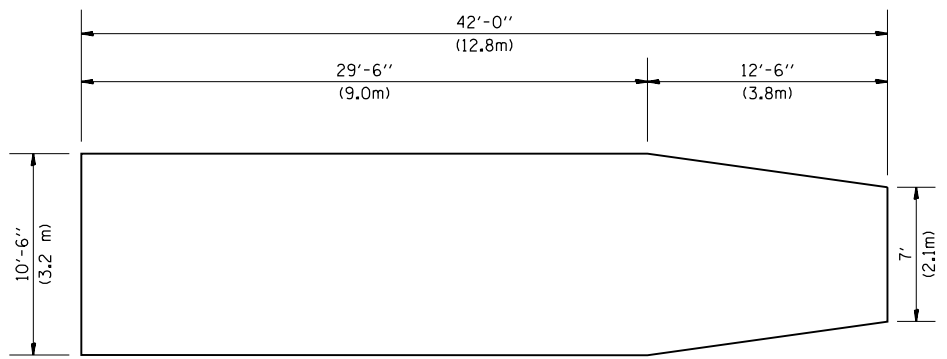


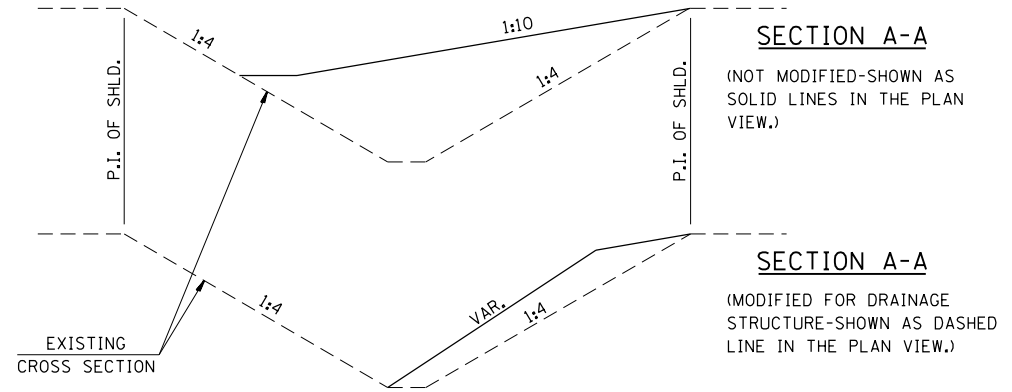
DETAIL OF INERTIAL BARRIERS (70 MPH DESIGN – 40' MEDIAN)



GRADING AND SHAPING DETAIL



BASE DETAIL



GENERAL NOTES

1. ALL 1:10 SLOPES SHOWN ON THIS DETAIL SHALL BE CONSTRUCTED 1:10 OR FLATTER.
2. ANY EXISTING DRAINAGE STRUCTURES LOCATED WITHIN THE 80' (24.4m) WORKING AREA SHALL BE MODIFIED OR LEFT IN PLACE AS SHOWN ON THE PLANS, WHERE THE EXISTING DRAINAGE STRUCTURES ARE TO REMAIN IN PLACE, THE SLOPES ARE TO BE CONSTRUCTED AS SHOWN AS MODIFIED SLOPES ON THIS DETAIL AND AS DIRECTED BY THE ENGINEER.
3. THE SLOPES AS SHOWN ON THIS DETAIL SHALL APPLY TO BOTH ENDS OF THE BRIDGE PIERS.
4. ATTENUATOR BASE AND BARREL ARRAY SHALL BE INSTALLED IN ACCORDANCE WITH STATE STANDARD 643001 AND MANUFACTURER'S SPECIFICATIONS.
5. IN AREAS OF 1:10 SLOPES PRECEDING THE ATTENUATOR IN THE MEDIAN INSTALLATION, FOUR WOOD POSTS SHALL BE PLACED AT 5' (1.5m) INTERVALS IN THE MEDIAN Ø, SEE SPECIAL PROVISIONS.

All slope ratios are expressed as units of vertical displacement to units of horizontal displacement (V:H)

All dimensions are in inches (millimeters) unless otherwise noted.

DESIGNER NOTES:
 1. Include BDE Special Provision "Impact Attenuators"
 2. Contact the Bridge Office about crash wall details if it needs to be raised.
 3. Designer should review Median Drainage.
 4. Verify Dist. STD No. for Design Speed & Median Width.

01-01-97	RENUM. F-3.02a, NEW REVISION BOX, REVISED	T.P.	03-15-12	REMOVED BARRELS	R.D.	STATE OF ILLINOIS DEPARTMENT OF TRANSPORTATION	MEDIAN SAND MODULE IMPACT ATTENUATOR 40' MEDIAN	F.A. RTE.	SECTION	COUNTY	TOTAL SHEETS	SHEET NO.	
08-02	REVISED & ADDED	M.A.											
10-16-06	REVISED TO 2007 SPEC.	M.A.											
								NOT TO SCALE	CADD STD. 650002-D4	CONTRACT NO.			