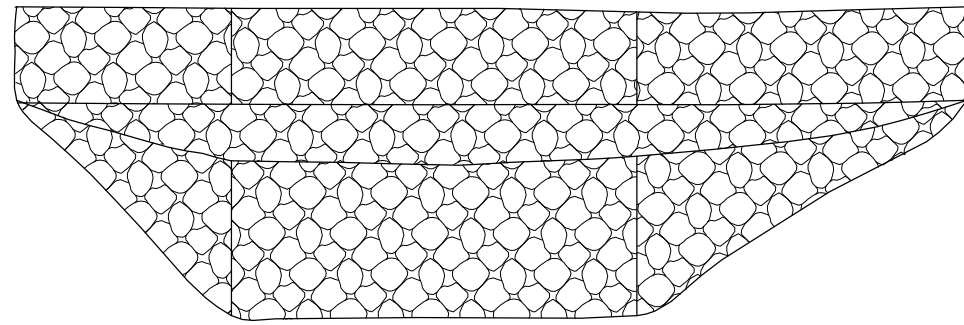
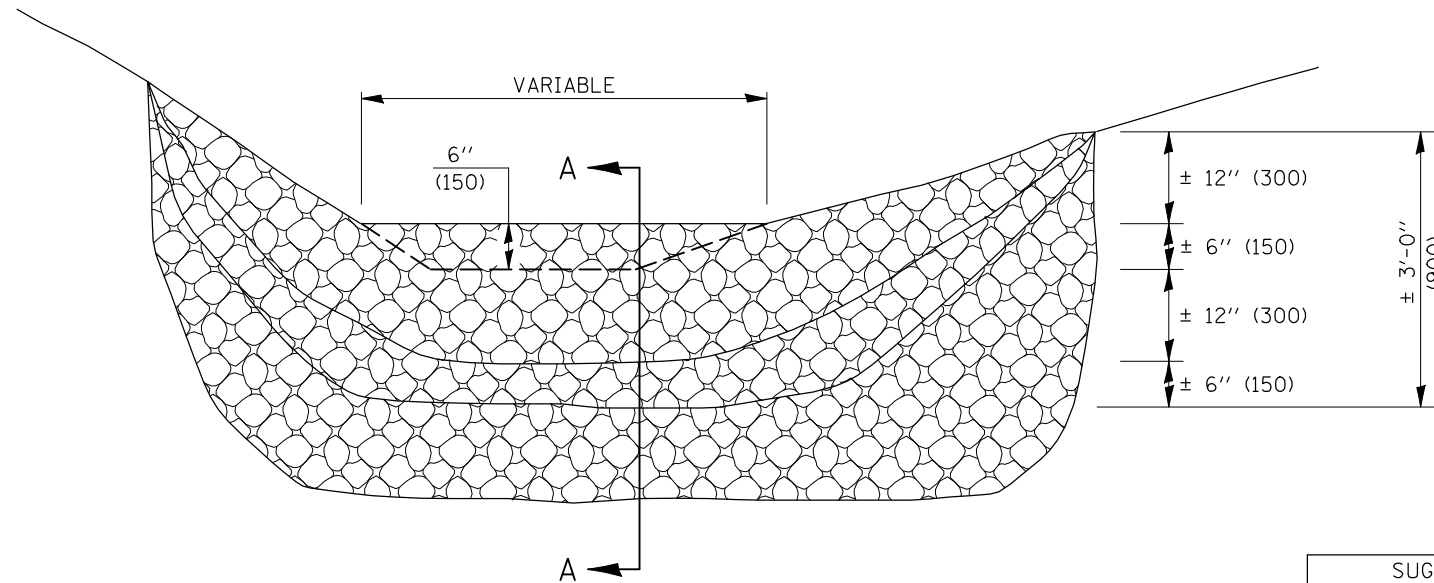


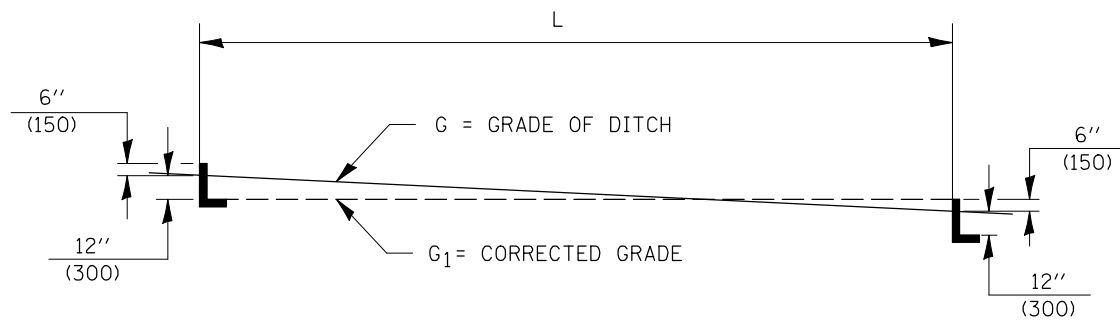
DESIGNER NOTE: IF THE PROPOSED LOCATION OF THE DITCH CHECK IS WITHIN THE UNSHIELDED CLEAR ZONE OF THE TRAVELED WAY, OTHER TYPES OF EROSION CONTROL METHODS AND PROCEDURES SHOULD BE ANALYZED AND USED, IF POSSIBLE.



PLAN



DOWNSTREAM ELEVATION



METHOD OF PLACING DITCH CHECKS

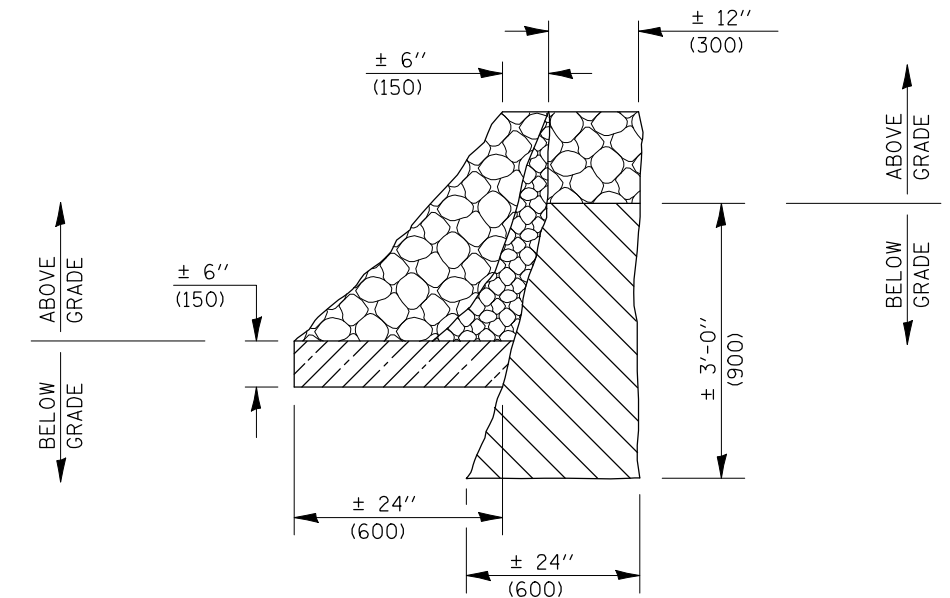
SUGGESTED VALUES OF G ₁	
TYPE OF SOIL	G ₁
COHESIVE SOILS	2.0%
SMALL GRAVEL TO SILT LOAM	1.0%
FINE SAND OR LIGHT SILT	0.5%

L = SPACING OF DITCH CHECKS IN FEET (METERS)
 G = GRADE OF DITCH IN %
 G₁ = GRADE ALLOWABLE FOR SOIL IN %

$$\text{THEN } L = \frac{1.5 \text{ FEET (0.45 m)} \times 100\%}{G - G_1}$$

GENERAL NOTES

1. DITCH CHECKS SHALL BE PAID FOR AT THE CONTRACT UNIT PRICE PER EACH FOR "STONE OR RIPRAP DITCH CHECKS", WHICH PRICE SHALL INCLUDE THE FURNISHING AND PLACING OF ALL MATERIALS FOR A COMPLETE INSTALLATION.
2. INDIVIDUAL STONES OR BROKEN CONCRETE SHALL NOT BE LESS THAN 6" (150 mm) IN THEIR SMALLEST DIMENSION.
3. THE STONE RIPRAP SHALL BE BONDED TOGETHER WITH MORTAR CONSISTING OF ONE PART CEMENT TO THREE PARTS OF SAND, WEIGHT MEASUREMENT.



SECTION A-A

Note: All dimensions are in INCHES (millimeters) unless otherwise shown.

FILE NAME =	USER NAME = craigre	DESIGNED -	REVISED - 11/06
ct:\pwwork\pwwid\craigre\0101509\28102630.dgn		DRAWN -	REVISED -
	PLOT SCALE = 40.0000' / IN.	CHECKED -	REVISED -
	PLOT DATE = 1/7/2010	DATE -	REVISED -

**STATE OF ILLINOIS
DEPARTMENT OF TRANSPORTATION**

STONE RIPRAP DITCH CHECKS

SCALE: SHEET NO. OF SHEETS STA. TO STA.

DISTRICT 5 DETAIL NO. 28102630

F.A. RTE.	SECTION	COUNTY	TOTAL SHEETS	SHEET NO.
CONTRACT NO.				
FED. ROAD DIST. NO. ILLINOIS FED. AID PROJECT				