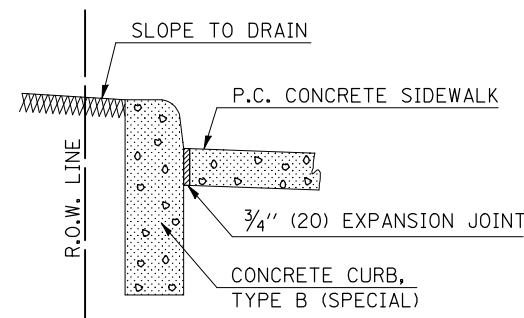
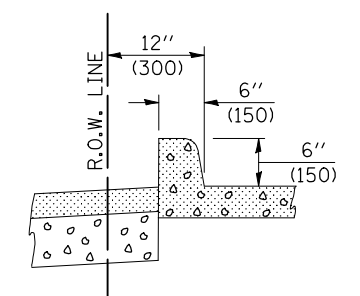


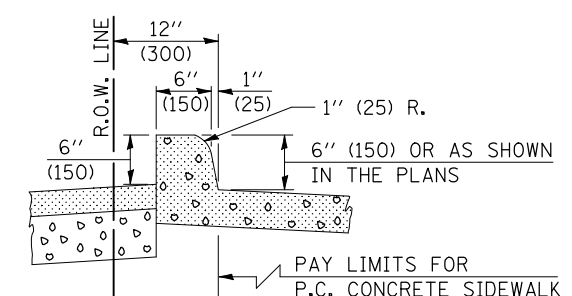
SECTION SHOWING DRAINAGE OPENINGS
@ 15'-0" (4.5 m) CENTERS WHEN REQUIRED



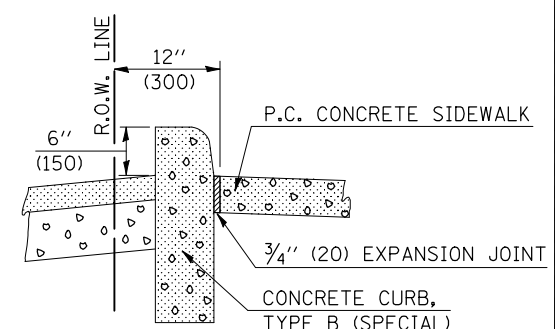
SECTION C-C
CURB DETAIL ADJACENT TO EARTHFILL



SECTION B-B
SIDEWALK CURB DETAIL ONLY WHEN ABUTTING FULL HEIGHT CURB



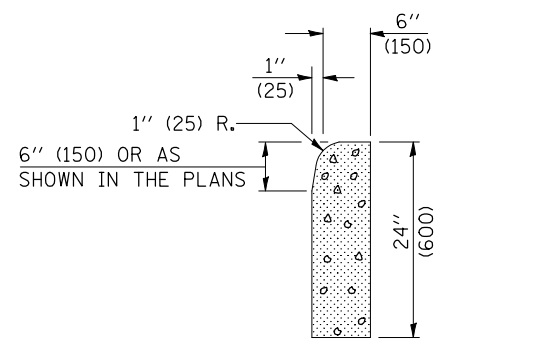
OPTIONAL METHOD OF CONSTRUCTION
MONOLITHIC WITH P.C. CONCRETE SIDEWALK ONLY



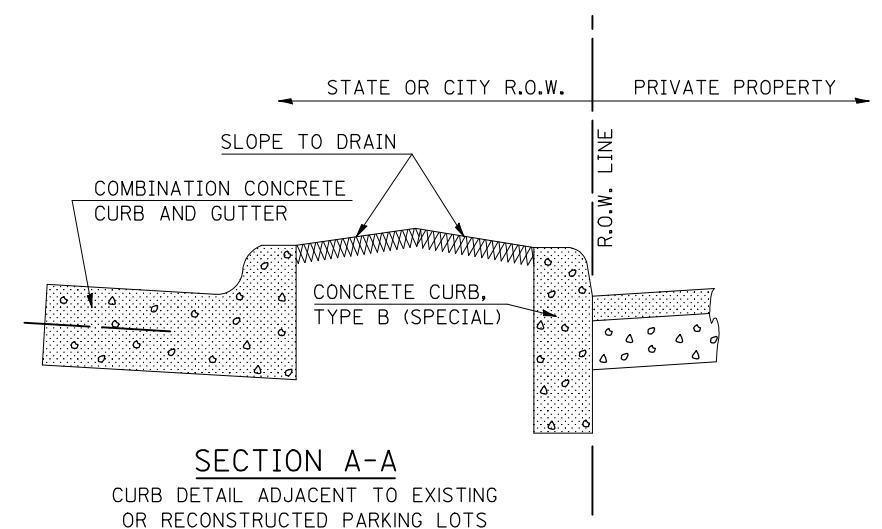
SECTION C-C
CURB DETAIL ADJACENT TO RECONSTRUCTED PARKING LOTS

GENERAL NOTES

1. THE APPLICABLE GENERAL NOTES FOR STANDARD 606001 SHALL APPLY.
2. THE ENGINEER'S APPROVAL SHALL BE OBTAINED IN WRITING BEFORE THE OPTIONAL METHOD OF CONSTRUCTION WILL BE ALLOWED. IF APPROVED, THE MONOLITHIC CURB WILL ALSO BE PAID FOR PER LIN. FT. (METER).
3. ACTUAL APPLICATIONS WILL ALSO BE SHOWN ON THE STATION CROSS-SECTIONS.
4. THIS WORK WILL BE PAID FOR AT THE CONTRACT UNIT PRICE PER LIN. FT. (METER) FOR CONCRETE CURB, TYPE B (SPECIAL) WHICH PRICE SHALL BE PAYMENT IN FULL FOR ALL LABOR AND MATERIAL AS SPECIFIED INCLUDING EXCAVATION, THE 3/4" (20 mm) EXPANSION JOINTS, SAW CUTTING EXISTING PARKING LOTS WHEN REQUIRED, THE DRAINAGE OPENINGS WHEN REQUIRED AND NO ADDITIONAL COMPENSATION WILL BE ALLOWED.



TYPICAL DETAIL OF CONCRETE CURB, TYPE B (SPECIAL)



SECTION A-A
CURB DETAIL ADJACENT TO EXISTING OR RECONSTRUCTED PARKING LOTS

Note: All dimensions are in INCHES (millimeters) unless otherwise shown.

DISTRICT 5 DETAIL NO. 60601005

FILE NAME = c:\p\work\p\WIDOT\CRAIGRE\d0101509\60601005.dgn	USER NAME = craigre	DESIGNED -	REVISED - 11/06	STATE OF ILLINOIS DEPARTMENT OF TRANSPORTATION	CONCRETE CURB, TYPE B (SPECIAL)				F.A. RTE.	SECTION	COUNTY	TOTAL SHEETS	SHEET NO.
		DRAWN -	REVISED -		SCALE:	SHEET NO.	OF SHEETS	STA.	TO STA.	CONTRACT NO.			
		CHECKED -	REVISED -		FED. ROAD DIST. NO. ILLINOIS FED. AID PROJECT								
		DATE -	REVISED -										