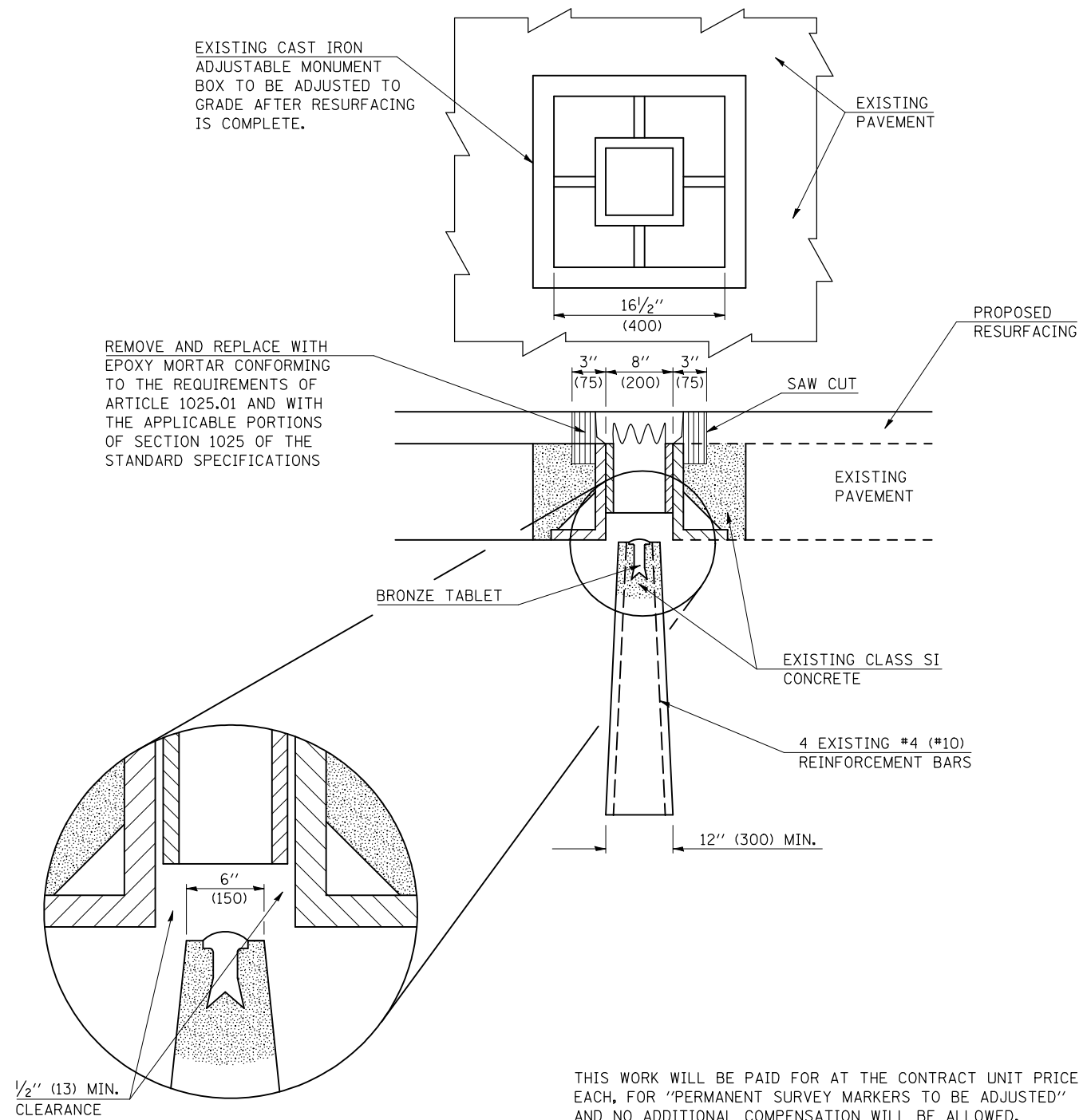


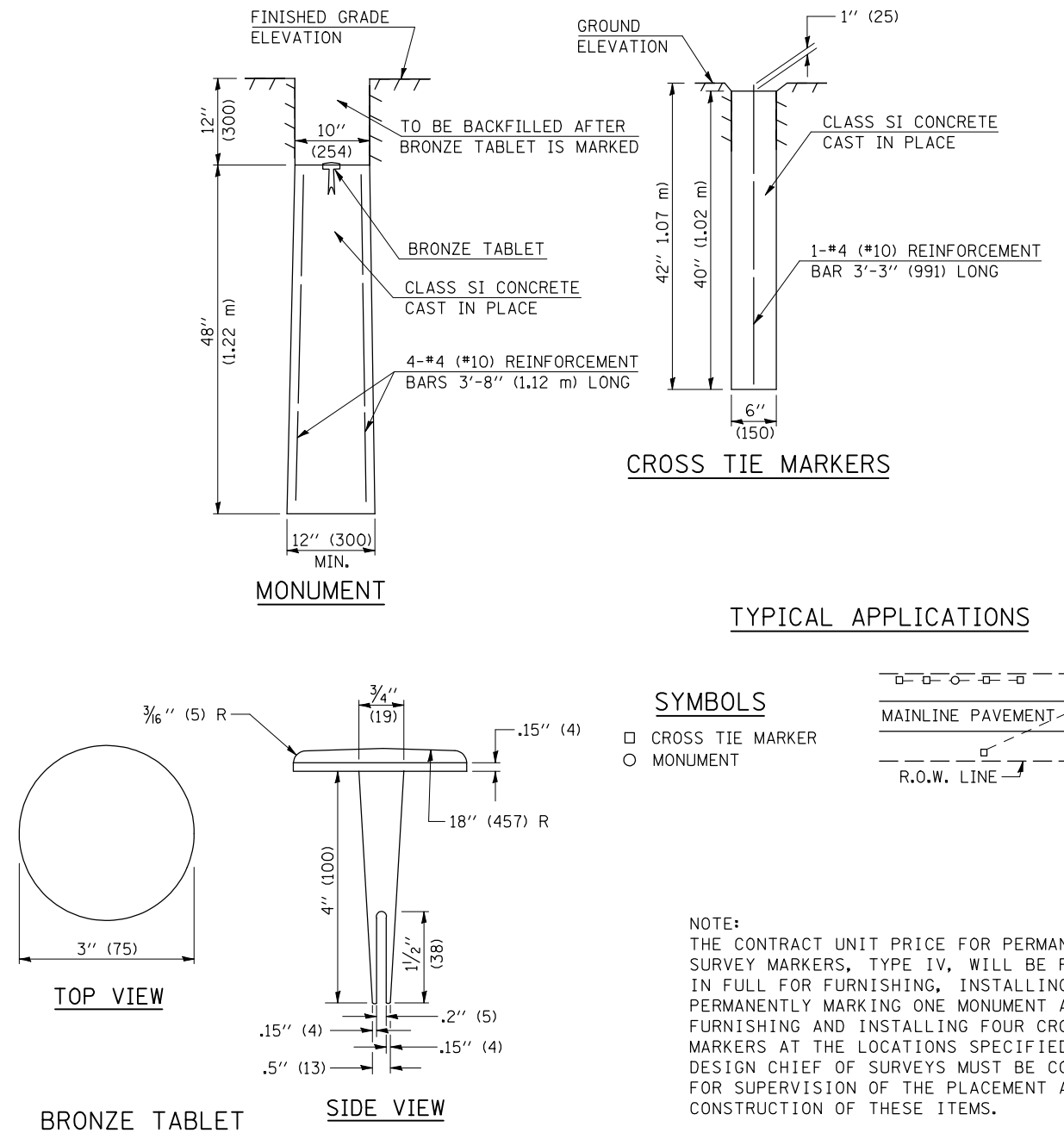
66700110 – PERMANENT SURVEY MARKERS TO BE ADJUSTED

TO BE INSTALLED FOR PRESERVING EXISTING CAST IRON PERMANENT SURVEY MARKERS, TYPE III

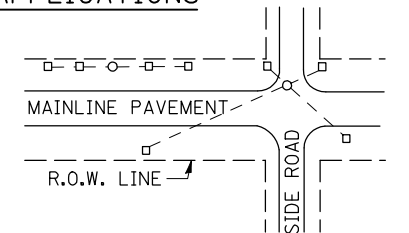


66700505 – PERMANENT SURVEY MARKERS, TYPE IV

TO BE INSTALLED IN PAVEMENT OR TURF AREAS WITHIN THE RIGHT-OF-WAY FOR PRESERVING LAND SURVEY MONUMENTS (SECTION OR SUBSECTION CORNERS) UNDER DIRECTION OF THE CHIEF OF SURVEYS



TYPICAL APPLICATIONS



SYMBOLS

- CROSS TIE MARKER
- MONUMENT

NOTE:
THE CONTRACT UNIT PRICE FOR PERMANENT SURVEY MARKERS, TYPE IV, WILL BE PAYMENT IN FULL FOR FURNISHING, INSTALLING, AND PERMANENTLY MARKING ONE MONUMENT AND FURNISHING AND INSTALLING FOUR CROSS TIE MARKERS AT THE LOCATIONS SPECIFIED. THE DESIGN CHIEF OF SURVEYS MUST BE CONTACTED FOR SUPERVISION OF THE PLACEMENT AND CONSTRUCTION OF THESE ITEMS.

Note: All dimensions are in INCHES (millimeters) unless otherwise shown.

FILE NAME =	USER NAME = craigre	DESIGNED -	REVISED - 11/06
ct:\pw\work\PWIDOT\CRAIGRE\0101509\66700110.dgn		DRAWN -	REVISED -
		CHECKED -	REVISED -
		DATE -	REVISED -

**STATE OF ILLINOIS
DEPARTMENT OF TRANSPORTATION**

PERMANENT SURVEY MARKERS (TYPE IV AND ADJUSTED)				
SCALE:	SHEET NO.	OF SHEETS	STA.	TO STA.

DISTRICT 5 DETAIL NO. 66700AAA				
F.A. RTE.	SECTION	COUNTY	TOTAL SHEETS	SHEET NO.
CONTRACT NO.				
FED. ROAD DIST. NO. ILLINOIS FED. AID PROJECT				