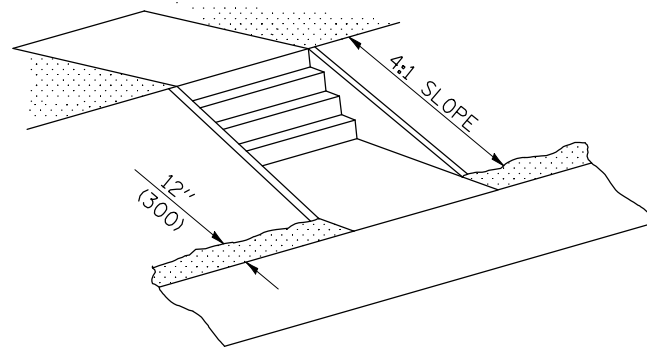
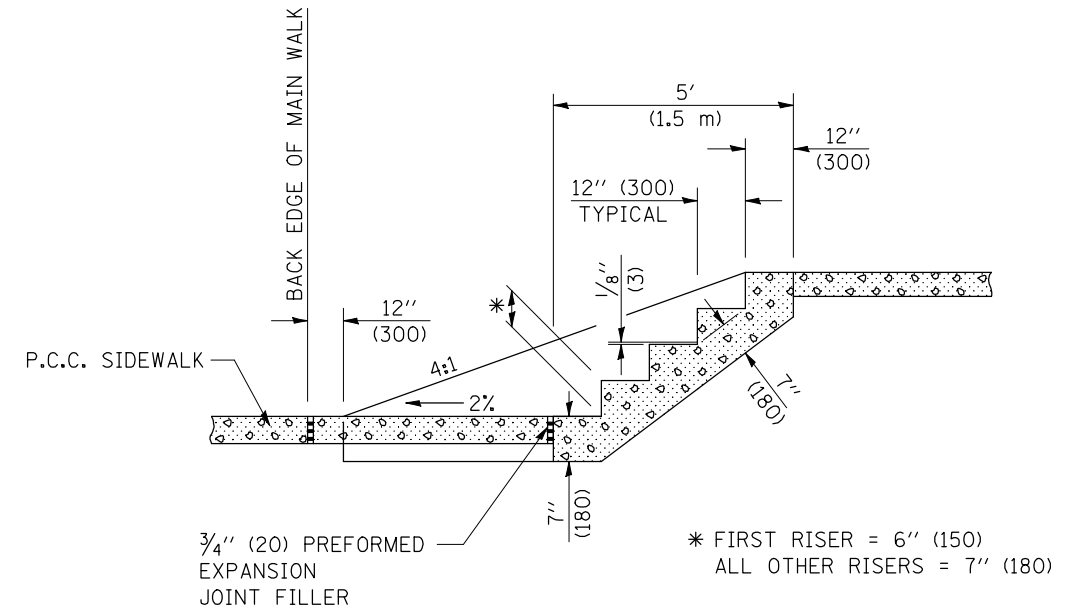


PLAN

COMBINATION CONCRETE CURB AND GUTTER

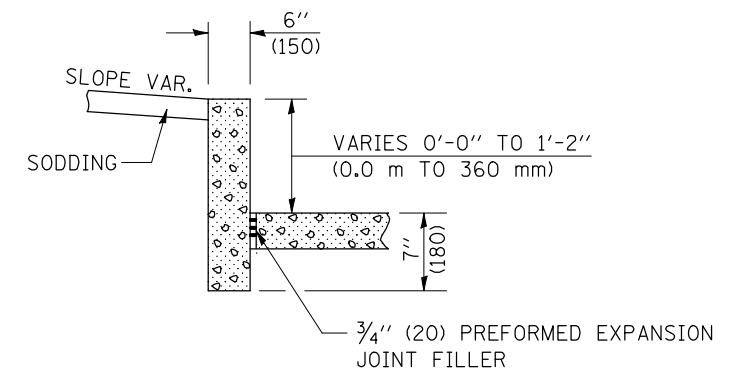


ISOMETRIC



SECTION A-A

* FIRST RISER = 6" (150)
ALL OTHER RISERS = 7" (180)



SECTION THROUGH WALL

GENERAL NOTES

1. CLASS SI CONCRETE SHALL BE USED THROUGHOUT.
2. THIS WORK WILL BE PAID FOR AT THE CONTRACT UNIT PRICE PER CUBIC YARD (CUBIC METER) FOR CLASS SI CONCRETE (MISCELLANEOUS) WHICH PRICE SHALL BE PAYMENT IN FULL FOR ALL MATERIAL AND LABOR, INCLUDING EXCAVATION AND PREFORMED EXPANSION JOINT FILLER TO COMPLETE THE WORK. NO WELDED WIRE FABRIC IS REQUIRED.

ESTIMATED QUANTITY

2.1 CU. YD. (1.6 m³) CLASS SI CONCRETE (MISCELLANEOUS)

Note: All dimensions are in INCHES (millimeters) unless otherwise shown.

DISTRICT 5 DETAIL NO. X0325279

FILE NAME =	USER NAME = craigre	DESIGNED -	REVISED - 11/06
ct\pwwork\pwwid\craigre\d0101509\0325279.dgn		DRAWN -	REVISED -
	PLOT SCALE = 40.0000 ' / IN.	CHECKED -	REVISED -
	PLOT DATE = 1/7/2010	DATE -	REVISED -

**STATE OF ILLINOIS
DEPARTMENT OF TRANSPORTATION**

PORTLAND CEMENT CONCRETE SIDEWALK, STEPS

SCALE: SHEET NO. OF SHEETS STA. TO STA.

F.A. RTE.	SECTION	COUNTY	TOTAL SHEETS	SHEET NO.
CONTRACT NO.				
FED. ROAD DIST. NO. ILLINOIS FED. AID PROJECT				