

STATE OF ILLINOIS
DEPARTMENT OF TRANSPORTATION

**PROPOSED
HIGHWAY PLANS**

**FAP 301 (US 20)
SECTION (102VBR)BDR
PROJECT
BRIDGE REPAIR
MAINTENANCE OF TRAFFIC
JO DAVIESS COUNTY**

F.A. RTE.	SECTION	COUNTY	TOTAL SHEETS	SHEET NO.
301	(102VBR)BDR	JO DAVIESS	22	1
		ILLINOIS	CONTRACT NO. 64R26	

FOR INDEX OF SHEETS, SEE SHEET NO. 2

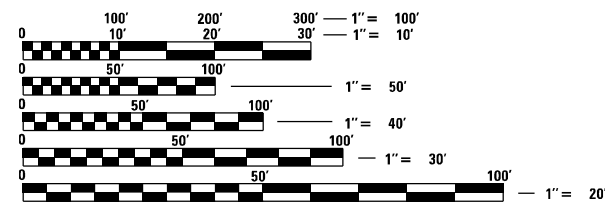
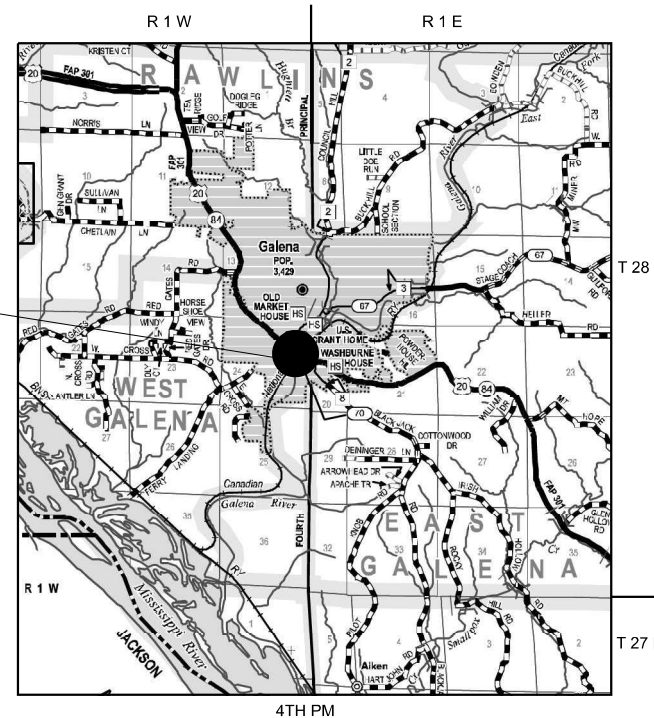
HOWARD J. HAMILTON, P.E. DATE
LICENSE EXPIRES 11/30/2025
SHEET RANGE 1 - 9

SCOTT T. WYATT, S.E. DATE
LICENSE EXPIRES 11/30/2024
SHEET RANGE 10 - 12



C-92-003-22

EXISTING STRUCTURE LOCATION
SN 043-0043 7-SPAN OVER THE
GALENA RIVER AND CC&P RAILROAD
CONCRETE GIRDER SUPERSTRUCTURE
WITH CLOSED ABUTS AND WALL PIERS.
BACK TO BACK LENGTH = 632'-0"
OUT TO OUT WIDTH = 41'-0"



FULL SIZE PLANS HAVE BEEN PREPARED USING STANDARD
ENGINEERING SCALES. REDUCED SIZED PLANS WILL NOT
CONFORM TO STANDARD SCALES. IN MAKING MEASUREMENTS
ON REDUCED PLANS, THE ABOVE SCALES MAY BE USED.

J.U.L.I.E.
JOINT UTILITY LOCATION INFORMATION FOR EXCAVATORS
1-800-892-0123
OR 811

PROJECT ENGINEER SCOTT WYATT, PE, SE
PROJECT MANAGER DERRICK LOPEZ, PE

GROSS LENGTH = 632.00 FT. = 0.120 MILE
NET LENGTH = 632.00 FT. = 0.120 MILE

CONTRACT NO. 64R26

STATE OF ILLINOIS
DEPARTMENT OF TRANSPORTATION

SUBMITTED August 9 20 24
Julia Thompson
REGIONAL ENGINEER

October 4, 2024
Scott E. A. [Signature]
ENGINEER OF DESIGN AND ENVIRONMENT

October 4, 2024
James [Signature]
DIRECTOR OF HIGHWAYS PROJECT IMPLEMENTATION

**PRINTED BY THE AUTHORITY
OF THE STATE OF ILLINOIS**

SHEET INDEX

- 1. COVER
- 2. GENERAL NOTES/ CONSTRUCTION SEQUENCE/GEN NOTES/MOT PLAN INDEX
- 3-4. SUMMARY OF QUANTITIES
- 5. STAGING TYPICAL SECTION
- 6. MAINTENANCE OF TRAFFIC PLAN WEST APPROACH ALL STAGES
- 7. MAINTENANCE OF TRAFFIC PLAN STAGE 1A
- 8. MAINTENANCE OF TRAFFIC PLAN STAGE 1B
- 9. MAINTENANCE OF TRAFFIC PLAN STAGE 2
- 10. MAINTENANCE OF TRAFFIC STAGE 1A INTERSECTION DETAIL
- 11. PLAN AND ELEVATION
- 12-13. DECK PLAN SHEET
- 14-17. DISTRICT 2 STANDARD 34.1
- 18-21. DISTRICT 2 STANDARD 41.1
- 22. DISTRICT 2 STANDARD 55.1

STATE HIGHWAY STANDARDS

- 000001-08 STANDARD SYMBOLS, ABBREVIATIONS AND PATTERNS
- 701006-05 OFF-RD OPERATIONS, 2L, 2W, 15' TO 24" FROM PAVEMENT EDGE
- 701301-04 LANE CLOSURE, 2L, 2W, SHORT TIME OPERATIONS
- 701311-03 LANE CLOSURE, 2L, 2W, MOVING OPERATIONS-DAY ONLY
- 701321-18 LANE CLOSURE, 2L, 2W, BRIDGE REPAIR WITH BARRIER
- 701501-06 URBAN LANE CLOSURE, 2L, 2W, UNDIVIDED
- 701801-06 SIDEWALK, CORNER, OR CROSSWALK CLOSURE
- 701901-09 TRAFFIC CONTROL DEVICES
- 704001-08 TEMPORARY CONCRETE BARRIER
- 780001-05 TYPICAL PAVEMENT MARKINGS
- 782006-01 GUARDRAIL AND BARRIER WALL REFLECTOR MOUNTING DETAILS

MAINTENANCE OF TRAFFIC GENERAL NOTES

1. THE MAINTENANCE OF TRAFFIC CONTROL (MOT) PLANS SHALL SERVE AS A GUIDE FOR SAFE DIVERSION OF TRAFFIC DURING EXECUTION OF THIS CONTRACT. HOWEVER, THE CONTRACTOR MAY MODIFY THE MOT PLANS TO MEET CONSTRUCTION NEEDS, BUT NOT AT THE EXPENSE OF PUBLIC SAFETY OR CONVENIENCE. ANY CHANGES TO THE MOT PLANS SHALL BE SUBMITTED TO THE ENGINEER FOR APPROVAL.
2. THE ENGINEER SHALL BE INFORMED 48 HOURS IN ADVANCE OF ANY PROPOSED CHANGE TO THE MOT PLANS.
3. ALL EXISTING PAVEMENT MARKINGS IN CONFLICT WITH THE MAINTENANCE OF TRAFFIC STRIPING SHALL BE REMOVED TO THE LIMITS SHOWN IN THE PLANS.
4. ALL TEMPORARY PAVEMENT MARKING WHICH CONFLICTS WITH THE NEXT STAGE OR FINAL STRIPING SHALL BE REMOVED TO THE LIMITS SPECIFIED IN THE PLANS AND IN THE SCHEDULES OF PAVEMENT MARKING.
5. ALL TRAFFIC CONTROL DEVICES USED FOR THE MAINTENANCE OF TRAFFIC, AS DETAILED ON THE PLANS OR HIGHWAY STANDARD, SHALL BE REFLECTORIZED PRIOR TO INSTALLATION AND CLEANED AS SPECIFIED IN THE MAINTENANCE OF TRAFFIC SPECIAL PROVISIONS OR AS DIRECTED BY THE ENGINEER.
6. ALL DRUMS, VERTICAL PANELS AND BARRICADES ADJACENT TO THE EDGE OF TRAVELED WAY SHALL BE EQUIPPED WITH BI-DIRECTIONAL STEADY-BURNING LIGHTS.
7. ALL EXISTING SIGNS WITHIN MAINTENANCE OF TRAFFIC LIMITS WHICH ARE OBSCURED BY OR INTERFERE WITH CONSTRUCTION OPERATIONS AND MAINTENANCE OF TRAFFIC, SHALL BE COVERED OR REMOVED BY THE CONTRACTOR UNLESS SPECIFIED IN THE PLANS OR WHEN DIRECTED BY THE ENGINEER. THIS WORK SHALL BE IN ACCORDANCE WITH ARTICLE 107.25 OF THE IDOT STANDARD SPECIFICATIONS.
8. A FULL DEPTH SAWCUT WILL BE REQUIRED BETWEEN PAVEMENT, CURB AND/OR GUTTER TO REMAIN AND PAVEMENT, CURB AND/OR GUTTER TO BE REMOVED PRIOR TO BEGINNING OF REMOVAL WORK. COST TO BE INCLUDED WITH APPLICABLE REMOVAL ITEMS.
9. AS AN ADDITIONAL SOURCE OF INFORMATION IF NEEDED, ORIGINAL CONSTRUCTION SECTION NUMBER FOR STRUCTURE NUMBER 0043-0043 IS 102 VBR.
10. STATIONING AND ALIGNMENT IS BASED ON ILLINOIS DEPARTMENT OF TRANSPORTATION SURVEY COMPLETED AFTER THE ORIGINAL CONSTRUCTION SECTIONS.
11. THE CONTRACTOR SHALL CONTACT THE IDOT DISTRICT 2 ENGINEER AT (815)284-2271 A MINIMUM OF 72 HOURS IN ADVANCE OF BEGINNING WORK.
12. CALL JULIE FOR UTILITY LOCATION INFORMATION AT 1-800-892-0123 OR 811. IDOT IS NOT A MEMBER OF JULIE. IDOT FACILITIES ARE LOCATED BY THE CITY OF GALENA AT THE PROJECT SITE. IF YOU ARE NEAR OVERHEAD LIGHTING, INTERSECTION LIGHTING, OR TRAFFIC SIGNALS, CONTACT THE CITY OF GALENA AT 1-815-777-1050 AT LEAST 48 HOURS PRIOR TO WORK.

SUGGESTED MAINTENANCE OF TRAFFIC SEQUENCING

STAGE 1A

INSTALL ADVANCE WARNING SIGNS ON SIDE ROADS AND ON THE US 20 APPROACHES TO STAGED CONSTRUCTION.

INSTALL TEMPORARY SIGNALS AT THE EAST END OF SN 043-0043 AT THE LOCATIONS SHOWN IN THE PLANS. INTERCONNECT THEM WITH THE EXISTING SIGNALS AT THE WEST END OF SN 043-0043.

INSTALL ALL STAGE 1A CONSTRUCTION TRAFFIC CONTROL SIGNS, TEMPORARY CONCRETE BARRIER, ATTENUATORS, DRUMS, BARRICADES, AND TEMPORARY PAVEMENT MARKINGS AS DETAILED IN STAGE 1A PLANS AND APPROPRIATE STANDARD DRAWINGS.

MOVE ALL TRAFFIC TO THE SOUTH 16' OF THE BRIDGE ROADWAY WIDTH AS SHOWN IN THE PLANS.

INSTALL SIGNS, BARRICADES, AND TEMPORARY RAMP FOR SIDEWALK DETOUR. CLOSE PORTION OF SIDEWALK WITHIN THE STAGE 1A WORK AREA.

COORDINATE WORK TO BE COMPLETED IN THIS STAGE WITH DETAILS IN THE BRIDGE PLANS.

STAGE 1B

RELOCATE BARRICADES FOR SIDEWALK DETOUR TO NORTH BRIDGE PARAPET. REMOVE SIDEWALK DETOUR SIGNS AND TEMPORARY RAMP, AND RE-OPEN EXISTING SIDEWALK TO PEDESTRIAN TRAFFIC.

ALL OTHER STAGE 1A MAINTENANCE OF TRAFFIC TO REMAIN IN PLACE UNLESS OTHERWISE DIRECTED BY THE ENGINEER.

COORDINATE WORK TO BE COMPLETED IN THIS STAGE WITH DETAILS IN THE BRIDGE PLANS.

STAGE 2

RELOCATE ATTENUATORS AND TEMPORARY BARRIER WALL TO LOCATIONS DETAILED IN STAGE 2 PLANS. INSTALL ALL STAGE 2 TRAFFIC CONTROL SIGNS, DRUMS, BARRICADES, AND TEMPORARY PAVEMENT MARKINGS AS DETAILED IN STAGE 2 PLANS AND APPROPRIATE STANDARD DRAWINGS.

MOVE ALL TRAFFIC TO THE NORTH 16' OF THE BRIDGE ROADWAY WIDTH AS SHOWN IN THE PLANS.

COORDINATE WORK TO BE COMPLETED IN THIS STAGE WITH DETAILS IN THE BRIDGE PLANS.

POST STAGE

REMOVE ALL CONSTRUCTION TRAFFIC CONTROL AND TEMPORARY CONSTRUCTION ITEMS.

REMOVE ANY REMAINING TEMPORARY PAVEMENT MARKINGS.

INSTALL PERMANENT PAVEMENT MARKINGS AS SHOWN IN THE PLANS.

MODEL: General notes (Sheet) FILE NAME: L:\38008 KPF\8008.002 PTB 195-018 Bridge Rehab (20911)\Civil\03 CAD\01 Model\126426-sh1-gennote.dgn



USER NAME = mbutling	DESIGNED - MGB	REVISED -
	DRAWN - MGB	REVISED -
	CHECKED - HJH	REVISED -
PLOT DATE = 8/2/2024	DATE -	REVISED -

**STATE OF ILLINOIS
DEPARTMENT OF TRANSPORTATION**

**US 20 CROSSING THE GALENA RIVER AND CC&P RR
SHEET INDEX, GENERAL NOTES, CONSTRUCTION SEQUENCING**

F.A.P RTE.	SECTION	COUNTY	TOTAL SHEETS	SHEET NO.
301	(102VBR)BDR	JO DAVIESS	22	2
CONTRACT NO. 64R26				
			ILLINOIS	FED. AID PROJECT

SCALE: SHEET 1 OF 1 SHEETS STA. TO STA.

SUMMARY OF QUANTITIES

CONSTRUCTION CODE

80% FEDERAL 20% STATE

CODE NO.	ITEM	UNIT	TOTAL QUANTITY	BRIDGE	
				SN 043-0043	
67100100	MOBILIZATION	L SUM	1	1	
70100405	TRAFFIC CONTROL AND PROTECTION, STANDARD 701321	EACH	2	2	
70102620	TRAFFIC CONTROL AND PROTECTION, STANDARD 701501	L SUM	1	1	
70102640	TRAFFIC CONTROL AND PROTECTION, STANDARD 701801	L SUM	1	1	
70107025	CHANGEABLE MESSAGE SIGN	CAL DA	60	60	
70307120	TEMPORARY PAVEMENT MARKING - LINE 4" - TYPE IV TAPE	FOOT	3199	3199	
70307210	TEMPORARY PAVEMENT MARKING - LINE 24" - TYPE IV TAPE	FOOT	12	12	
70300150	SHORT TERM PAVEMENT MARKING REMOVAL	SQ FT	958	958	
70400100	TEMPORARY CONCRETE BARRIER	FOOT	525	525	
70400200	RELOCATE TEMPORARY CONCRETE BARRIER	FOOT	525	525	
70600241	IMPACT ATTENUATORS, TEMPORARY (NON- REDIRECTIVE, NARROW), TEST LEVEL 2	EACH	2	2	
70600341	IMPACT ATTENUATORS, RELOCATE (NON- REDIRECTIVE, NARROW), TEST LEVEL 2	EACH	2	2	
* 78009004	MODIFIED URETHANE PAVEMENT MARKING - LINE 4"	FOOT	1700	1700	
* 78009008	MODIFIED URETHANE PAVEMENT MARKING - LINE 8"	FOOT	115	115	

*= SPECIALTY ITEM

MODEL: Default
 FILE NAME: L:\8008\KPF18008.002\PTB_195-018_Bridge_Rehab_(20511)\Civil\03_CAD\01_Model\02\64R26-sh-S001.dgn



USER NAME = mbutling	DESIGNED - MGB	REVISED -
	DRAWN - MGB	REVISED -
	CHECKED - HJH	REVISED -
PLOT DATE = 5/20/2024	DATE -	REVISED -

**STATE OF ILLINOIS
DEPARTMENT OF TRANSPORTATION**

**US 20 CROSSING THE GALENA RIVER AND CC&P RR
SUMMARY OF QUANTITIES**

SCALE: N.A. SHEET 1 OF 2 SHEETS STA. TO STA.

F.A.P. RTE. 301	SECTION (102VBR)BDR	COUNTY JO DAVIESS	TOTAL SHEETS 22	SHEET NO. 3
CONTRACT NO. 64R26			ILLINOIS FED. AID PROJECT	

				CONSTRUCTION CODE		
				80% FEDERAL 20% STATE		
CODE NO.	ITEM	UNIT	TOTAL QUANTITY	BRIDGE		
				SN 043-0043		
* 78009012	MODIFIED URETHANE PAVEMENT MARKING - LINE 12"	FOOT	27	27		
* 78009024	MODIFIED URETHANE PAVEMENT MARKING - LINE 24"	FOOT	12	12		
* 78011025	GROOVING FOR RECESSED PAVEMENT MARKING 5"	FOOT	1700	1700		
* 78011045	GROOVING FOR RECESSED PAVEMENT MARKING 9"	FOOT	115	115		
* 78011125	GROOVING FOR RECESSED PAVEMENT MARKING 25"	FOOT	12	12		
78300202	PAVEMENT MARKING REMOVAL-WATER BLASTING	SQ FT	322	322		
* 85000200	MAINTENANCE OF EXISTING TRAFFIC SIGNAL INSTALLATION	EACH	1	1		
89000100	TEMPORARY TRAFFIC SIGNAL INSTALLATION	EACH	1	1		
X0322102	TEMPORARY SIDEWALK RAMP	EACH	1	1		
X0325938	TEMPORARY WIRELESS INTERCONNECT, COMPLETE	L SUM	1	1		
* X7820007	GUARDRAIL REFLECTORS, TYPE C (SPECIAL)	EACH	56	56		
Z0016200	DECK SLAB REPAIR (PARTIAL)	SQ YD	419	419		
Z0048665	RAILROAD PROTECTIVE LIABILITY INSURANCE	L SUM	1	1		

* = SPECIALTY ITEM

MODEL: ###
FILE NAME: C:\Users\scott\Documents\10042100461 - WO 3 64R26 Job\Drawings\Submittals\15-241D264R26-Galena wo 3\0264R26-shl-SC02.dgn

Environmental Design International inc.
Civil, Survey, Environmental and Construction Inspection Services
33 W. MONROE STREET, SUITE 1025, CHICAGO, IL 60603
Ph: (312) 345-1400 Fax: (312) 345-5252 www.edi-int.com

USER NAME = mbutling	DESIGNED - MGB	REVISED -
	DRAWN - MGB	REVISED -
	CHECKED - HJH	REVISED -
PLOT DATE = 8/5/2024	DATE -	REVISED -

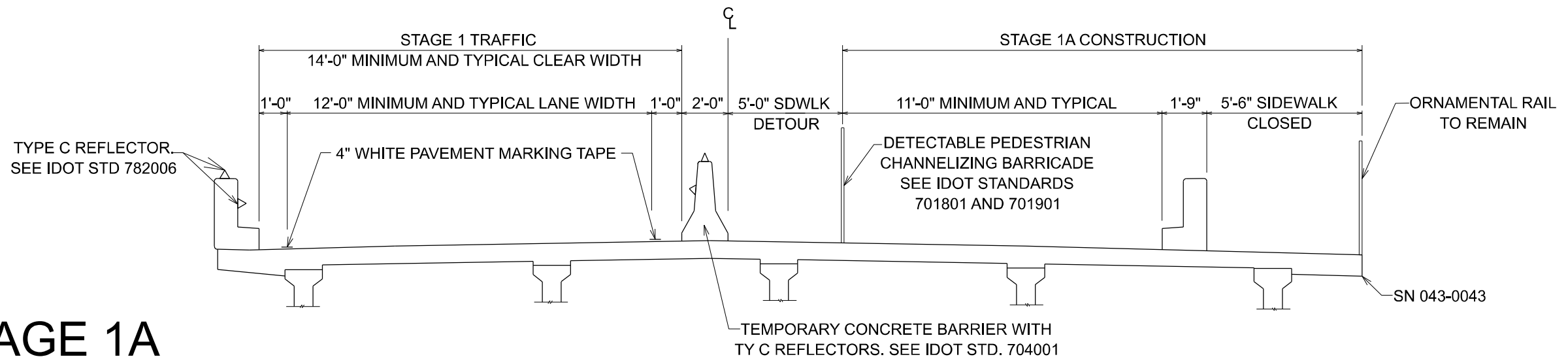
STATE OF ILLINOIS
DEPARTMENT OF TRANSPORTATION

US 20 CROSSING THE GALENA RIVER AND CC&P RR
SUMMARY OF QUANTITIES

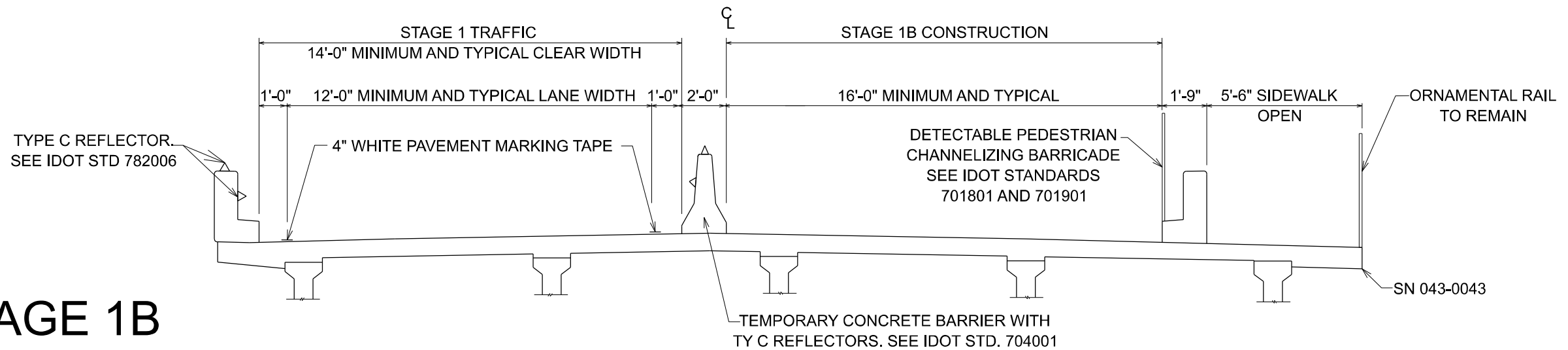
SCALE: N.A. SHEET 2 OF 2 SHEETS STA. TO STA.

F.A.P. RTE.	SECTION	COUNTY	TOTAL SHEETS	SHEET NO.
301	(102VBR)BDR	JO DAVIESS	22	4
			CONTRACT NO. 64R26	
ILLINOIS FED. AID PROJECT				

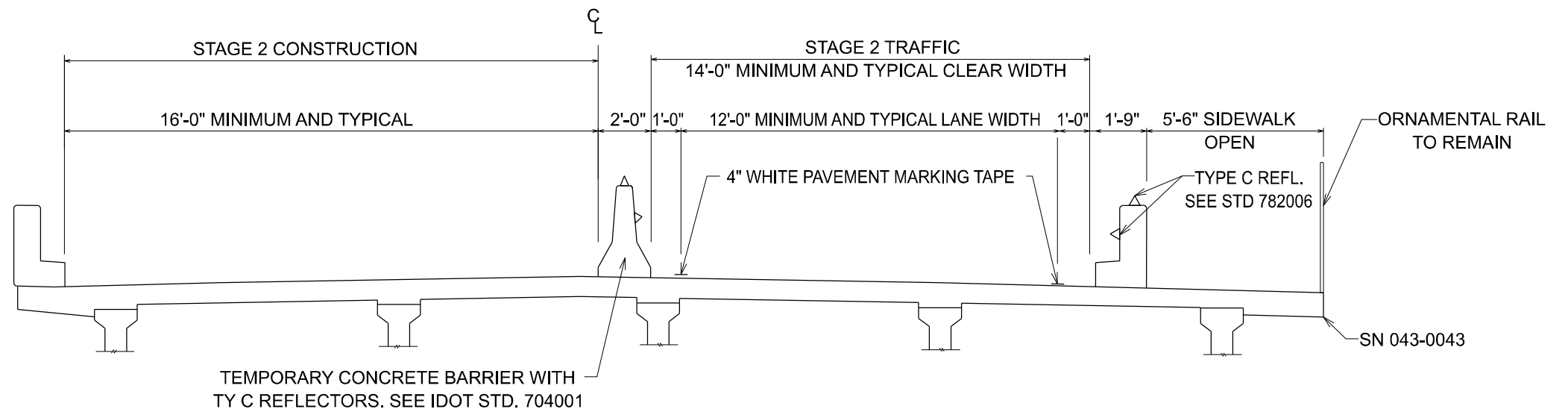
STAGE 1A



STAGE 1B



STAGE 2



MODEL: D264R26-TYPSEC-MOT (Sheet)
 FILE NAME: L:\38008.KP\FE\8008.002.PTB_195-018 Bridge Rehab (20911)\Civil\03 CAD\01 Model\ID264R26-sh2-typical-mot.dgn

EDI Excellence. Dedication. Innovation.
 Environmental Design International Inc.
 Civil, Survey, Environmental and Construction Inspection Services
 23 W. MONROE STREET, SUITE 1025, CHICAGO, IL 60603
 PH: (312) 345-1400 FAX: (312) 345-0529 www.edienv.com

USER NAME = mbuiting	DESIGNED - MGB	REVISED -
	DRAWN - MGB	REVISED -
	CHECKED - HJH	REVISED -
PLOT DATE = 7/29/2024	DATE -	REVISED -

STATE OF ILLINOIS
DEPARTMENT OF TRANSPORTATION

US 20 CROSSING THE GALENA RIVER AND CC&P RR
MAINTENANCE OF TRAFFIC TYPICAL SECTION

SCALE: NTS SHEET 1 OF 1 SHEETS STA. TO STA.

F.A.P. RTE.	SECTION	COUNTY	TOTAL SHEETS	SHEET NO.
301	(102VBR)BDR	JO DAVIESS	22	5
CONTRACT NO. 64R26				
ILLINOIS FED. AID PROJECT				

MODEL: EXCL15-9 (Sheet)
 FILE NAME: L:\38008_KPFF\8008.002_PTB_195-018 Bridge Rehab (20911)\Civil\03 CAD\01 Model\1264R26-staging.dgn



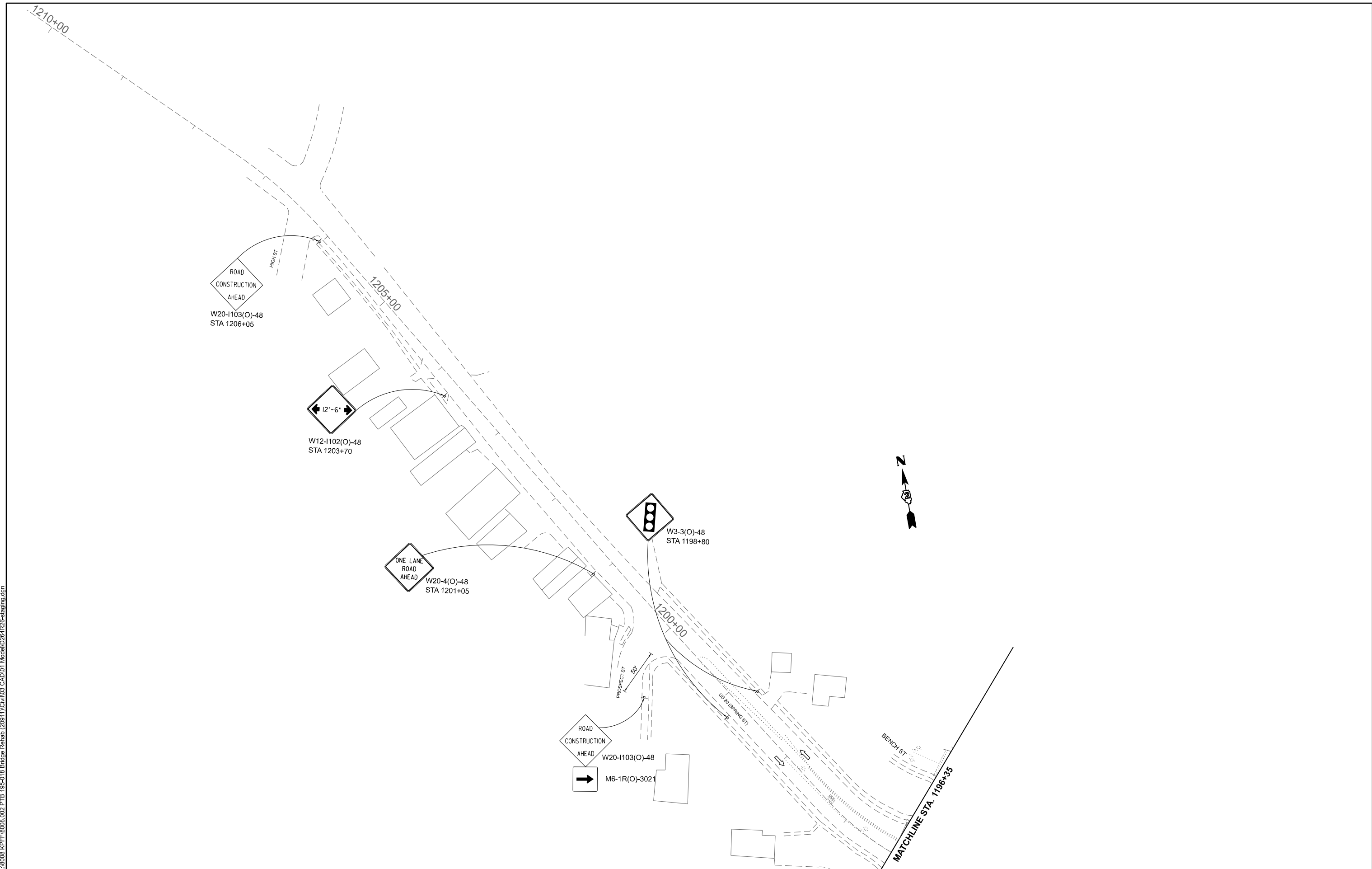
USER NAME = mbuiting	DESIGNED - MGB	REVISED -
	DRAWN - MGB	REVISED -
	CHECKED - HJH	REVISED -
PLOT DATE = 8/5/2024	DATE -	REVISED -

**STATE OF ILLINOIS
 DEPARTMENT OF TRANSPORTATION**

**US 20 CROSSING THE GALENA RIVER AND CC&P RR
 MAINTENANCE OF TRAFFIC PLAN WEST APPROACH ALL STAGES**

SCALE: 1"=50' SHEET 1 OF 4 SHEETS STA. 1196+35 TO STA. 1210+00

F.A.P. RTE.	SECTION	COUNTY	TOTAL SHEETS	SHEET NO.
301	(102VBR)BDR	JO DAVIESS	22	6
CONTRACT NO. 64R26				
ILLINOIS FED. AID PROJECT				



SCHEDULE OF TEMPORARY CONCRETE BARRIER AND REFLECTORS

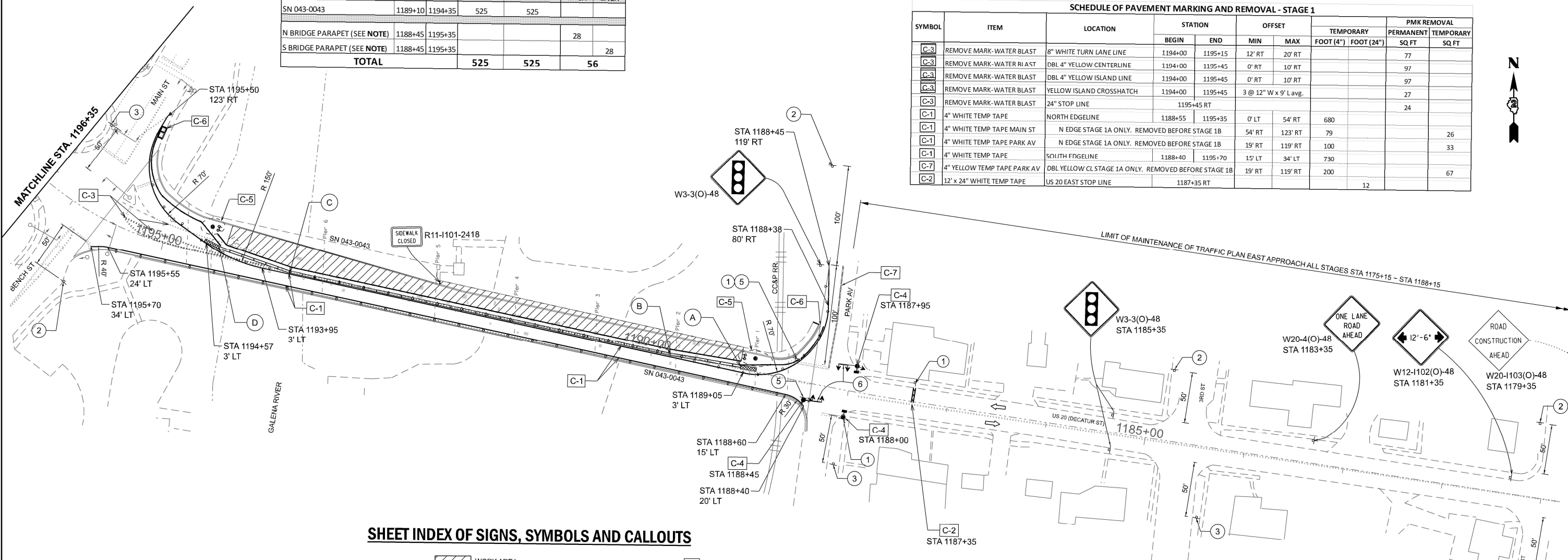
LOCATION	STATION		TEMPORARY CONC BARRIER		REFL, TY C (SPEC)	
	BEGIN	END	SET STAGE 1	RELOC STAGE 2	BRIDGE PARAPET	
			FOOT	FOOT	STAGE 1	STAGE 2
SN 043-0043	1189+10	1194+35	525	525		
N BRIDGE PARAPET (SEE NOTE)	1188+45	1195+35			28	
S BRIDGE PARAPET (SEE NOTE)	1188+45	1195+35				28
TOTAL			525	525	56	

TEMP. BARRIER WALL OFFSETS

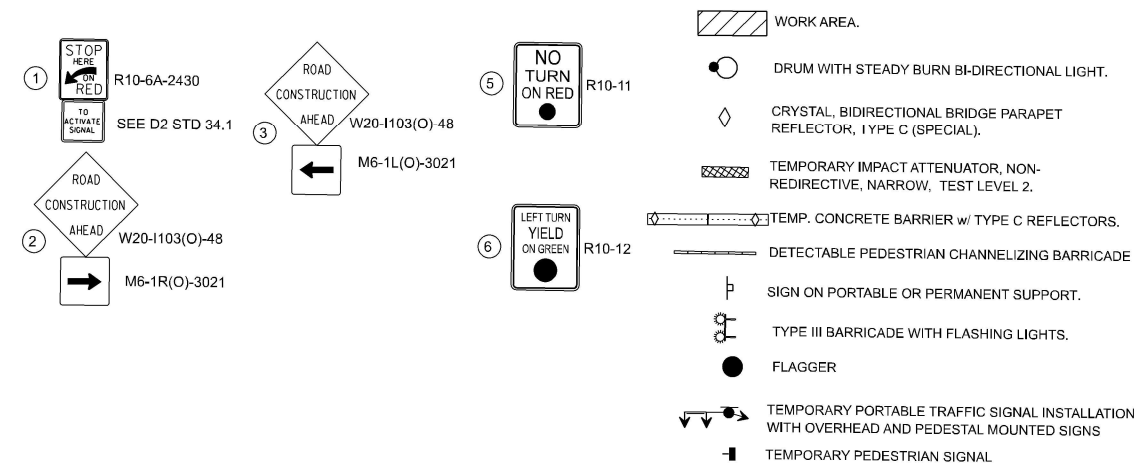
A	STA 1189+10.5	1.0' RIGHT
B	STA 1189+85.5	1.0' LEFT
C	STA 1193+73	1.0' LEFT
D	STA 1194+35.5	3.0' RIGHT

SCHEDULE OF PAVEMENT MARKING AND REMOVAL - STAGE 1

SYMBOL	ITEM	LOCATION	STATION		OFFSET		PMK REMOVAL				
			BEGIN	END	MIN	MAX	TEMPORARY		PERMANENT	TEMPORARY	
							FOOT (4")	FOOT (24")			SQ FT
C-3	REMOVE MARK-WATER BLAST	8" WHITE TURN LANE LINE	1194+00	1195+15	12' RT	20' RT				77	
C-3	REMOVE MARK-WATER BLAST	DBL 4" YELLOW CENTERLINE	1194+00	1195+45	0' RT	10' RT				97	
C-3	REMOVE MARK-WATER BLAST	DBL 4" YELLOW ISLAND LINE	1194+00	1195+45	0' RT	10' RT				97	
C-3	REMOVE MARK-WATER BLAST	YELLOW ISLAND CROSSHATCH	1194+00	1195+45	3 @ 12" W x 9' L Avg.					27	
C-3	REMOVE MARK-WATER BLAST	24" STOP LINE	1195+45 RT							24	
C-1	4" WHITE TEMP TAPE	NORTH EDGELINE	1188+55	1195+35	0' LT	54' RT	680				
C-1	4" WHITE TEMP TAPE MAIN ST	N EDGE STAGE 1A ONLY. REMOVED BEFORE STAGE 1B			54' RT	123' RT	79				26
C-1	4" WHITE TEMP TAPE PARK AV	N EDGE STAGE 1A ONLY. REMOVED BEFORE STAGE 1B			19' RT	119' RT	100				33
C-1	4" WHITE TEMP TAPE	SOUTH EDGELINE	1188+40	1195+70	15' LT	34' LT	730				
C-7	4" YELLOW TEMP TAPE PARK AV	DBL YELLOW CL STAGE 1A ONLY. REMOVED BEFORE STAGE 1B			19' RT	119' RT	200				67
C-2	12' x 24" WHITE TEMP TAPE	US 20 EAST STOP LINE	1187+35 RT							12	



SHEET INDEX OF SIGNS, SYMBOLS AND CALLOUTS



- C-1 PAVEMENT MARKING TAPE, TYPE IV, 4" WHITE.
- C-2 PAVEMENT MARKING TAPE, TYPE IV, 24" WHITE.
- C-3 PAVEMENT MARKING REMOVAL-WATER BLASTING.
- C-4 TEMPORARY PORTABLE TRAFFIC SIGNAL INSTALLATION.
- C-5 DURING STAGE 1A, DETECTABLE PEDESTRIAN CHANNELIZING BARRICADE MAY BE OPENED AT STA 1188+85-STA 1189+35 AND STA 1194+35-1194+85 TO ALLOW CONSTRUCTION TRAFFIC ACCESS TO THE WORK ZONE. OPENING(S) MUST BE FLAGGED AT ALL TIMES TO AVOID CONFLICTS BETWEEN PEDESTRIAN AND CONSTRUCTION TRAFFIC, TO KEEP PEDESTRIAN TRAFFIC OUT OF THE WORK ZONE, AND TO ALLOW CONSTRUCTION TRAFFIC INTO AND OUT OF THE TRAFFIC FLOW.

DURING STAGE 1B, TYPE III BARRICADES TO BE USED WHEN NO WORK IS PERFORMED IN ACCORDANCE WITH STANDARD 701321 AFTER PEDESTRIAN CHANNELIZING BARRICADE HAS BEEN RELOCATED TO THE PARAPET WALL.

THIS WORK INCLUDED IN ITEMS "MAINTENANCE OF TRAFFIC CONTROL STD. 701321" AND "MAINTENANCE OF TRAFFIC CONTROL STD. 701801".
- C-6 SEE MOT INTERSECTION DETAIL FOR STAGE 1A PEDESTRIAN DETOUR INTERSECTION DETAILS.
- C-7 PAVEMENT MARKING TAPE, TYPE IV, 4" YELLOW (DOUBLE).

MODEL: EXCL15-6 (Sheet) FILE NAME: L:\38008.KPFP\8008.002.PTB_195-018.Bridge_Rehab_(20911)\C\03.CAD\01.ModelID264R26-staging.dgn

USER NAME = mibuiting	DESIGNED - MGB	REVISED -
	DRAWN - MGB	REVISED -
	CHECKED - HJH	REVISED -
PLOT DATE = 8/5/2024	DATE -	REVISED -

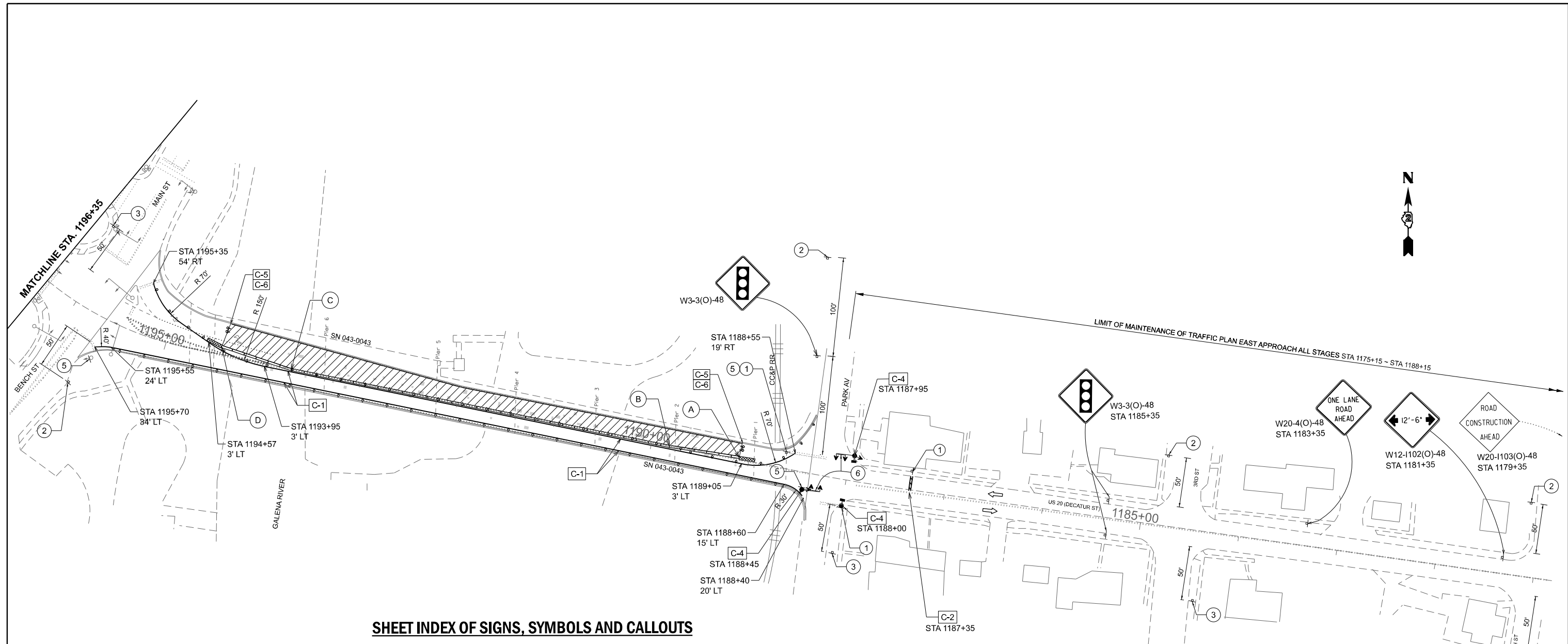
**STATE OF ILLINOIS
DEPARTMENT OF TRANSPORTATION**

**US 20 CROSSING GALENA RIVER AND CC&P RR
MAINTENANCE OF TRAFFIC PLANS STAGE 1A**

SCALE: 1"=50' SHEET 2 OF 4 SHEETS STA. 1180+15 TO STA. 1196+35

F.A.P RTE.	SECTION	COUNTY	TOTAL SHEETS	SHEET NO.
301	(102VBR)BDR	JO DAVIESS	22	7
CONTRACT NO. 64R26				
ILLINOIS FED. AID PROJECT				

MODEL: EXCL15-7 (Sheet)
 FILE NAME: L:\38008_KPFF\8008.002_PTB_195-018 Bridge Rehab (20911)\Civil\03 CAD\01 Model\264R26-staging.dgn



SHEET INDEX OF SIGNS, SYMBOLS AND CALLOUTS

- 1 STOP HERE ON RED TO ACTIVATE SIGNAL R10-6A-2430 SEE D2 STD 34.1
- 2 ROAD CONSTRUCTION AHEAD W20-1103(O)-48 M6-1R(O)-3021
- 3 ROAD CONSTRUCTION AHEAD W20-1103(O)-48 M6-1L(O)-3021
- 4 NO TURN ON RED R10-11
- 5 LEFT TURN YIELD ON GREEN R10-12
- WORK AREA.
- DRUM WITH STEADY BURN BI-DIRECTIONAL LIGHT.
- CRYSTAL, BIDIRECTIONAL BRIDGE PARAPET REFLECTOR, TYPE C (SPECIAL).
- TEMPORARY IMPACT ATTENUATOR, NON-REDIRECTIVE, NARROW, TEST LEVEL 2.
- TEMP. CONCRETE BARRIER w/ TYPE C REFLECTORS.
- DETECTABLE PEDESTRIAN CHANNELIZING BARRICADE
- SIGN ON PORTABLE OR PERMANENT SUPPORT.
- TYPE III BARRICADE WITH FLASHING LIGHTS.
- FLAGGER
- TEMPORARY PORTABLE TRAFFIC SIGNAL INSTALLATION WITH OVERHEAD AND PEDESTAL MOUNTED SIGNS
- TEMPORARY PEDESTRIAN SIGNAL
- C-1 PAVEMENT MARKING TAPE, TYPE IV, 4" WHITE.
- C-2 PAVEMENT MARKING TAPE, TYPE IV, 24" WHITE.
- C-4 TEMPORARY PORTABLE TRAFFIC SIGNAL INSTALLATION.
- C-5 DURING STAGE 1A, DETECTABLE PEDESTRIAN CHANNELIZING BARRICADE MAY BE OPENED AT STA 1188+85-STA 1189+35 AND STA 1194+35-1194+85 TO ALLOW CONSTRUCTION TRAFFIC ACCESS TO THE WORK ZONE. OPENING(S) MUST BE FLAGGED AT ALL TIMES TO AVOID CONFLICTS BETWEEN PEDESTRIAN AND CONSTRUCTION TRAFFIC, TO KEEP PEDESTRIAN TRAFFIC OUT OF THE WORK ZONE, AND TO ALLOW CONSTRUCTION TRAFFIC BACK INTO THE TRAFFIC FLOW. DURING STAGE 1B, TYPE III BARRICADES TO BE USED WHEN NO WORK IS PERFORMED IN ACCORDANCE WITH STANDARD 701321 AFTER PEDESTRIAN CHANNELIZING BARRICADE HAS BEEN RELOCATED TO THE PARAPET WALL. THIS WORK INCLUDED IN ITEMS "MAINTENANCE OF TRAFFIC CONTROL STD. 701321" AND "MAINTENANCE OF TRAFFIC CONTROL STD. 701801".
- C-6 DURING STAGE 1A DETECTABLE PEDESTRIAN CHANNELIZING DEVICE TO TERMINATE AT THE SIDEWALK RAMP. DURING STAGE 1B DETECTABLE PEDESTRIAN CHANNELIZING DEVICE TO TERMINATE AT THE END OF WORK ZONE.

NOTE: "SIDEWALK CLOSED" SIGNS AND BARRICADES AND SIDEWALK DETOUR SIGNS TO BE REMOVED. DETECTABLE PEDESTRIAN CHANNELIZING BARRICADES TO BE MOVED TO THE NORTH BRIDGE PARAPET FROM THEIR LOCATION IN STAGE 1A. ALL OTHER STAGE 1A MOT ITEMS ARE TO REMAIN IN PLACE.



USER NAME = mbutling	DESIGNED - MGB	REVISED -
	DRAWN - MGB	REVISED -
	CHECKED - HJH	REVISED -
PLOT DATE = 8/5/2024	DATE -	REVISED -

**STATE OF ILLINOIS
 DEPARTMENT OF TRANSPORTATION**

**US 20 CROSSING THE GALENA RIVER AND CC&P RR
 MAINTENANCE OF TRAFFIC PLAN STAGE 1B**

SCALE: 1"=50' SHEET 3 OF 4 SHEETS STA. 1180+15 TO STA. 1196+35

F.A.P. RTE. 301	SECTION (102VBR)BDR	COUNTY JO DAVIESS	TOTAL SHEETS 22	SHEET NO. 8
CONTRACT NO. 64R26				
ILLINOIS FED. AID PROJECT				

SCHEDULE OF TEMPORARY CONCRETE BARRIER AND REFLECTORS

LOCATION	STATION		TEMPORARY CONC BARRIER		REFL, TY C (SPEC)	
	BEGIN	END	SET STAGE 1	RELOC STAGE 2	BRIDGE PARAPET	
			FOOT	FOOT	STAGE 1	STAGE 2
SN 043-0043	1189+10	1194+35	525	525	EACH	EACH
N BRIDGE PARAPET (SEE NOTE)	1188+45	1195+35				28
S BRIDGE PARAPET (SEE NOTE)	1188+45	1195+35				28
TOTAL			525	525		56

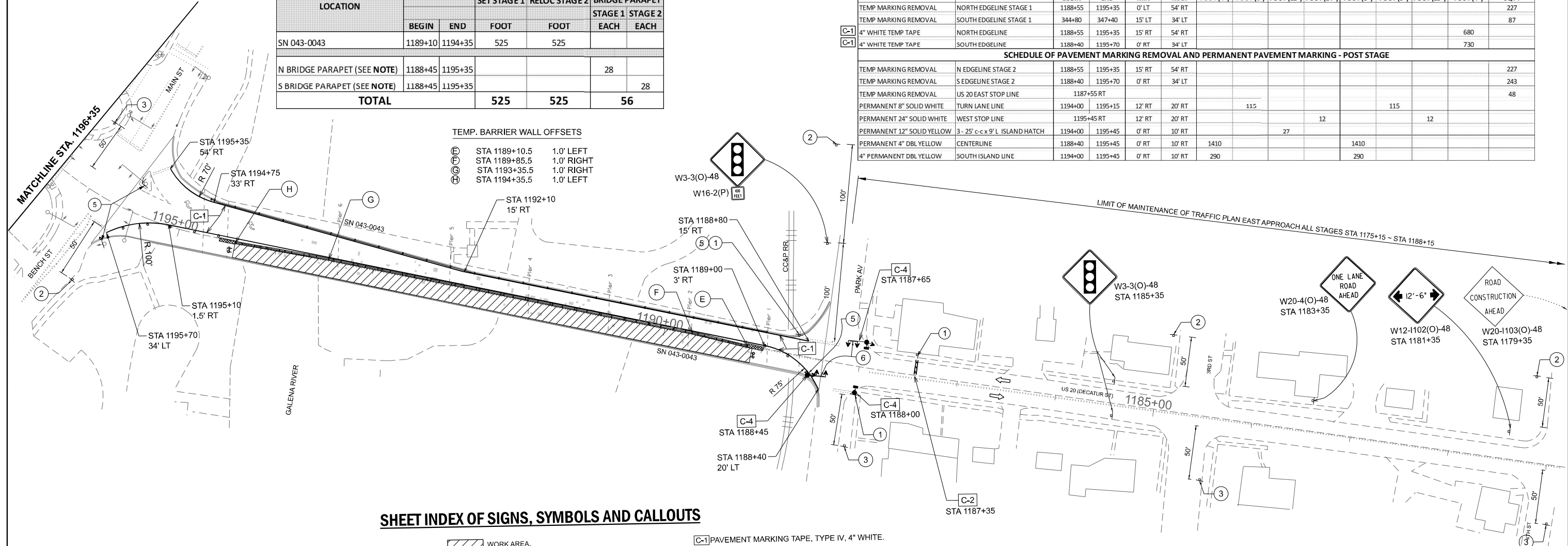
TEMP. BARRIER WALL OFFSETS

(E)	STA 1189+10.5	1.0' LEFT
(F)	STA 1189+85.5	1.0' RIGHT
(G)	STA 1193+35.5	1.0' RIGHT
(H)	STA 1194+35.5	1.0' LEFT

SCHEDULE OF PAVEMENT MARKING AND REMOVAL - STAGE 2

ITEM	LOCATION	STATION		OFFSET		PAVEMENT MARKING AND GROOVING						PMK REMOVAL		
		BEGIN	END	MIN	MAX	PERMANENT MARKING			GROOVING			TEMPORARY	TEMPORARY	
						FOOT (4")	FOOT (8")	FOOT (12")	FOOT (24")	FOOT (5")	FOOT (9")	FOOT (25")	FOOT (4")	SQ FT
TEMP MARKING REMOVAL	NORTH EDGELINE STAGE 1	1188+55	1195+35	0' LT	54' RT									227
TEMP MARKING REMOVAL	SOUTH EDGELINE STAGE 1	344+80	347+40	15' LT	34' LT									87
(C-1) 4" WHITE TEMP TAPE	NORTH EDGELINE	1188+55	1195+35	15' RT	54' RT								680	
(C-1) 4" WHITE TEMP TAPE	SOUTH EDGELINE	1188+40	1195+70	0' RT	34' LT								730	

SCHEDULE OF PAVEMENT MARKING REMOVAL AND PERMANENT PAVEMENT MARKING - POST STAGE														
ITEM	LOCATION	STATION		OFFSET		PAVEMENT MARKING AND GROOVING						PMK REMOVAL		
		BEGIN	END	MIN	MAX	PERMANENT MARKING			GROOVING			TEMPORARY	TEMPORARY	
						FOOT (4")	FOOT (8")	FOOT (12")	FOOT (24")	FOOT (5")	FOOT (9")	FOOT (25")	FOOT (4")	SQ FT
TEMP MARKING REMOVAL	N EDGELINE STAGE 2	1188+55	1195+35	15' RT	54' RT									227
TEMP MARKING REMOVAL	S EDGELINE STAGE 2	1188+40	1195+70	0' RT	34' LT									243
TEMP MARKING REMOVAL	US 20 EAST STOP LINE		1187+55 RT											48
PERMANENT 8" SOLID WHITE	TURN LANE LINE	1194+00	1195+15	12' RT	20' RT	115				115				
PERMANENT 24" SOLID WHITE	WEST STOP LINE		1195+45 RT	12' RT	20' RT							12		
PERMANENT 12" SOLID YELLOW	3-25' c-c x 9' L ISLAND HATCH	1194+00	1195+45	0' RT	10' RT		27							
PERMANENT 4" DBL YELLOW	CENTERLINE	1188+40	1195+45	0' RT	10' RT	1410				1410				
4" PERMANENT DBL YELLOW	SOUTH ISLAND LINE	1194+00	1195+45	0' RT	10' RT	290				290				



SHEET INDEX OF SIGNS, SYMBOLS AND CALLOUTS

(1) STOP HERE ON RED R10-6A-2430 SEE D2 STD 34.1 TO ACTIVATE SIGNAL	(3) ROAD CONSTRUCTION AHEAD W20-1103(O)-48 M6-1L(O)-3021	(5) NO TURN ON RED R10-11	(C-1) PAVEMENT MARKING TAPE, TYPE IV, 4" WHITE.
(2) ROAD CONSTRUCTION AHEAD W20-1103(O)-48 M6-1R(O)-3021	(4) ARROW BOARD	(6) LEFT TURN YIELD ON GREEN R10-12	(C-2) PAVEMENT MARKING TAPE, TYPE IV, 24" WHITE.
(Hatched Box) WORK AREA.	(Drum) DRUM WITH STEADY BURN BI-DIRECTIONAL LIGHT.	(Diamond) CRYSTAL BIDIRECTIONAL BRIDGE PARAPET REFLECTOR, TYPE C (SPECIAL).	(C-4) TEMPORARY PORTABLE TRAFFIC SIGNAL INSTALLATION.
(Hatched Box) TEMPORARY IMPACT ATTENUATOR, NON-REDIRECTIVE, TEST LEVEL 2.	(Sign on Post) SIGN ON PORTABLE OR PERMANENT SUPPORT.	(Barricade) TYPE III BARRICADE WITH FLASHING LIGHTS.	
(Sign on Post) TEMPORARY PORTABLE TRAFFIC SIGNAL INSTALLATION WITH OVERHEAD AND PEDESTAL MOUNTED SIGNS	(Pedestal) TEMPORARY PEDESTRIAN SIGNAL		



MODEL: EXCL15-8 (Sheet)
FILE NAME: L:\38008_KPFP\8008.002_PTB_195-018 Bridge Rehab (20911)\Civil\03 CAD\01 Model\264R26-staging.dgn

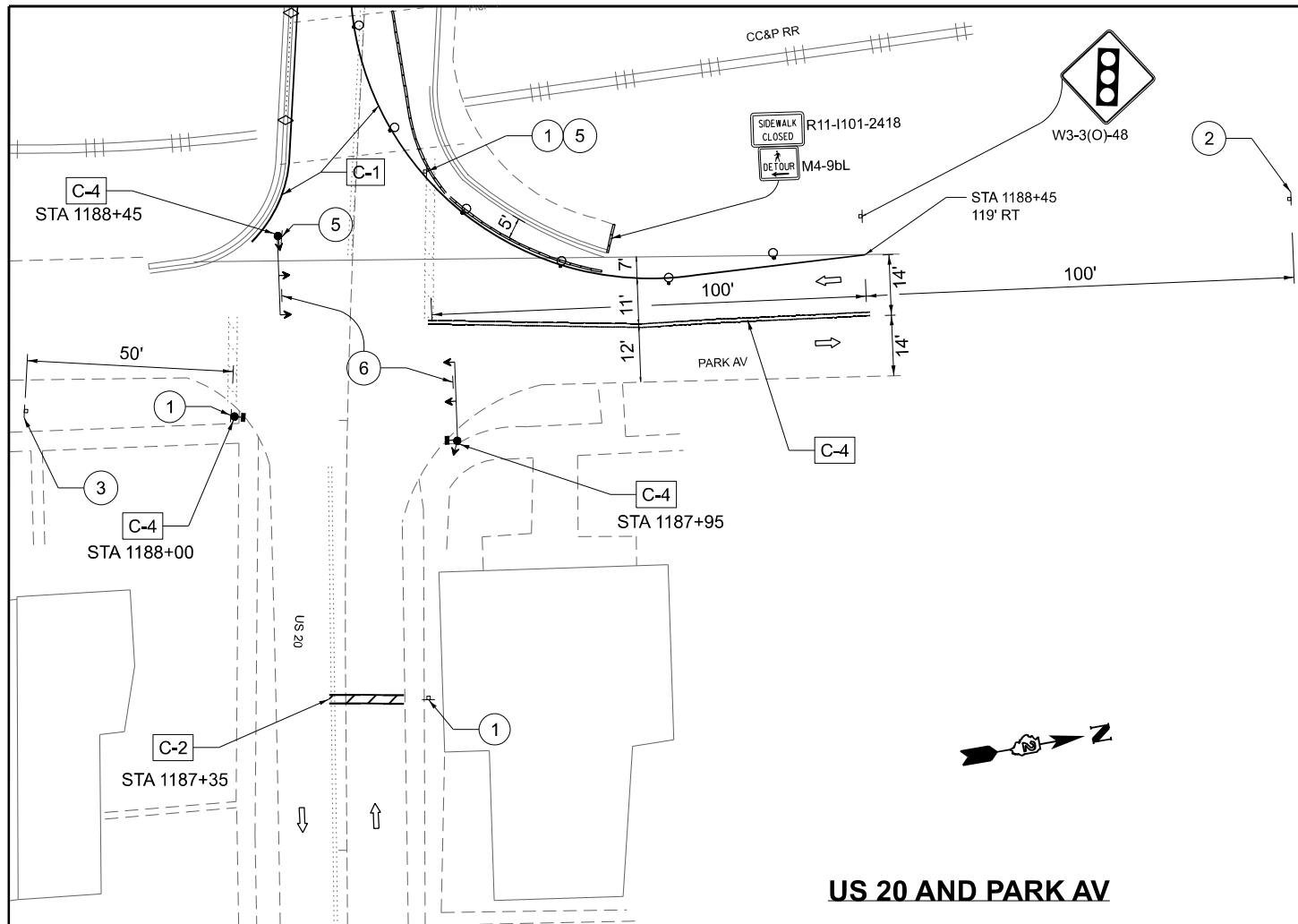
EDI Excellence. Dedication. Innovation.
Environmental Design International Inc.
Civil, Survey, Environmental and Construction Inspection Services
33 W. MONROE STREET, SUITE 1925 CHICAGO, IL 60603
PH: (312) 345-1400 FAX: (312) 345-0529 www.edienvdesign.com

USER NAME = mbuiting	DESIGNED -	REVISED -
	DRAWN -	REVISED -
	CHECKED -	REVISED -
PLOT DATE = 8/5/2024	DATE -	REVISED -

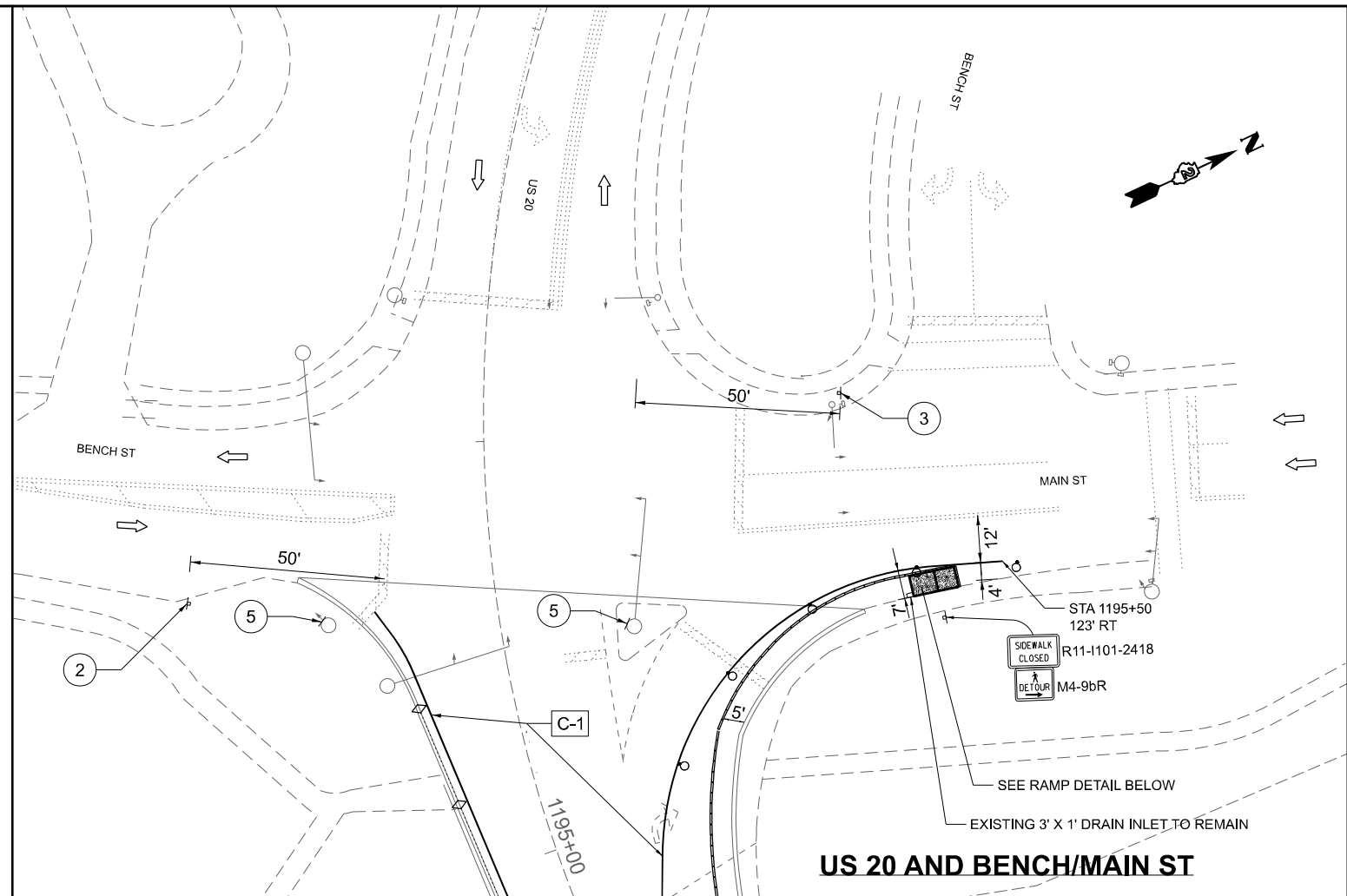
**STATE OF ILLINOIS
DEPARTMENT OF TRANSPORTATION**

**US 20 CROSSING THE GALENA RIVER AND CC&P RR
MAINTENANCE OF TRAFFIC PLAN STAGE 2**
SCALE: 1"=50'
SHEET 4 OF 4 SHEETS
STA. 1180+15 TO STA. 1196+35

F.A.P. RTE.	SECTION	COUNTY	TOTAL SHEETS	SHEET NO.
301	(102VBR)BDR	JO DAVIESS	22	9
CONTRACT NO. 64R26				
ILLINOIS FED. AID PROJECT				

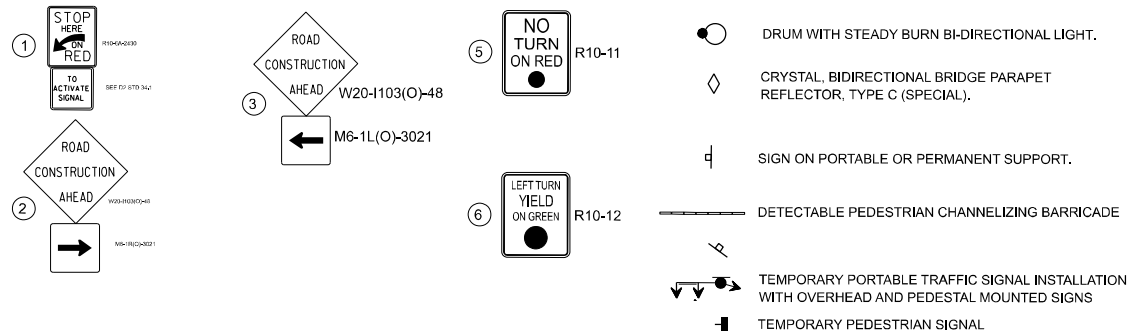


US 20 AND PARK AV



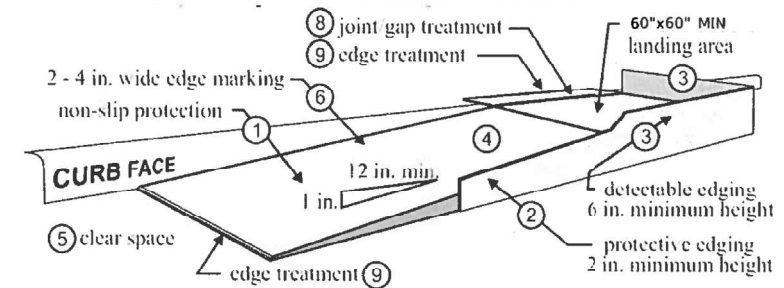
US 20 AND BENCH/MAIN ST

SHEET INDEX OF SIGNS, SYMBOLS AND CALLOUTS



- C-1 PAVEMENT MARKING TAPE, TYPE IV, 4" WHITE.
- C-2 PAVEMENT MARKING TAPE, TYPE IV, 24" WHITE.
- C-4 TEMPORARY PORTABLE TRAFFIC SIGNAL INSTALLATION.
- C-7 PAVEMENT MARKING TAPE, TYPE IV, 4" YELLOW (DOUBLE).

TEMPORARY SIDEWALK RAMP - PARALLEL TO CURB



1. Traffic control devices used adjacent to pedestrian access paths for channelizing pedestrians shall be ADA compliant with a bottom edge at least 6 inches high from the walkway and a continuous rail or surface at 3 feet about the walkway.
2. Curb ramps shall be 5 feet minimum width with a firm, stable and non-slip surface.
3. Protective edging with a 2 in. minimum height shall be installed when the curb ramp or landing platform has a vertical drop of 6 in. or greater or has a side apron slope steeper than 1:3 (33%). Protective edging should be considered when curb ramps or landing platforms have a vertical drop of 3 inches or more.
4. Detectable edging with 6-inch minimum height and contrasting color shall be installed on all curb ramp landings where the walkway changes direction (turns).
5. Curb ramps and landings should have a 1:50 (2%) max cross-slope.
6. Clear space of 5 ft. x 5 ft. minimum shall be provided above and below the curb ramp.
7. The curb ramp walkway edge shall be marked with a contrasting color 2 to 4 inches wide. The marking is optional where color contrasting edging is used.
8. Water flow in the gutter system shall have minimal restriction.
9. Lateral joints or gaps between surfaces shall be less than 0.5-inch width.
10. Changes between surface heights should not exceed 0.5 inch. Lateral edges should be vertical up to 0.25-inch-high and beveled at 1:2 between 0.25-inch and 0.5-inch height.

RAMP DETAIL
(NTS)

MODEL: Intersection-1 (Sheet)
FILE NAME: L:\8008.KPFF\8008.002.PTB_195-018 Bridge Rehab (20911)\C:\03 CAD\01 Model\264R26-details.dgn

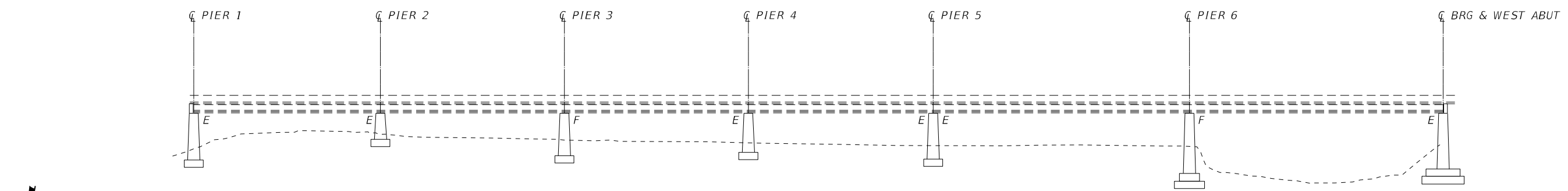
USER NAME = mbutling	DESIGNED - MGB	REVISED -
	DRAWN - MGB	REVISED -
	CHECKED - HJH	REVISED -
PLOT DATE = 8/2/2024	DATE -	REVISED -

STATE OF ILLINOIS
DEPARTMENT OF TRANSPORTATION

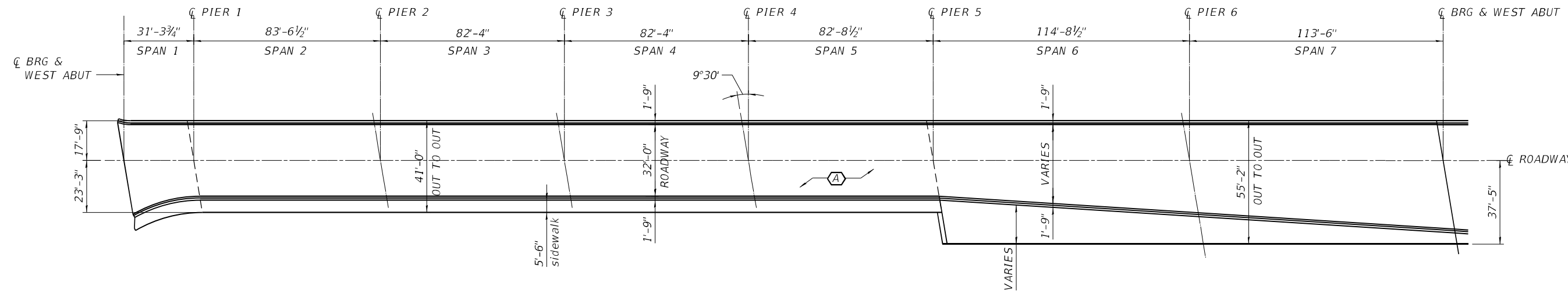
US 20 CROSSING THE GALENA RIVER AND CC&P RR
MAINTENANCE OF TRAFFIC STAGE 1A INTERSECTION DETAIL

SCALE: 1"=20' SHEET 1 OF 1 SHEETS STA. TO STA.

F.A.P. RTE.	SECTION	COUNTY	TOTAL SHEETS	SHEET NO.
301	(102VBR)BDR	JO DAVIESS	22	10
CONTRACT NO. 64R26			ILLINOIS FED. AID PROJECT	



ELEVATION



PLAN

GENERAL NOTES

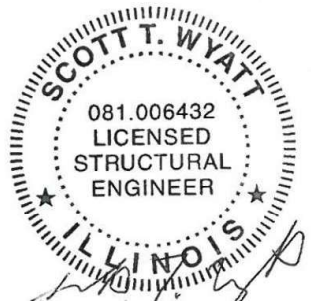
The Structure Number shall remain SN 043-0043.
 Plan dimensions and details relative to the existing structure have been taken from the existing plans and are subject to nominal construction variations. The Contractor shall field verify existing dimensions and details affecting new construction and make necessary approved adjustments prior to construction or ordering materials. Such variations shall not be cause for additional compensation for a change in scope of the work, however, the Contractor will be paid for the quantity actually furnished at the unit price bid for the work.
 Traffic will be maintained using staged construction.

TOTAL BILL OF MATERIAL

ITEM	UNIT	QUANTITY
Deck Slab Repair (Partial)	Sq. Yd.	419

SCOPE OF WORK

(A) - Deck Slab Repair (Partial)



10-4-24
 EXP 11-30-26

MODEL: Default
 FILE NAME: \\kpf.com\dis\Bf\pge\2100461 (WO #9 64R26)\02_Design\08 64R26 Plan and Elevation.dgn

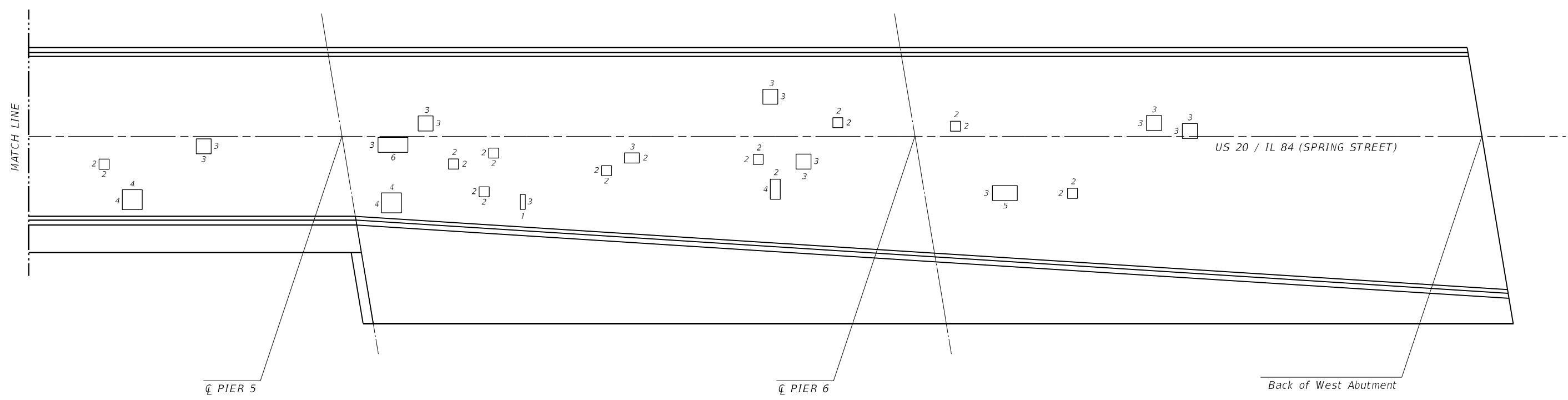
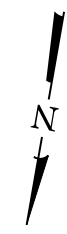


USER NAME =	DESIGNED -	REVISED -
PLOT SCALE =	CHECKED -	REVISED -
PLOT DATE =	DRAWN -	REVISED -
	CHECKED -	REVISED -

STATE OF ILLINOIS
 DEPARTMENT OF TRANSPORTATION

SN 043-0043 US 20 CROSSING THE GALENA RIVER AND CC&P RR
 PLAN AND ELEVATION

F.A. RTE.	SECTION	COUNTY	TOTAL SHEETS	SHEET NO.
301	(102VBR)BDR	JO DAVIESS	22	11
CONTRACT NO. 64R26				
ILLINOIS FED. AID PROJECT				



BRIDGE DECK REPAIR PLAN

Legend

□ Deck Slab Repair (Partial)

NOTE: PATCHES SHOWN ARE POTENTIAL AREAS OF DECK SLAB REPAIR.
ACTUAL AREAS TO BE DETERMINED IN THE FIELD.

Date of Survey: 8/27/2021

MODEL: Default
FILE NAME: \\kpf.com\dfs\Brdge\2100481 (WO #9 64R26)\02_Design\10 64R26 Bridge Deck Repair.dgn

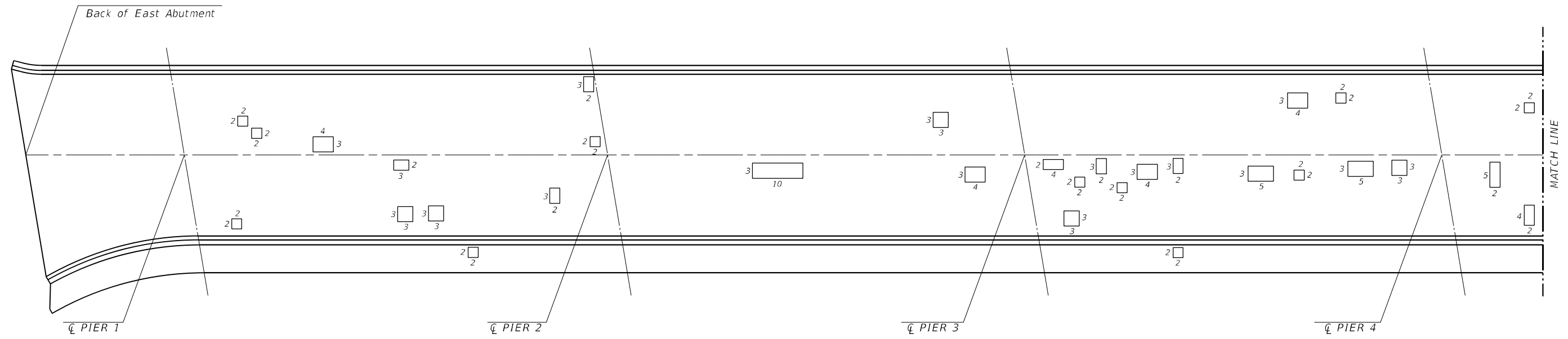
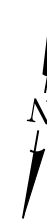
kpff
Consulting Engineers
1560 Sherman Ave.
Suite 1020

USER NAME =	DESIGNED -	REVISED -
PLOT SCALE =	CHECKED -	REVISED -
PLOT DATE =	DRAWN -	REVISED -
	CHECKED -	REVISED -

**STATE OF ILLINOIS
DEPARTMENT OF TRANSPORTATION**

**SN 043-0043 US 20 CROSSING THE GALENA RIVER AND CC&P RR
BRIDGE DECK REPAIR PLAN - 1**

F.A. RTE.	SECTION	COUNTY	TOTAL SHEETS	SHEET NO.
301	(102VBR)BDR	JO DAVIESS	22	13
CONTRACT NO. 64R26				
ILLINOIS FED. AID PROJECT				



BRIDGE DECK REPAIR PLAN

Legend

□ Deck Slab Repair (Partial)

NOTE: PATCHES SHOWN ARE POTENTIAL AREAS OF DECK SLAB REPAIR. ACTUAL AREAS TO BE DETERMINED IN THE FIELD.

Date of Survey: 8/27/2021

MODEL: Default
 FILE NAME: \\kpf.com\dfs\Bridges\2100461 (WO # 64R26)\02_Design\09 64R26 Bridge Deck Repair.dgn
 8/7/2024 10:26:15 AM



USER NAME =	DESIGNED -	REVISED -
PLOT SCALE =	CHECKED -	REVISED -
PLOT DATE =	DRAWN -	REVISED -
	CHECKED -	REVISED -

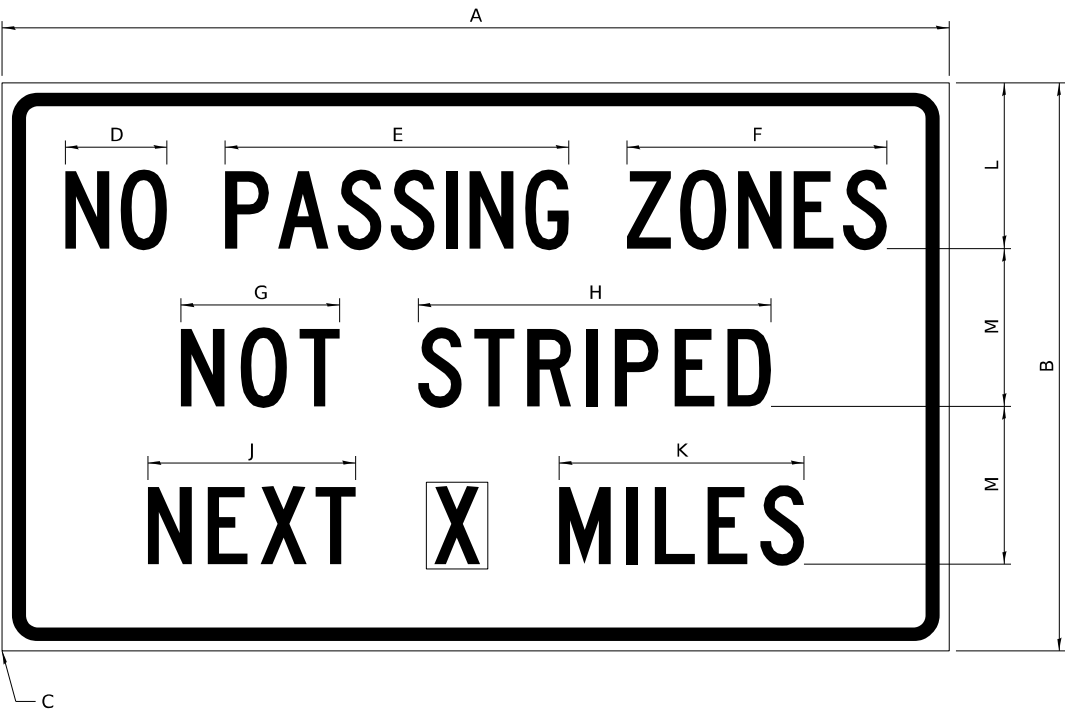
STATE OF ILLINOIS
 DEPARTMENT OF TRANSPORTATION

SN 043-0043 US 20 CROSSING THE GALENA RIVER AND CC&P RR
 BRIDGE DECK REPAIR PLAN - 2

F.A. RTE.	SECTION	COUNTY	TOTAL SHEETS	SHEET NO.
301	(102VBR)BDR	JO DAVIESS	22	12
CONTRACT NO. 64R26				
ILLINOIS FED. AID PROJECT				

WORK ZONE SIGN DETAILS

ILLINOIS STANDARD G20-I100



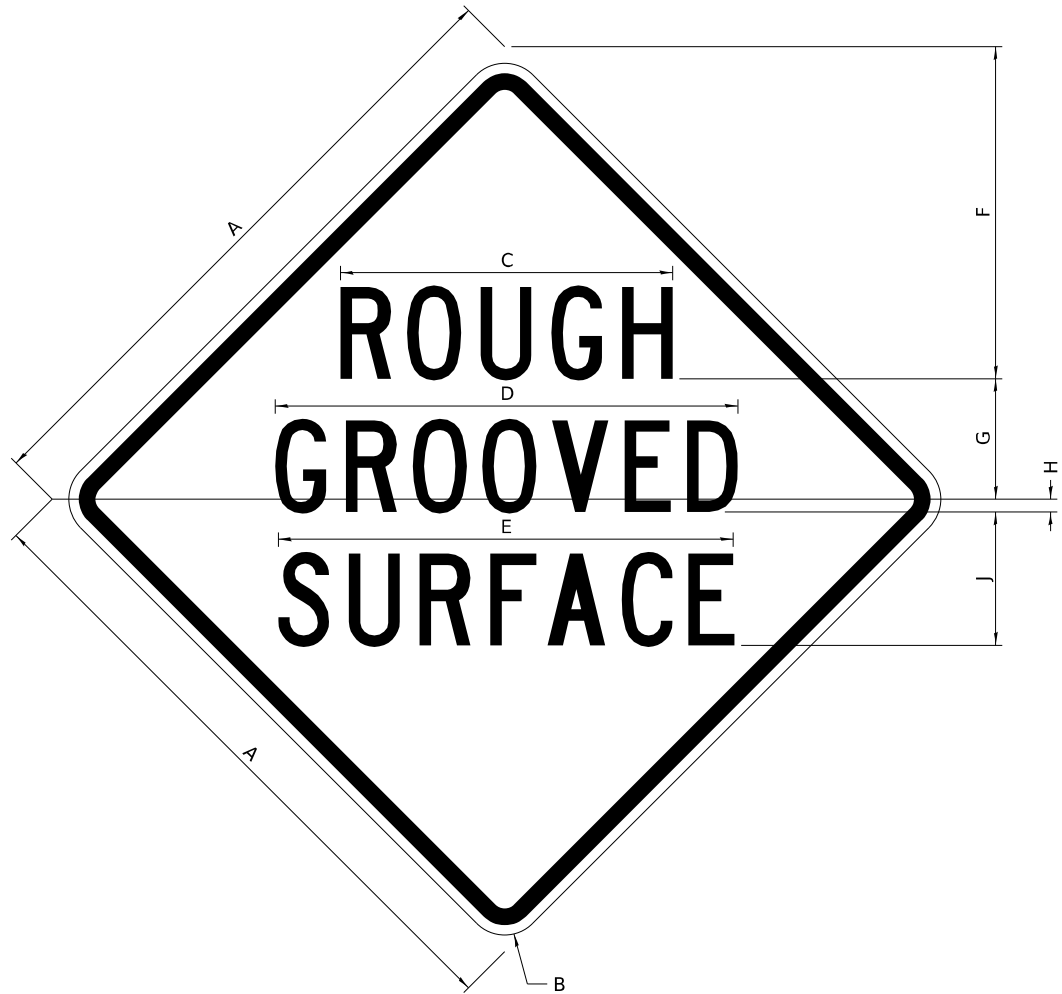
COLOR LEGEND AND BORDER BACKGROUND BLACK ORANGE NON-REFLECTORIZED REFLECTORIZED

SIGN SIZE	DIMENSIONS											
	A	B	C	D	E	F	G	H	J	K	L	M
60 x 36	60.00	36.00	2.25	6.4	21.80	16.40	10.00	22.40	13.20	15.50	10.50	10.00

SIGN SIZE	SERIES BY LINE			MARGIN	BORDER
	1	2	3		
60 x 36	5C	5C	5C	0.625	0.875

Sign not to scale

ILLINOIS STANDARD W8-I107



COLOR LEGEND AND BORDER BACKGROUND BLACK ORANGE NON-REFLECTORIZED REFLECTORIZED

SIGN SIZE	DIMENSIONS									
	A	B	C	D	E	F	G	H	J	
48 x 48	48.00	3.00	25.00	34.80	34.20	24.94	9.00	1.00	10.00	

SIGN SIZE	SERIES BY LINE			MARGIN	BORDER
	1	2	3		
48 x 48	7C	7C	7C	1.250	0.750

Sign not to scale

GENERAL NOTES

All work to furnish and install these signs shall be included in the cost of the specified traffic control standards and shall not be paid separately.

All Illinois Standard signs shall conform to the latest edition of the "Illinois Standard Highway Signs Book" in effect on the date of invitation for bids.

Signs shall meet the applicable portions of Sections 701 and 720 of the Standard Specifications.

All dimensions are in inches unless otherwise noted.

MODEL: Default; FILE NAME: L:\81008 KPF\81008.002 PFB 195-018 Bridge Rehab (20911)\CH\03 CAD\01 Model\125425-std 34_1-sht1.dgn

USER NAME = mbutling	DESIGNED - MGB	REVISED - 3-02-16
	DRAWN - MGB	REVISED -
	CHECKED - HJH	REVISED -
PLOT DATE = 8/5/2024	DATE -	REVISED -

**STATE OF ILLINOIS
DEPARTMENT OF TRANSPORTATION**

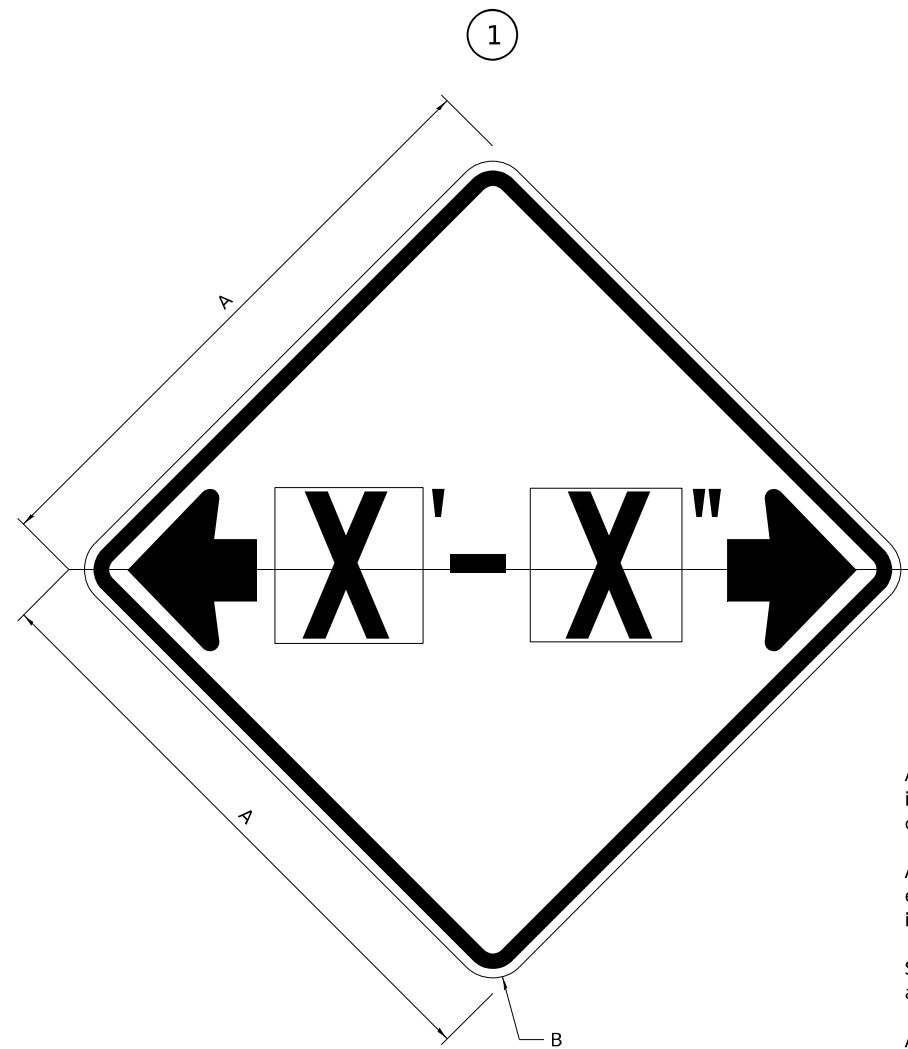
**US 20 CROSSING THE GALENA RIVER AND CC&P RR
REGION 2 / DISTRICT 2 STANDARD**

SCALE: N.A. SHEET 1 OF 4 SHEETS STA. TO STA.

F.A.P. RTE.	SECTION	COUNTY	TOTAL SHEETS	SHEET NO.
301	(102VBR)BDR	JO DAVIESS	22	14
CONTRACT NO. 64R26				

ILLINOIS FED. AID PROJECT

ILLINOIS STANDARD W12-I102 WORK ZONE SIGN DETAILS



GENERAL NOTES

All work to furnish and install these signs shall be included in the cost of the specified traffic control standards and shall not be paid separately.

All Illinois Standard signs shall conform to the latest edition of the "Illinois Standard Highway Signs Book" in effect on the date of invitation for bids.

Signs shall meet the applicable portions of Sections 701 and 720 of the Standard Specifications.

All dimensions are in inches unless otherwise noted.

COLOR LEGEND AND BORDER BACKGROUND BLACK FL ORANGE NON-REFLECTORIZED REFLECTORIZED

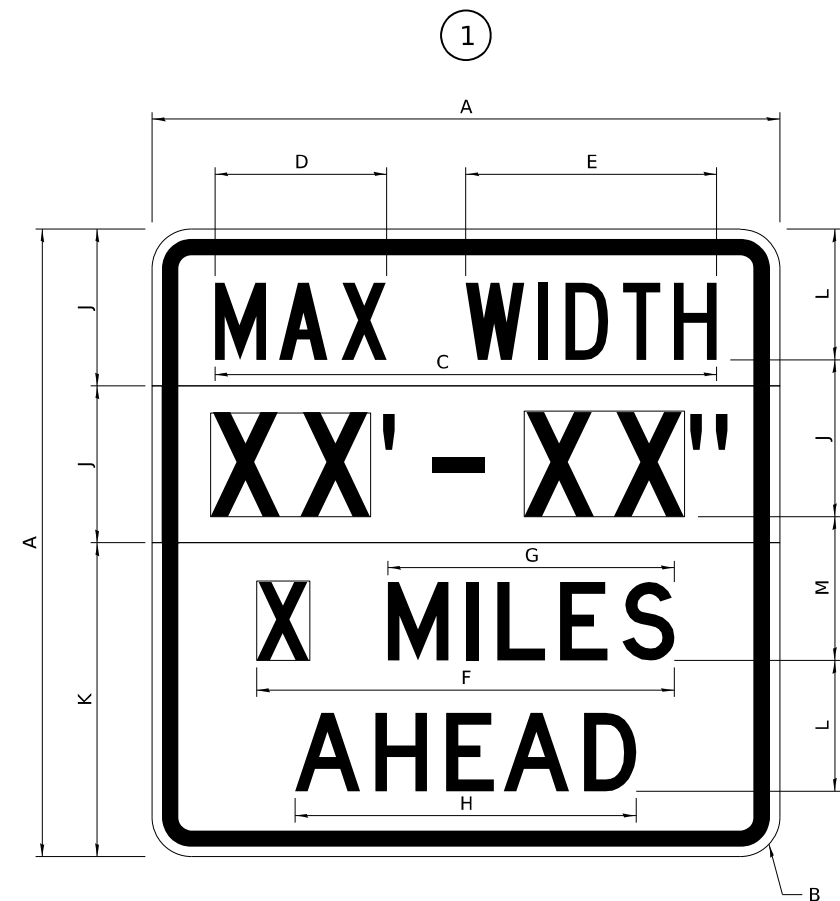
SIGN SIZE	DIMENSIONS	
	A	B
48 x 48	48.00	3.00

① Illinois Standard signs W12-I102 and W12-I103 shall be used as described in the special provisions.

SIGN SIZE	SERIES BY LINE	MARGIN	BORDER
	1		
48 x 48	12C	0.750	1.250

Sign not to scale

ILLINOIS STANDARD W12-I103



COLOR LEGEND AND BORDER BACKGROUND BLACK FL ORANGE NON-REFLECTORIZED REFLECTORIZED

SIGN SIZE	DIMENSIONS											
	A	B	C	D	E	F	G	H	J	K	L	M
48 x 48	48.00	3.00	38.40	13.20	19.20	32.00	22.00	26.20	12.00	24.00	10.00	11.00

SIGN SIZE	SERIES BY LINE				MARGIN	BORDER
	1	2	3	4		
48 x 48	6C	8D	6D	6D	0.750	1.250

Sign not to scale

XX'-XX" WIDTH AND X MILES ARE VARIABLE TOP AND BOTTOM OF BACKGROUND WHITE

MODEL: Default
FILE NAME: L:\8008 KPPFF\8008.002.PTB: 195-018 Bridge Rehab (20911)\Civ\003 CAD\01 Model\1264F28-std 34.1-sh12.dgn

USER NAME = mbulting	DESIGNED - MGB	REVISED - 3-02-16
	DRAWN - MGB	REVISED -
	CHECKED - HJH	REVISED -
PLOT DATE = 8/5/2024	DATE -	REVISED -

STATE OF ILLINOIS
DEPARTMENT OF TRANSPORTATION

US 20 CROSSING THE GALENA RIVER AND CC&P RR
REGION 2 / DISTRICT 2 STANDARD

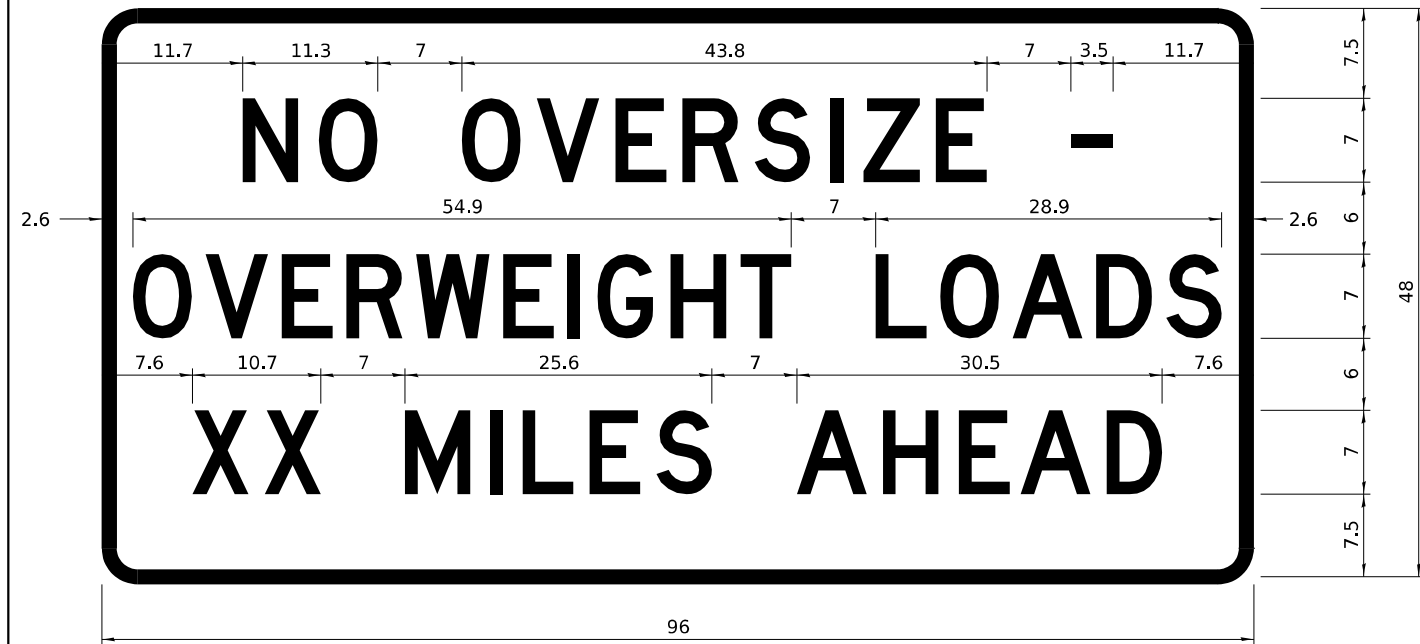
F.A.P. RTE. 301	SECTION (102VBR)BDR	COUNTY JO DAVIESS	TOTAL SHEETS 22	SHEET NO. 15
CONTRACT NO. 64R26				
ILLINOIS FED. AID PROJECT				

SCALE: N.A. SHEET 2 OF 4 SHEETS STA. TO STA.

WORK ZONE SIGN DETAILS

STOP LINE SIGN FOR TEMPORARY SIGNALS

ROAD CLOSED TO OVERSIZED LOADS



COLOR LEGEND AND BORDER BACKGROUND BLACK ORANGE NON-REFLECTORIZED REFLECTORIZED

Permit Loads - Loads Over 13 Feet; 3.0" Radius, 1.3" Border;
 [NO OVERSIZE -] D; [OVERWEIGHT LOADS] D 85% spacing; [XX MILES AHEAD] D;
 Table of letter and object lefts.

N	O	O	V	E	R	S	I	Z	E	-
11.7	18.1	30.0	36.2	42.8	48.4	54.4	60.7	63.5	69.5	80.8

O	V	E	R	W	E	I	G	H	T	L	O	A	D	S
2.6	8.6	15.0	20.4	26.2	33.4	38.8	41.3	47.4	53.2	64.5	69.9	75.9	82.9	88.7

X	X	M	I	L	E	S	A	H	E	A	D
7.6	13.6	25.3	32.3	35.1	40.6	46.2	57.9	65.1	71.4	76.6	83.7

Sign not to scale

COLOR LEGEND AND BORDER BACKGROUND BLACK WHITE NON-REFLECTORIZED REFLECTORIZED

SIGN SIZE	SERIES BY LINE		
	1	2	3
24 x 24	4C	4C	4C

Sign not to scale

GENERAL NOTES

All work to furnish and install these signs shall be included in the cost of the specified traffic control standards and shall not be paid separately.

All Illinois Standard signs shall conform to the latest edition of the "Illinois Standard Highway Signs Book" in effect on the date of invitation for bids.

Signs shall meet the applicable portions of Sections 701 and 720 of the Standard Specifications.

All dimensions are in inches unless otherwise noted.

MODEL: Default
 FILE NAME: L:\8008 KPPFB008.002 PFB 195-018 Bridge Rehab (20911)\CVR003 CAD01 Model\2024\FR26-std 34_1-std3.dgn

USER NAME = mbutling	DESIGNED - MGB	REVISED - 3-02-16
	DRAWN - MGB	REVISED -
	CHECKED - HJH	REVISED -
PLOT DATE = 8/5/2024	DATE -	REVISED -

STATE OF ILLINOIS
 DEPARTMENT OF TRANSPORTATION

US 20 CROSSING THE GALENA RIVER AND CC&P RR
 REGION 2 / DISTRICT 2 STANDARD

SCALE: N.A. SHEET 3 OF 4 SHEETS STA. TO STA.

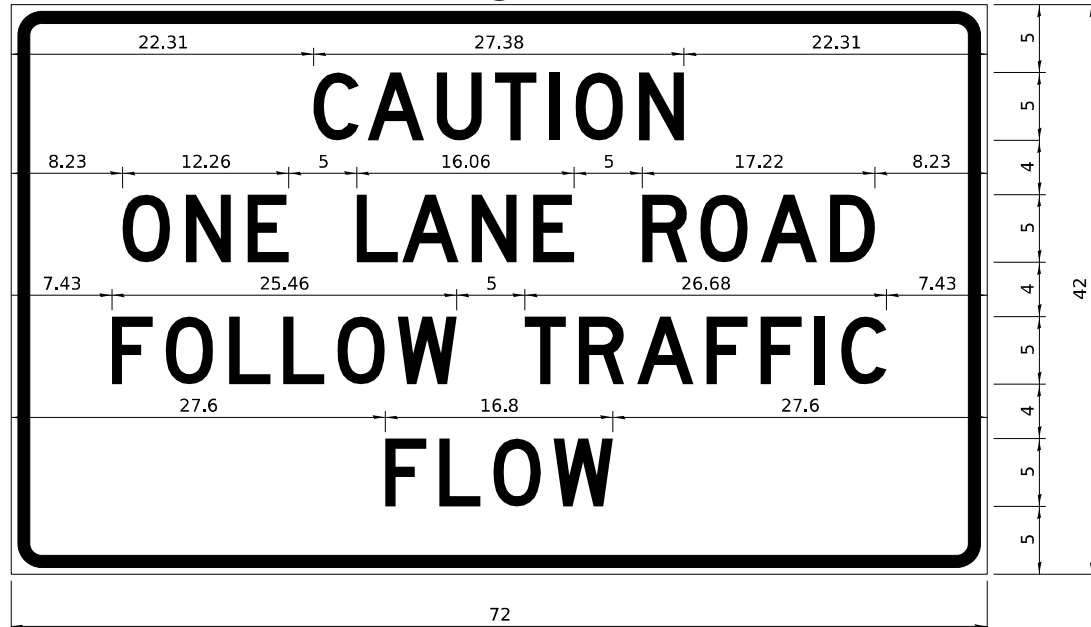
F.A.P. RTE.	SECTION	COUNTY	TOTAL SHEETS	SHEET NO.
301	(102VBR)BDR	JO DAVIESS	22	16
CONTRACT NO. 64R26				
ILLINOIS FED. AID PROJECT				

ENTRANCE SIGN FOR USE WITH TEMPORARY SIGNALS

WORK ZONE SIGN DETAILS

STAY IN YOUR LANE

2



COLOR LEGEND AND BORDER BACKGROUND BLACK ORANGE NON-REFLECTORIZED REFLECTORIZED

2.25" Radius, 0.88" Border, 0.50" Indent;
[CAUTION] D; [ONE LANE ROAD] D;
[FOLLOW TRAFFIC] D; [FLOW] D

2 This sign shall be installed at entrances located between the temporary signals as shown in the staging plans.

Table Of Widths And Spaces

22.31	C	3.36	0.62	A	4.18	0.94	U	3.36	0.94	T	3.04	0.94	I	0.78	1.17	O	3.52	1.17	N	3.36	22.31
-------	---	------	------	---	------	------	---	------	------	---	------	------	---	------	------	---	------	------	---	------	-------

8.23	O	3.51	1.17	N	3.36	1.18	E	3.04
------	---	------	------	---	------	------	---	------

5.00	L	3.05	0.31	A	4.18	0.94	N	3.36	1.17	E	3.05
------	---	------	------	---	------	------	---	------	------	---	------

5.00	R	3.36	0.93	O	3.52	0.94	A	4.18	0.93	D	3.36	8.23
------	---	------	------	---	------	------	---	------	------	---	------	------

7.43	F	3.04	0.94	O	3.52	1.17	L	3.04	0.94	L	3.05	0.94	O	3.51	0.94	W	4.37
------	---	------	------	---	------	------	---	------	------	---	------	------	---	------	------	---	------

5.00	T	3.05	0.94	R	3.36	0.94	A	4.18	0.93	F	3.05	0.94	F	3.04	0.94	I	0.78	1.18	C	3.35	7.43
------	---	------	------	---	------	------	---	------	------	---	------	------	---	------	------	---	------	------	---	------	------

27.60	F	3.05	0.94	L	3.04	0.94	O	3.52	0.93	W	4.38	27.60
-------	---	------	------	---	------	------	---	------	------	---	------	-------

Sign not to scale

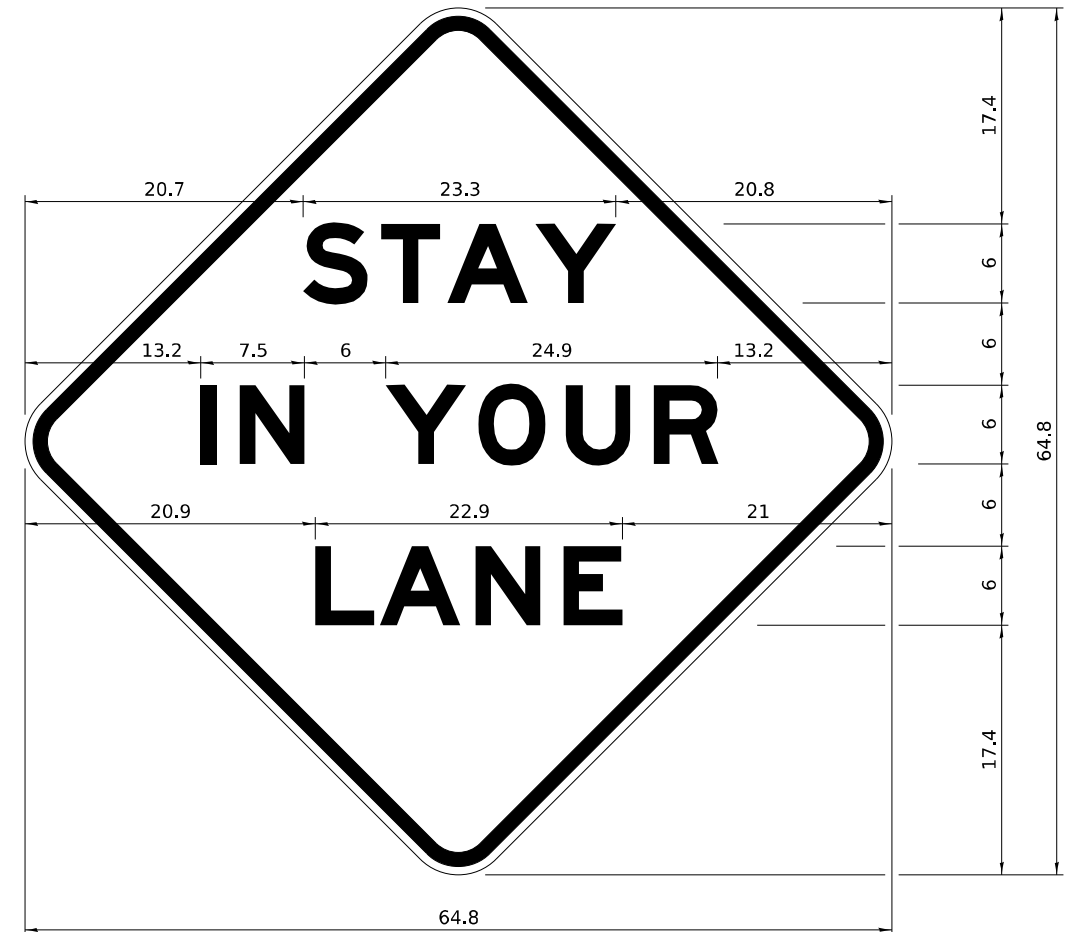
GENERAL NOTES

All work to furnish and install these signs shall be included in the cost of the specified traffic control standards and shall not be paid separately.

All Illinois Standard signs shall conform to the latest edition of the "Illinois Standard Highway Signs Book" in effect on the date of invitation for bids.

Signs shall meet the applicable portions of Sections 701 and 720 of the Standard Specifications.

All dimensions are in inches unless otherwise noted.



COLOR LEGEND AND BORDER BACKGROUND BLACK ORANGE NON-REFLECTORIZED REFLECTORIZED

48.0" across sides 3.8" Radius, 1.0" Border, 0.6" Indent;
"STAY" E Mod; "IN YOUR" E Mod; "LANE" E Mod;

Table of Letter and Object Lefts

S	T	A	Y
20.7	26.8	31.6	38.0

I	N	Y	O	U	R
13.2	15.9	26.7	33.9	40.5	46.8

L	A	N	E
20.9	25.8	33.1	39.4

Sign not to scale

MODEL: Default
FILE NAME: L:\8008 KFFFB008.002 PTB 195-018 Bridge Rehab (20911)\C:\R03 CAD\01 Model\2024\F26-std_34_1-sht4.dgn

USER NAME = mbuting	DESIGNED - MGB	REVISED - 3-02-16
	DRAWN - MGB	REVISED -
	CHECKED - HJH	REVISED -
PLOT DATE = 8/5/2024	DATE -	REVISED -

**STATE OF ILLINOIS
DEPARTMENT OF TRANSPORTATION**

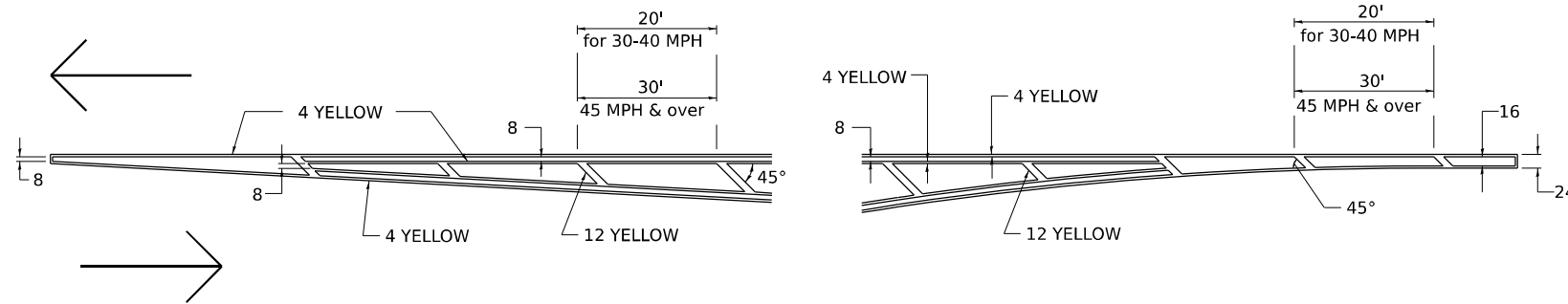
**US 20 CROSSING THE GALENA RIVER AND CC&P RR
REGION 2 / DISTRICT 2 STANDARD**

SCALE: N.A. SHEET 4 OF 4 SHEETS STA. TO STA.

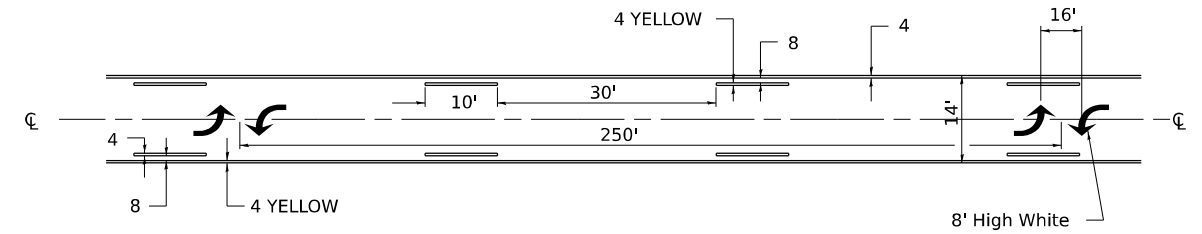
F.A.P. RTE.	SECTION	COUNTY	TOTAL SHEETS	SHEET NO.
301	(102VBR)BDR	JO DAVIESS	22	17
CONTRACT NO. 64R26				
ILLINOIS FED. AID PROJECT				

TYPICAL PAVEMENT MARKINGS

TYPICAL PAVEMENT MARKING FOR FLUSH MEDIAN AT LEFT TURN LANE

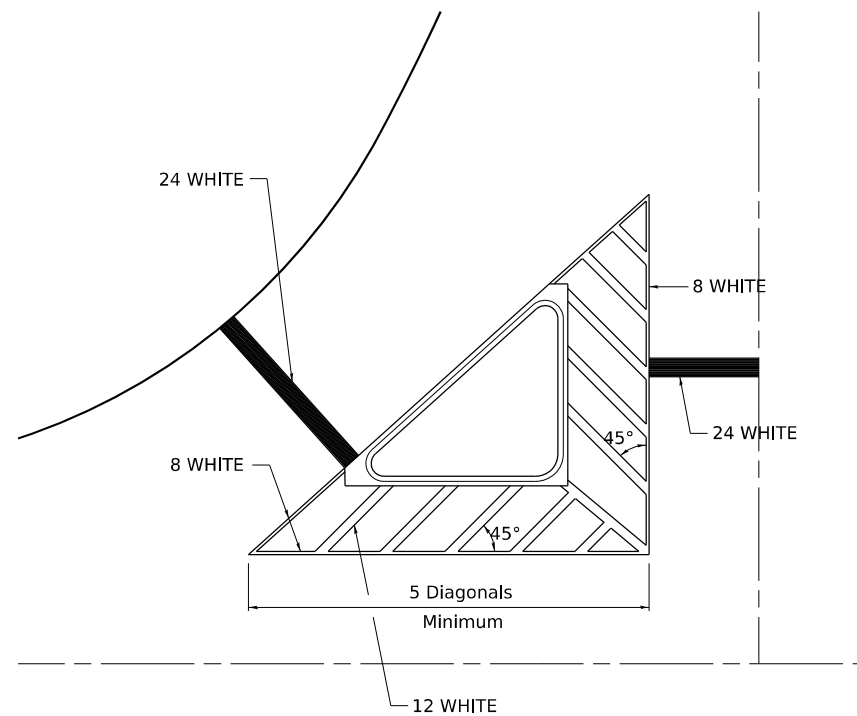


MEDIAN PAVEMENT MARKING



** ALL DIMENSIONS ARE IN INCHES UNLESS OTHERWISE NOTED.

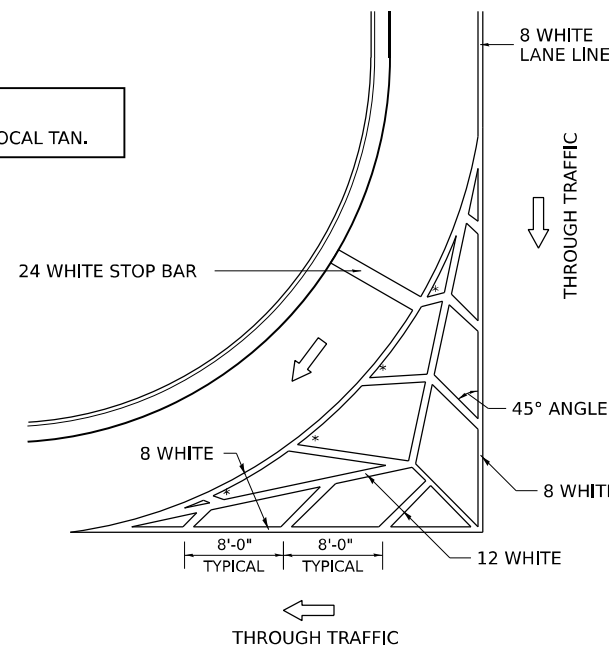
TYPICAL ISLAND OFFSET SHOULDER WIDTH



Sign not to scale

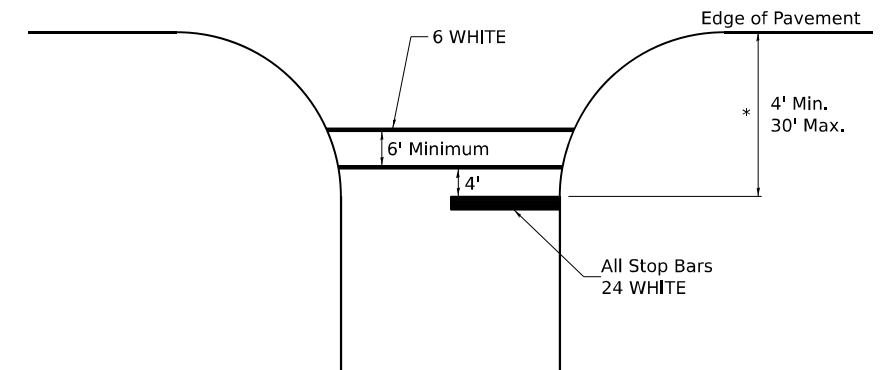
TYPICAL MARKING FOR PAINTED ISLANDS

NOTE:
* 45° TO LOCAL TAN.



STANDARD CROSSWALK MARKING

See Schedules for Locations



* Distance to the nearest edge of the intersecting roadway in the absence of a marked crosswalk.

MODEL: Default
FILE NAME: L:\8008 KPFF\8008.002 PTB 195-018 Bridge Rehab (2011)\Ck\03 CAD\01 Model\1D24R26-std 41.1-sh11.dgn

USER NAME = mbutling	DESIGNED - MGB	REVISED - 6-27-14
	DRAWN - MGB	REVISED - 3-05-12
	CHECKED - HJH	REVISED -
PLOT DATE = 8/5/2024	DATE -	REVISED -

STATE OF ILLINOIS
DEPARTMENT OF TRANSPORTATION

US 20 CROSSING THE GALENA RIVER AND CC&P RR
REGION 2 / DISTRICT 2 STANDARD

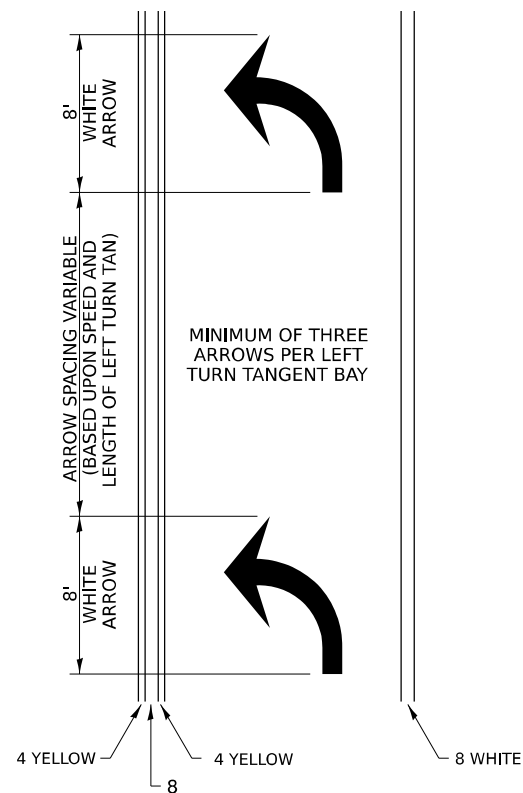
SCALE: N.A. SHEET 1 OF 4 SHEETS STA. TO STA.

F.A.P. RTE. 301	SECTION (102VBR)BDR	COUNTY JO DAVIESS	TOTAL SHEETS 22	SHEET NO. 18
CONTRACT NO. 64R26				

ILLINOIS FED. AID PROJECT

TYPICAL PAVEMENT MARKINGS

ARROW LAYOUT

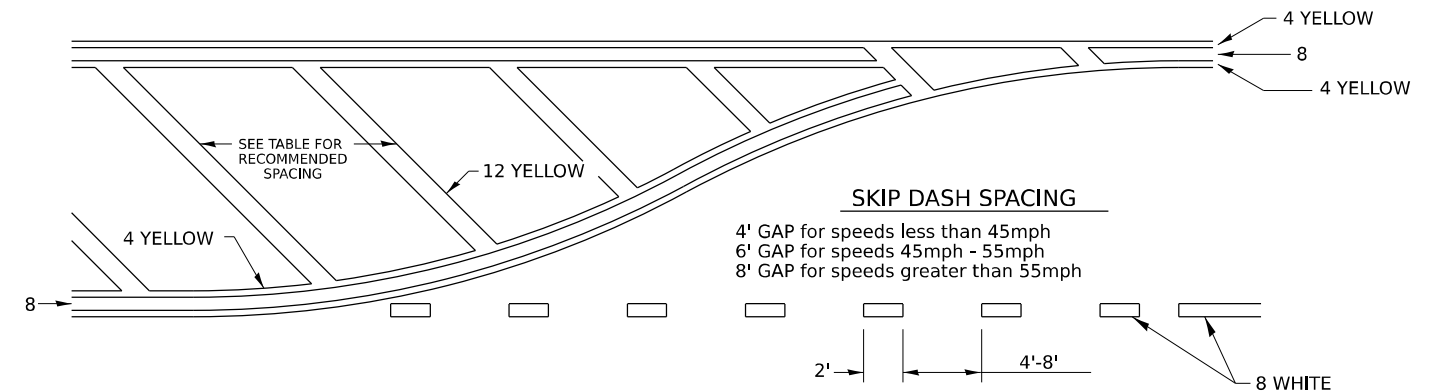


SYMBOLS

- ◀ ONE-WAY AMBER MARKER
- ◁ ONE-WAY CRYSTAL MARKER
- ◆ TWO-WAY AMBER MARKER

ALL DIMENSIONS ARE IN INCHES UNLESS OTHERWISE NOTED.

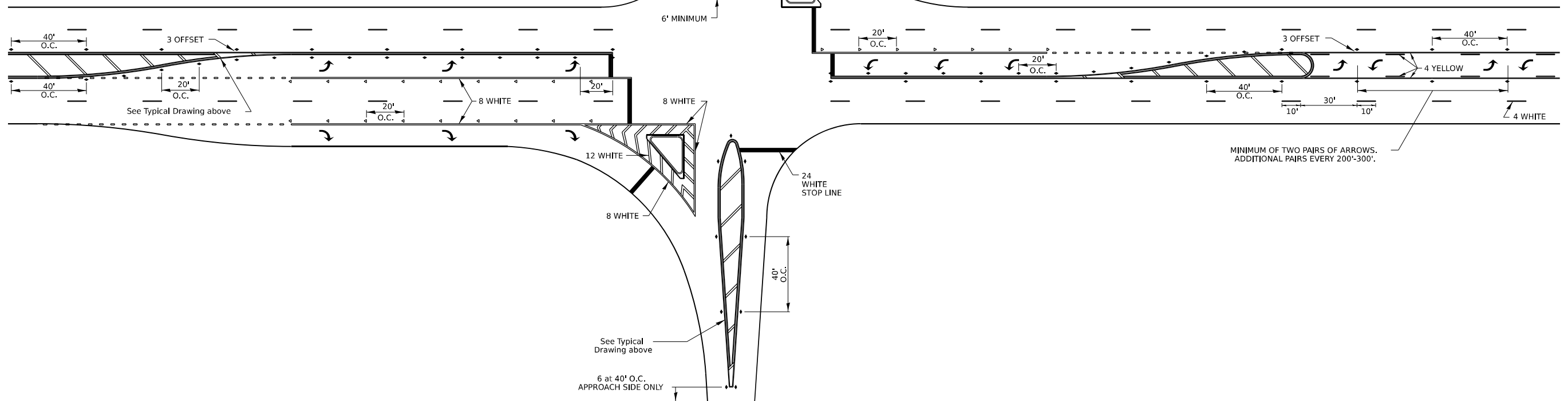
TYPICAL PAVEMENT MARKING FOR FLUSH MEDIAN



RECOMMENDED SPACING BETWEEN DIAGONALS (IN FEET)

Speed Limit Range	Continuous Median Area	Intersection Channelization	Objects (Islands)
less than 30MPH	50'	15'	10'
30-40MPH	75'	20'	15'
45MPH & over	75'	30'	20'

NOTE: if the spacing recommended in the Table does not permit at least five diagonal lines in the area being marked, the spacing from the next lowest speed range should be used. The recommended spacing is measured parallel to the pavement center line.



MODEL: Default
FILE NAME: L:\8008 KPFF\8008.002 PTB 195-0118 Bridge Rehab (2011)\Cv\03 CAD\01 Model\264R26-std 41.1-sh2.dgn

USER NAME = mbulting	DESIGNED - MGB	REVISED - 6-27-14
	DRAWN - MGB	REVISED - 3-05-12
	CHECKED - HJH	REVISED -
PLOT DATE = 8/5/2024	DATE -	REVISED -

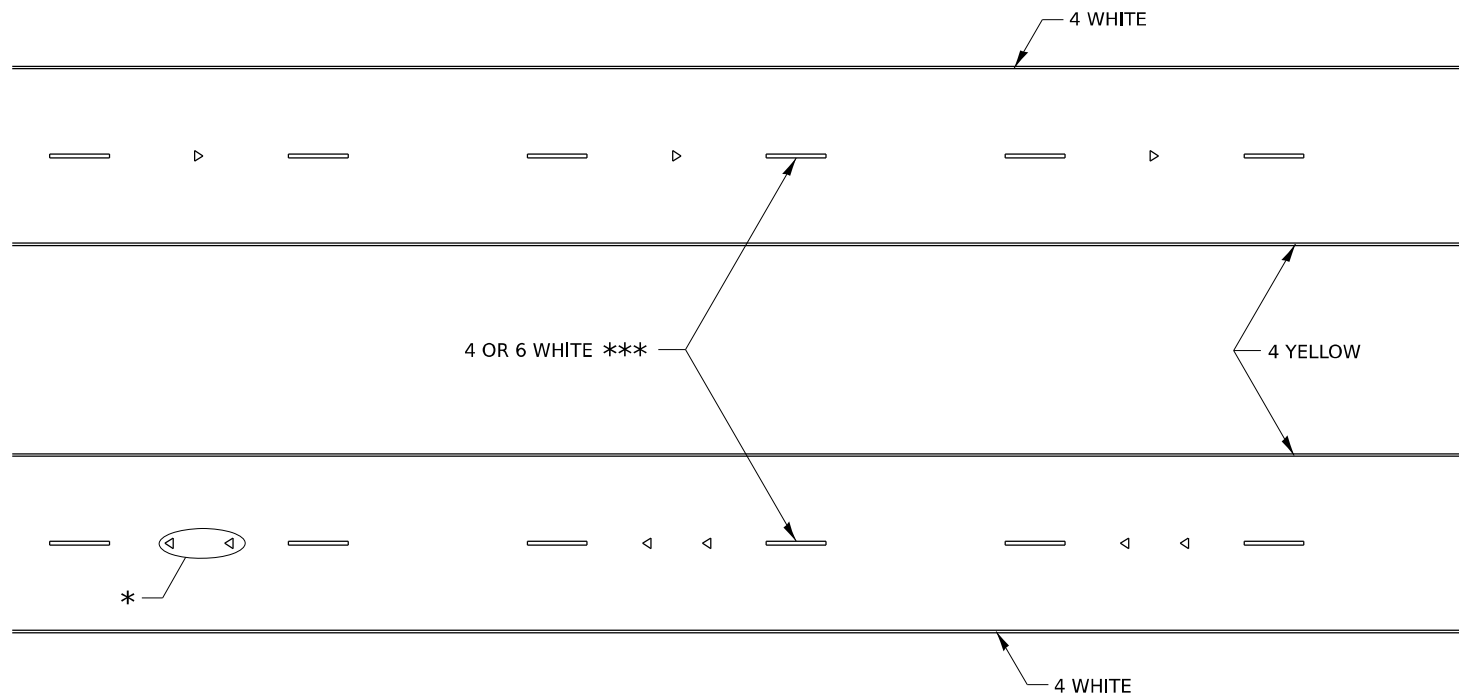
STATE OF ILLINOIS
DEPARTMENT OF TRANSPORTATION

US 20 CROSSING THE GALENA RIVER AND CC&P RR
REGION 2 / DISTRICT 2 STANDARD

SCALE: N.A. SHEET 2 OF 4 SHEETS STA. TO STA.

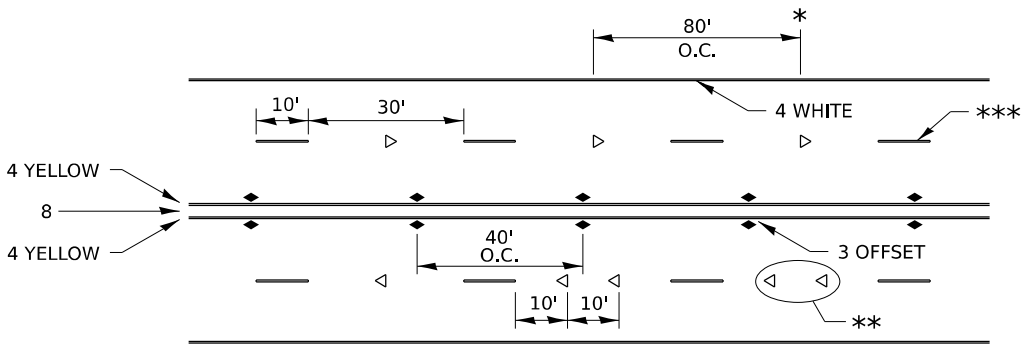
F.A.P. RTE. 301	SECTION (102VBR)BDR	COUNTY JO DAVIESS	TOTAL SHEETS 22	SHEET NO. 19
ILLINOIS FED. AID PROJECT			CONTRACT NO. 64R26	

TYPICAL PAVEMENT MARKINGS



* SEE HIGHWAY STANDARD 781001 FOR SPACING DETAILS. USE DOUBLE MARKERS WHEN ADT ≥ 20,000.

MULTI-LANE / DIVIDED



* REDUCE TO 40' O.C. ON CURVES WHERE ADVISORY SPEEDS ARE 10 MPH LOWER THAN POSTED SPEEDS.

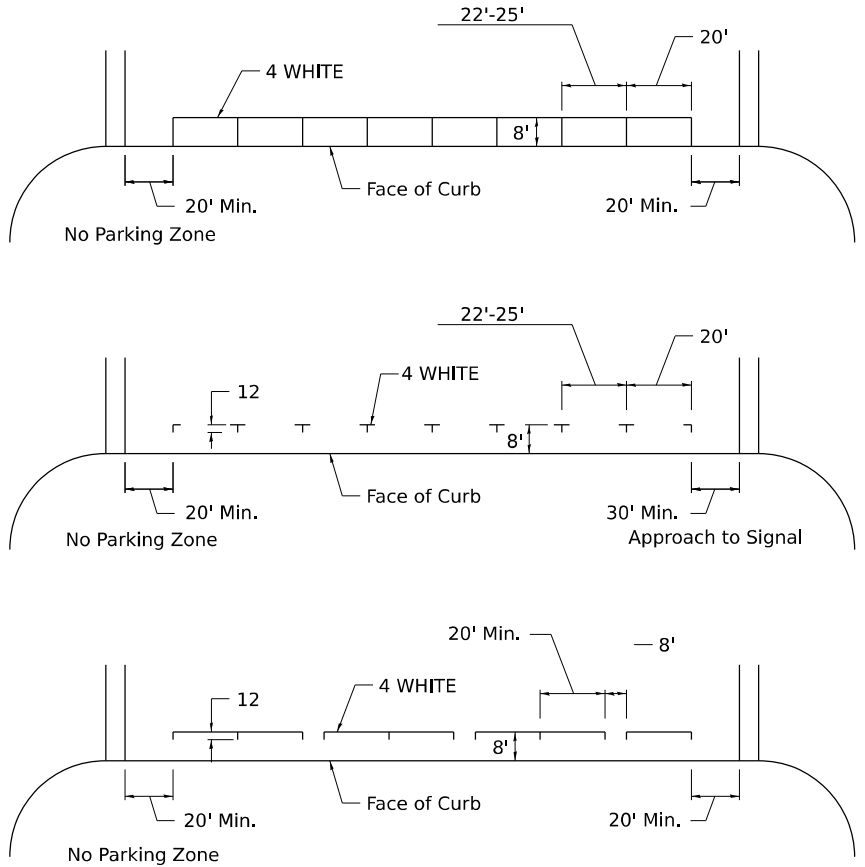
** USE DOUBLE MARKERS WHEN ADT ≥ 20,000

*** CENTERLINE SKIP DASH PAVEMENT MARKING SPEED LIMIT LESS THAN 40 MPH USE 4" LINE. SPEED LIMIT 40 MPH AND OVER USE 6" LINE.

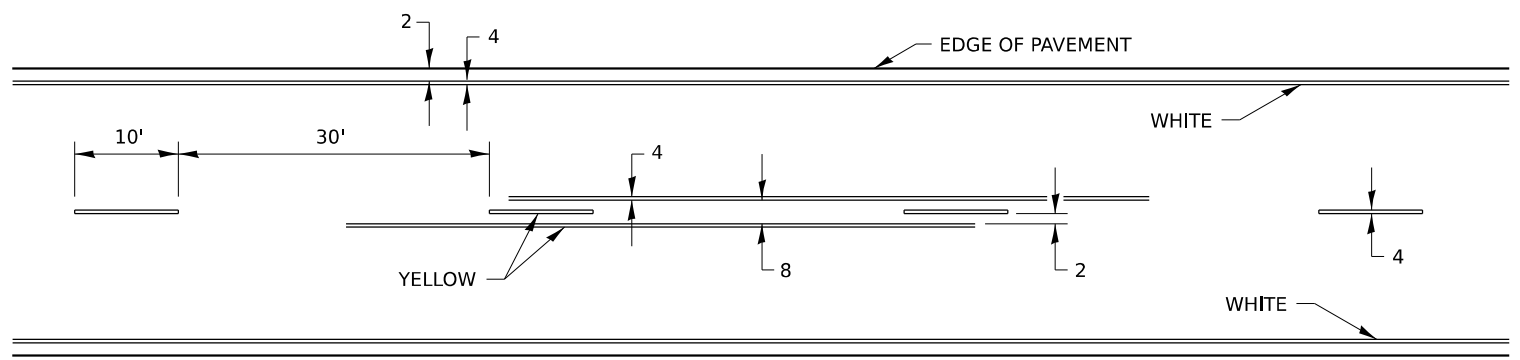
MULTI-LANE / UNDIVIDED & ONE WAY

(FOR MULTI-LANE UNDIVIDED HIGHWAYS USE THIS DETAIL NOT HIGHWAY STANDARD 781001)

TYPICAL PARKING SPACING



TYPICAL PAVEMENT MARKING FOR TWO LANE SECTION – NO PASSING ZONES



MODEL: Default
FILE NAME: L:\8008 KPF\8008.002 PTB 195-018 Bridge Rehab (20911)\Civil\03 CAD\01 Model\264R26-std 41.1-std.dgn

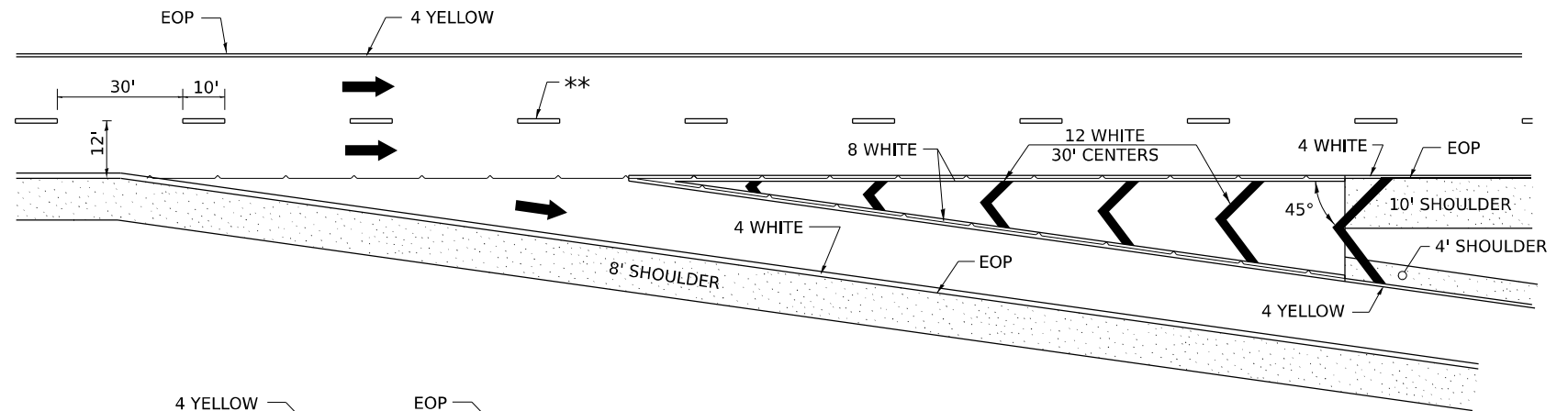
USER NAME = mbuilding	DESIGNED - MGB	REVISED - 6-27-14	STATE OF ILLINOIS DEPARTMENT OF TRANSPORTATION	US 20 CROSSING THE GALENA RIVER AND CC&P RR REGION 2 / DISTRICT 2 STANDARD		F.A.P. RTE. 301	SECTION (102VBR)BDR	COUNTY JO DAVIESS	TOTAL SHEETS 22	SHEET NO. 20	
DRAWN - MGB	REVISED - 8-27-13	SCALE: N.A.		SHEET 3 OF 4 SHEETS	STA. TO STA.	CONTRACT NO. 64R26					
CHECKED - HJH	REVISED - 11-28-12	ILLINOIS FED. AID PROJECT									
DATE -	REVISED -										

TYPICAL PAVEMENT MARKINGS

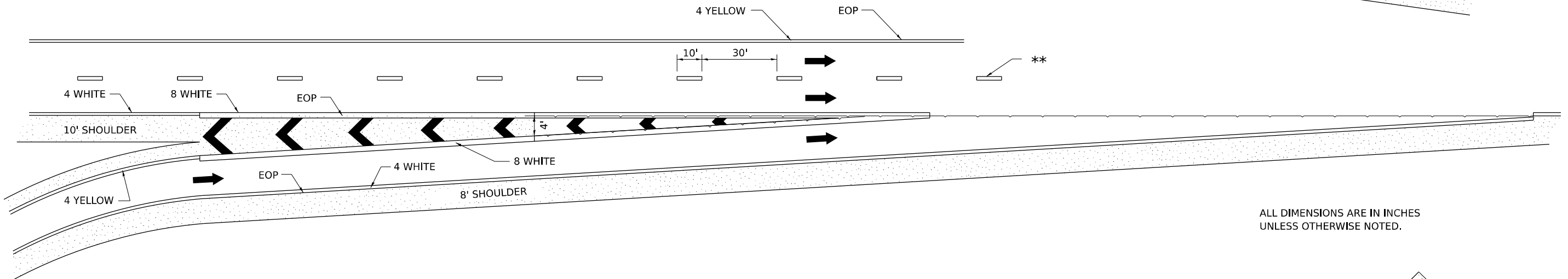
** 6" WHITE ON INTERSTATES, WHERE THE SPED LIMIT IS 65 MPH, OR WHEN DIRECTED BY THE ENGINEER.
4" WIDE AT ALL OTHER LOCATIONS.

NOTE: GORE HATCHING PLACED ONLY WHEN SCHEDULED IN THE PLANS

EXIT RAMP

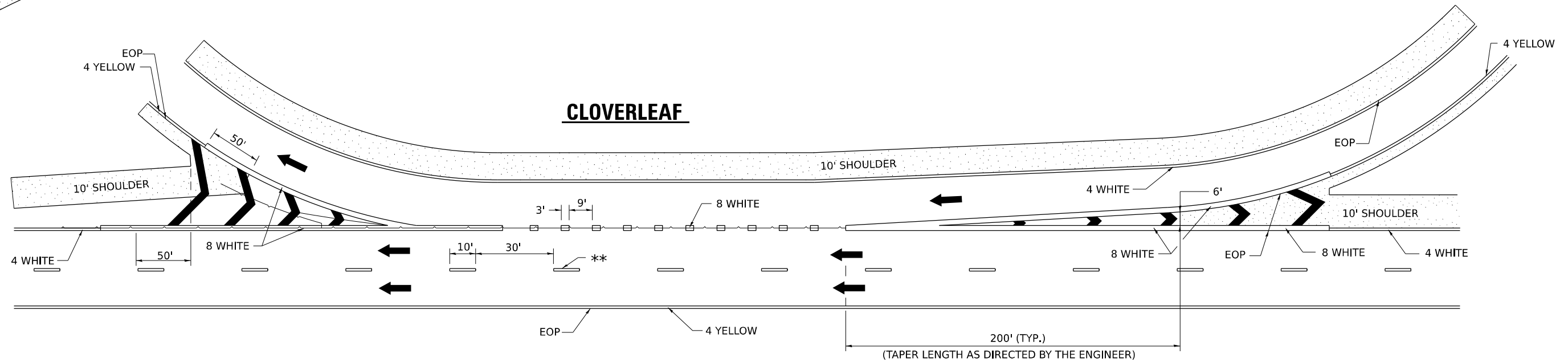


ENTRANCE RAMP



ALL DIMENSIONS ARE IN INCHES UNLESS OTHERWISE NOTED.

CLOVERLEAF



MODEL: Default
FILE NAME: L:\8008 KPF18008.002 PTB 195-018 Bridge Rehab (2011)\Civil\03 CAD\01 Model\02\4R26-std 4 1.1-sh14.dgn

USER NAME = mbutting	DESIGNED - MGB	REVISED - 9-15-23
	DRAWN - MGB	REVISED - 8-27-13
	CHECKED - HJH	REVISED - 10-18-11
PLOT DATE = 8/5/2024	DATE -	REVISED -

STATE OF ILLINOIS
DEPARTMENT OF TRANSPORTATION

US 20 CROSSING THE GALENA RIVER AND CC&P RR
REGION 2 / DISTRICT 2 STANDARD

SCALE: N.A. SHEET 4 OF 4 SHEETS STA. TO STA.

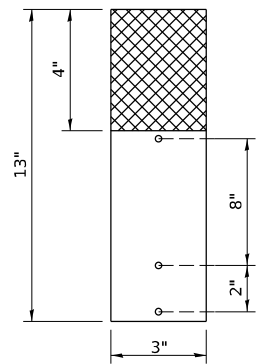
F.A.P. RTE. 301	SECTION (102VBR)BDR	COUNTY JO DAVIESS	TOTAL SHEETS 22	SHEET NO. 21
ILLINOIS FED. AID PROJECT CONTRACT NO. 64R26				

GUARDRAIL REFLECTORS, TYPE C (SPECIAL)

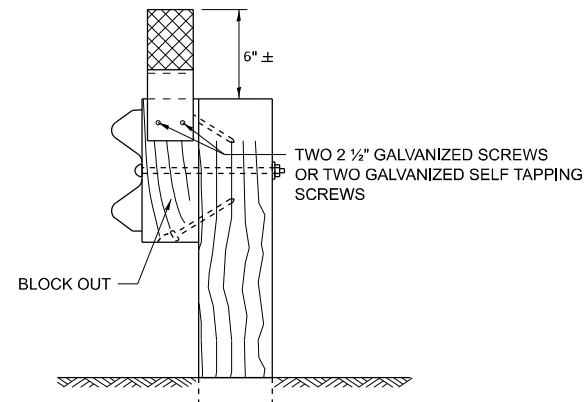
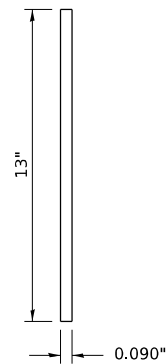
REFLECTORS FOR GUARDRAIL BLOCK OUT OR DELINEATOR POST

ADDITIONAL SHEETING MAY BE ADDED AS NEEDED FOR TURN AROUNDS AS SHOWN IN THE PLANS

STRAIGHT REFLECTOR / DELINEATOR



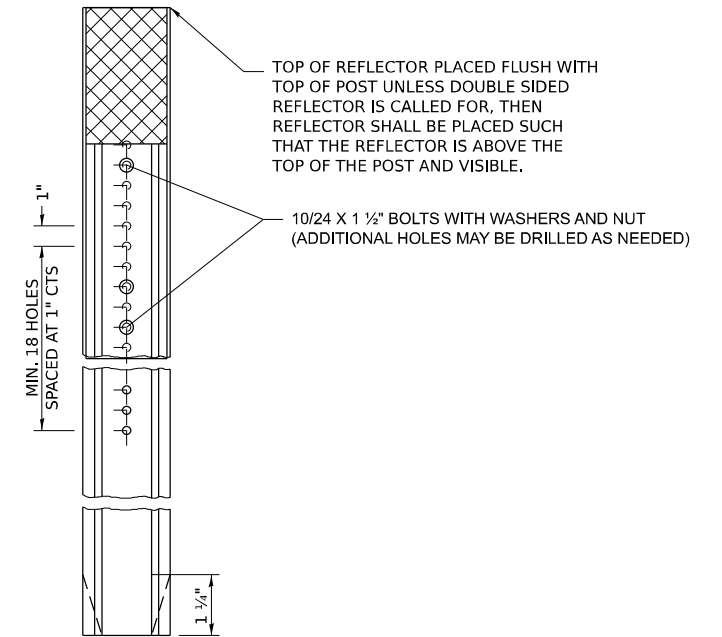
SIDE VIEW



MOUNTED ON A GUARDRAIL BLOCK OUT

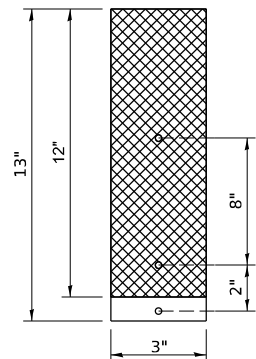
REFLECTORS SHALL BE MOUNTED DIRECTLY TO BLOCK OUTS.

REFLECTORS MOUNTED ON WOODEN OR PLASTIC OR METAL BLOCK OUT SHALL BE MOUNTED USING TWO 2 1/2" GALVANIZED SCREWS WITH WASHERS OR TWO SELF TAPPING GALVANIZED SCREWS WITH WASHERS.

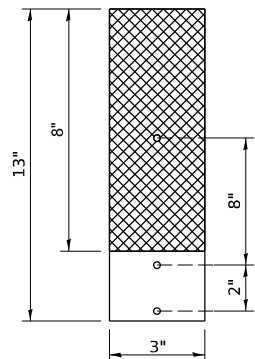


MOUNTED ON A DELINEATOR POST

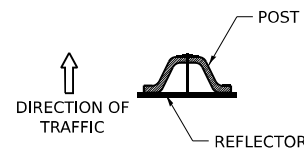
REPLACING 3 BUTTON DELINEATOR



REPLACING 2 BUTTON DELINEATOR



ADDITIONAL HOLES SHALL BE DRILLED IN THE REFLECTORS AS SHOWN ABOVE.



DELINEATORS SHALL BE INSTALLED ACCORDING TO STANDARD 635001 EXCEPT THAT THE POST SHALL BE ROTATED 180°. THE POST WILL HAVE THE WIDE SIDE FACING TRAFFIC AND THE REFLECTOR ATTACHED AS SHOWN ABOVE.

NOTE:

REFLECTORS SHALL BE PAID FOR AT THE CONTRACT UNIT PRICE PER EACH FOR GUARDRAIL REFLECTORS, TYPE C (SPECIAL), WHICH PRICE SHALL ALSO INCLUDE SCREWS, WASHERS OR AN APPROVED BONDING AGENT.

REFLECTORS INSTALLED ON TWO LANE ROADS SHALL BE DOUBLE SIDED AND BOTH SIDES SHALL BE CRYSTAL.

REFLECTORS INSTALLED ON CENTER BARRIER OR IN THE MEDIAN SHALL BE DOUBLE SIDED AND BOTH SIDES SHALL BE AMBER.

REFLECTORS INSTALLED ON DIVIDED HIGHWAYS ON THE OUTSIDE OF THE ROADWAY SHALL BE DOUBLE SIDED CRYSTAL.

SPACING FOR REFLECTORS SHALL BE ACCORDING TO STANDARD 782006 UNLESS OTHERWISE NOTED IN THE PLANS.

NOTE:

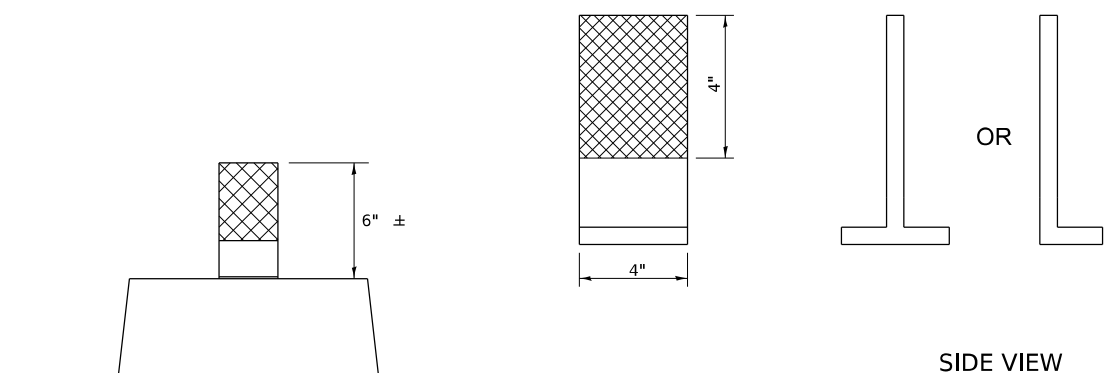
REFLECTORS SHALL BE PAID FOR AT THE CONTRACT UNIT PRICE PER EACH FOR GUARDRAIL REFLECTORS, TYPE C (SPECIAL), WHICH PRICE SHALL ALSO INCLUDE SCREWS, WASHERS OR AN APPROVED BONDING AGENT.

REFLECTORS INSTALLED ON TWO LANE ROADS SHALL BE DOUBLE SIDED AND BOTH SIDES SHALL BE CRYSTAL.

REFLECTORS INSTALLED ON CENTER BARRIER SHALL BE DOUBLE SIDE AND BOTH SIDES SHALL BE AMBER.

REFLECTORS INSTALLED ON DIVIDED HIGHWAYS ALONG THE OUSTIDE OF THE HIGHWAY SHALL BE DOUBLE SIDED CRYSTAL.

SPACING FOR REFLECTORS SHALL BE ACCORDING TO STANDARD 782006 UNLESS OTHERWISE NOTED IN THE PLANS.



REFLECTORS MOUNTED ON BARRIER WALL

MODEL: Default
FILE NAME: L:\8008 KPF08\008.002 P1B 195-018 Bridge Rehab (20911)\Civil\03 CAD\01 Model\1264F28e-std 55.1-ah1.dgn

USER NAME = mbuting	DESIGNED - MGB	REVISED - 3-07-24
	DRAWN - MGB	REVISED - 4-27-23
	CHECKED - HJH	REVISED - 6-21-21
PLOT DATE = 5/30/2024	DATE -	REVISED -

STATE OF ILLINOIS
DEPARTMENT OF TRANSPORTATION

US 20 CROSSING THE GALENA RIVER AND CC&P RR
REGION 2 / DISTRICT 2 STANDARD

SCALE: N.A. SHEET 1 OF 1 SHEETS STA. TO STA.

F.A.P. RTE.	SECTION	COUNTY	TOTAL SHEETS	SHEET NO.
301	(102VBR)BDR	JO DAVIESS	22	22
CONTRACT NO. 64R26				
ILLINOIS FED. AID PROJECT				