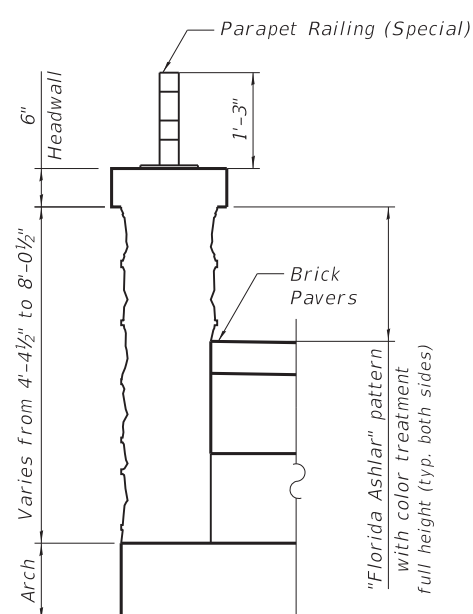


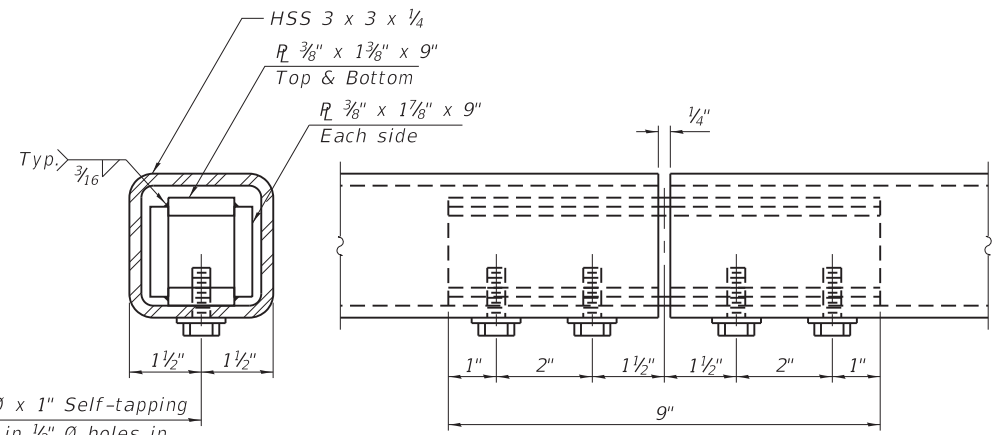
**FORM LINER AND OUTSIDE ELEVATION VIEW**

Limits of Form Liner Textured Surface and Staining Concrete Structures (typ. all walls). No payment will be made beyond the limits shown.

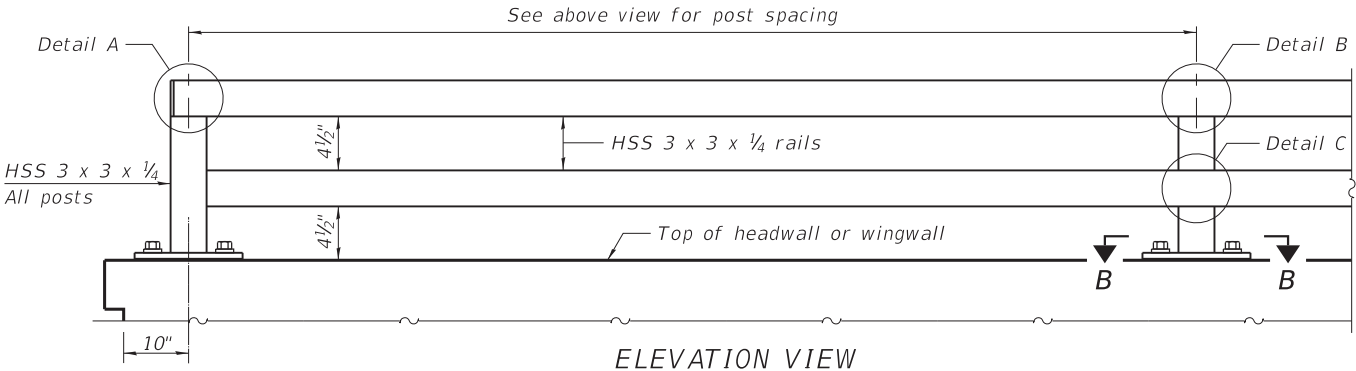


**FORM LINER DETAILS**

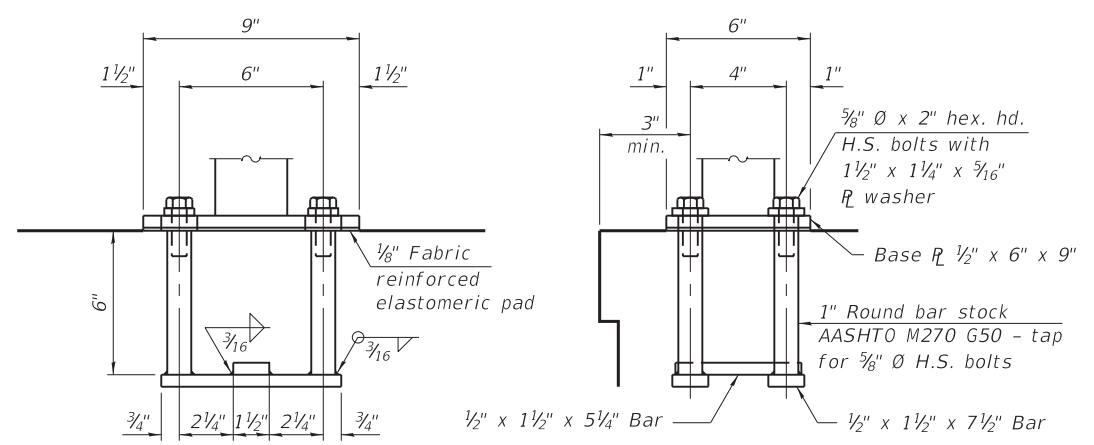
Form liner pattern, texture and color treatment shall be continuous around the perimeter of headwalls and wingwalls.



**MATERIAL SPLICE**

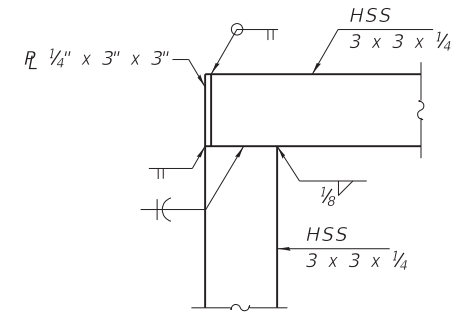


**ELEVATION VIEW**

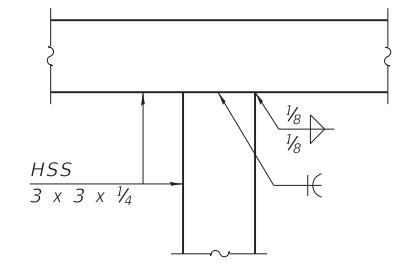


**ANCHORAGE ASSEMBLY**

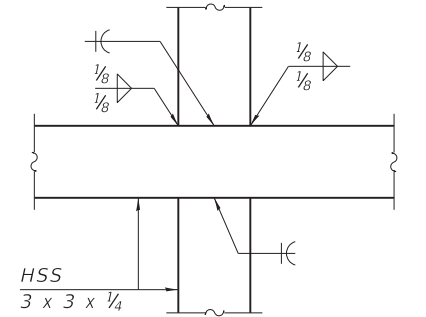
In lieu of the cast-in-place anchor device shown, the Contractor has the option of drilling and setting 5/8" Ø fully threaded anchor rods with the same plate washers as specified above and heavy hex lock nuts according to Article 509.06 of the Standard Specifications. Embedment shall be according to the manufacturer's specifications.



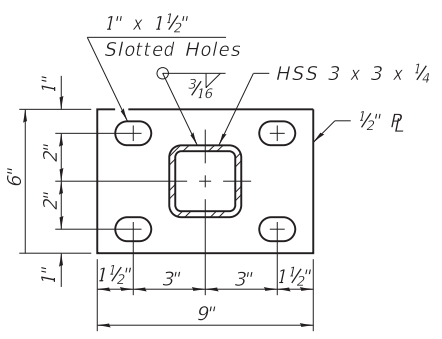
**DETAIL A**



**DETAIL B**



**DETAIL C**



**SECTION B-B**

**Notes:**  
 Place reinforcement bars to miss anchor rod locations.  
 All HSS tubing used for the Parapet Railing shall be CVN tested according to Article 1006.34(b) of the Standard Specifications.  
 All HSS tubing used for the Parapet Railing shall be ASTM A500 grade C.  
 All base plates used for the Parapet Railing shall be AASHTO M270 grade 50.  
 All heavy hex nuts shall be according to ASTM A 563 grade DH.  
 All fully threaded anchor rods shall be ASTM F1554 grade 105.  
 The post base plate shall be fastened to the curb snug tight and given an additional 1/8 turn.  
 Rail splice inserts may be built out of bent plates of the same thicknesses and outside geometry limits as the 4 plate rail splice inserts shown.  
 All posts, rail, splices, anchor devices and plates of the railing shall be powder coated in accordance with the Special Provision for "Parapet Railing (Special)". Final color shall be matte black.

MODEL: Default  
 FILE NAME: P:\ELKGR\181136-Lake Cosman Bridges\CAD\Sheets\Phase II\Structural\181136-Leicester-SHT-505-Architectural Details.dgn  
 10/22/2024 2:09:59 PM

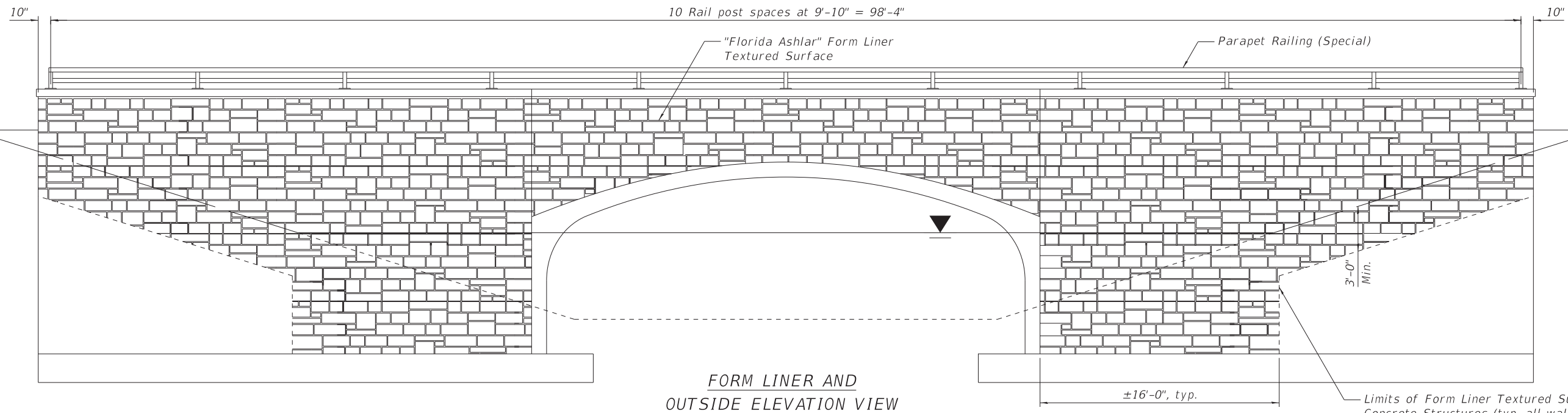


USER NAME = jcoleman	DESIGNED - SMA	REVISED - A 10-17-2024 BLB
DRAWN - SMA	REVISOR -	
PLOT SCALE = 0:1" = 1' / in.	CHECKED - BLB	REVISOR -
PLOT DATE = 10/22/2024	DATE - 10/22/2024	REVISOR -

**STATE OF ILLINOIS  
 DEPARTMENT OF TRANSPORTATION**

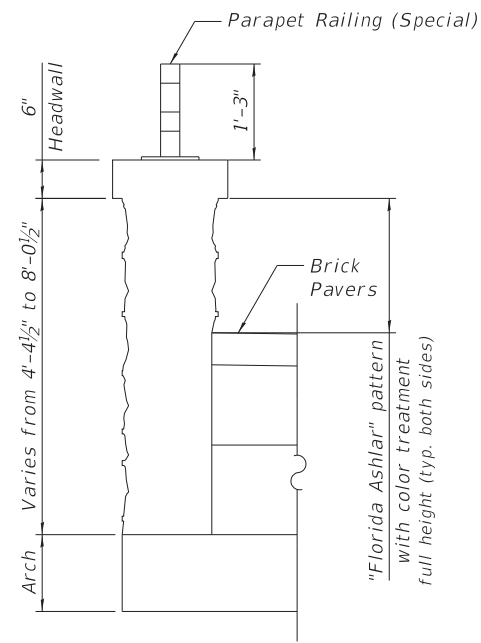
**ARCHITECTURAL DETAILS  
 STRUCTURE NO. 016-7866**

MUN ST	SECTION	COUNTY	TOTAL SHEETS	SHEET NO.
2100	19-00070-00-BR	COOK	59	31
CONTRACT NO. 61K21				
ILLINOIS		FED. AID PROJECT		

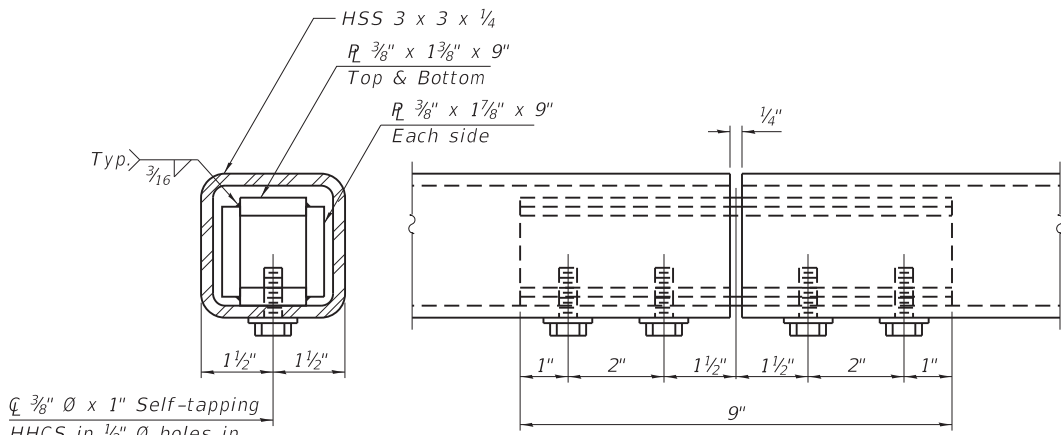


FORM LINER AND  
OUTSIDE ELEVATION VIEW

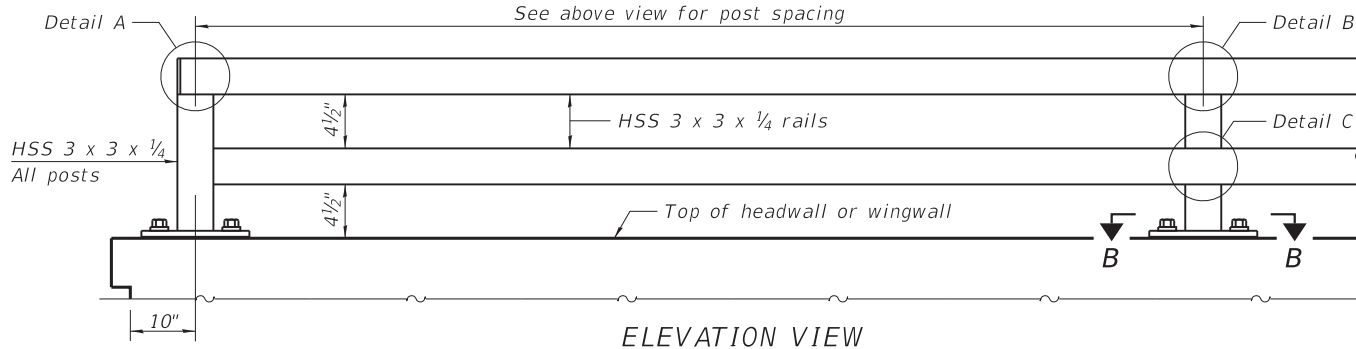
Limits of Form Liner Textured Surface and Staining Concrete Structures (typ. all walls). No payment will be made beyond the limits shown.



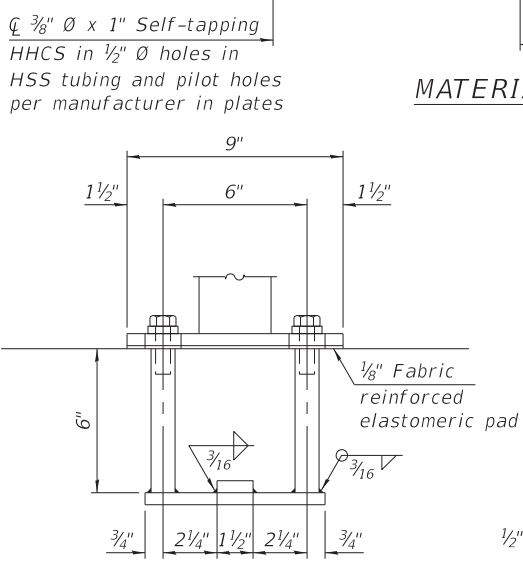
FORM LINER DETAILS  
Form liner pattern, texture and color treatment shall be continuous around the perimeter of headwalls and wingwalls.



MATERIAL SPLICE

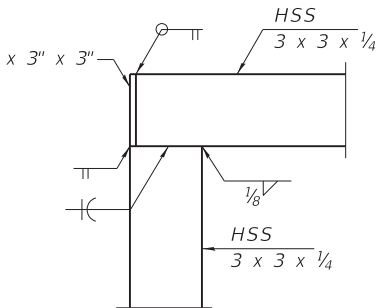


ELEVATION VIEW

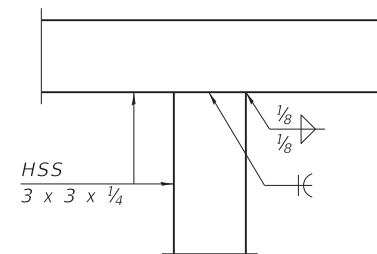


ANCHORAGE ASSEMBLY

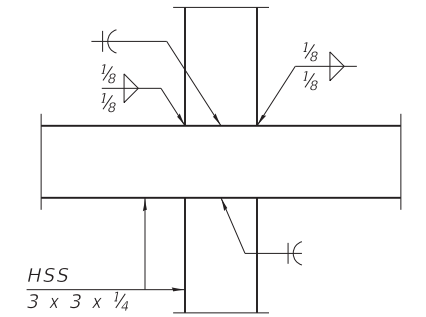
The Bridge Fence Railing Fasteners for end posts near expansion joints may need to be installed prior to installing the bent plates. In lieu of the cast-in-place anchor device shown, the Contractor has the option of drilling and setting 5/8" Ø fully threaded anchor rods with the same plate washers as specified above and heavy hex lock nuts according to Article 509.06 of the Standard Specifications. Embedment shall be according to the manufacturer's specifications.



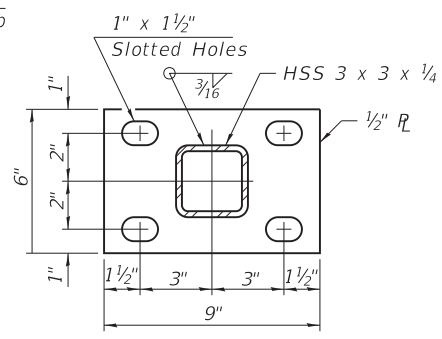
DETAIL A



DETAIL B



DETAIL C



SECTION B-B

Notes:  
Place reinforcement bars to miss anchor rod locations.  
All HSS tubing used for the Parapet Railing shall be CVN tested according to Article 1006.34(b) of the Standard Specifications.  
All HSS tubing used for the Parapet Railing shall be ASTM A500 grade C.  
All base plates used for the Parapet Railing shall be AASHTO M270 grade 50.  
All heavy hex nuts shall be according to ASTM A 563 grade DH.  
All fully threaded anchor rods shall be ASTM F1554 grade 105.  
The post base plate shall be fastened to the curb snug tight and given an additional 1/8 turn.  
Rail splice inserts may be built out of bent plates of the same thicknesses and outside geometry limits as the 4 plate rail splice inserts shown.  
All posts, rail, splices, anchor devices and plates of the railing shall be powder coated in accordance with the Special Provision for "Parapet Railing (Special)". Final color shall be matte black.

MODEL: Default  
FILE NAME: P:\ELKGR\181136-Lake Cosman Bridges\CAD\Sheets\Phase I\Structural\181136-Wellington-SHT-505-Architectural Details.dgn

**BAXTER & WOODMAN**  
Consulting Engineers

USER NAME = jcoleman	DESIGNED - EBK	REVISED - A 10-17-2024 BLB
DRAWN - EBK	REVISIONS -	
PLOT SCALE = 0:1" = 1' / in.	CHECKED - BLB	REVISIONS -
PLOT DATE = 10/22/2024	DATE - 10/22/2024	REVISIONS -

STATE OF ILLINOIS  
DEPARTMENT OF TRANSPORTATION

ARCHITECTURAL DETAILS  
STRUCTURE NO. 016-7865

MUN ST	SECTION	COUNTY	TOTAL SHEETS	SHEET NO.
2080	19-00070-00-BR	COOK	59	39
CONTRACT NO. 61K21				
ILLINOIS FED. AID PROJECT				

SHEET 52-05 OF 52-08 SHEETS