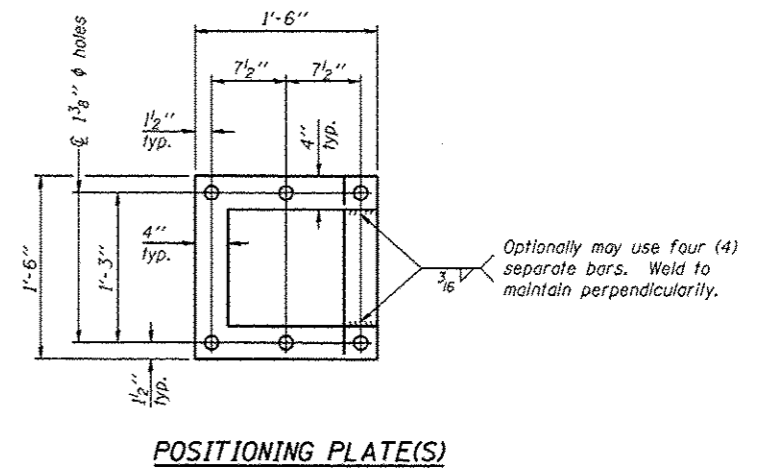


BAR LIST - EACH FOUNDATION

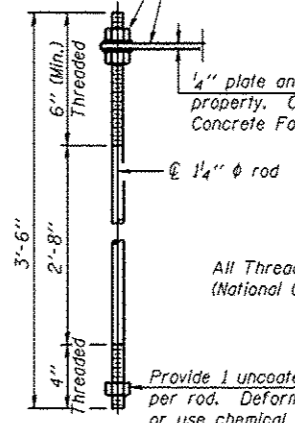
Bar	Number	Size	Length	Shape
1(E)	12	#5	*	—
u(E)	18	#4	14'-3"	—
v(E)	28	#5	4'-1"	—
v ₁ (E)	28	#5	*	—
w(E)	39	#5	7'-3"	—

*Length of 1(E) bar = (Dim. M) - 6"
 v₁(E) bar = (Dim. N) - 3"



POSITIONING PLATE(S)

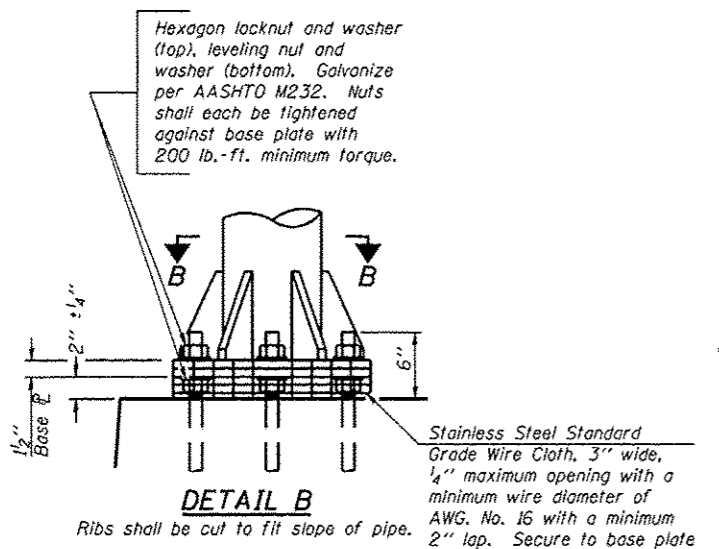
At each location, provide 1/4" thick positioning plate(s) and six (6) additional nuts to be used with leveling nuts to maintain anchor bolts position during concrete placement.



ANCHOR ROD DETAIL
 Drilled Shaft Foundation

All Thread = NC (National Coarse)

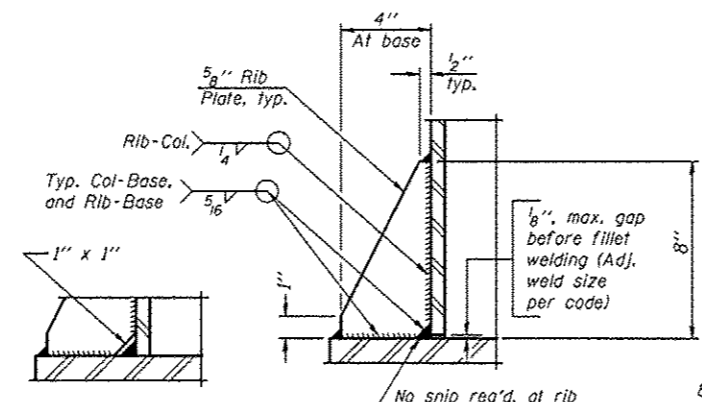
Provide 1 uncoated nut per rod. Deform thread or use chemical thread lock to secure.



DETAIL B

Ribs shall be cut to fit slope of pipe.

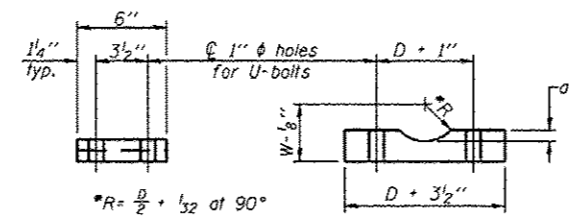
Stainless Steel Standard Grade Wire Cloth, 3" wide, 1/4" maximum opening with a minimum wire diameter of AWG. No. 16 with a minimum 2" lap. Secure to base plate after erection with 3/4" stainless steel banding.



SECTION D-D

** Alternate detail if welding col. to base plate first, then snip inside corner of ribs. Terminate weld on rib 1/4" from snip.

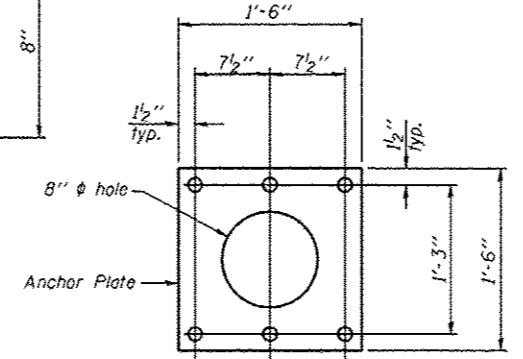
No snip req'd. of rib inside corner if placed before col. to base plate welding.



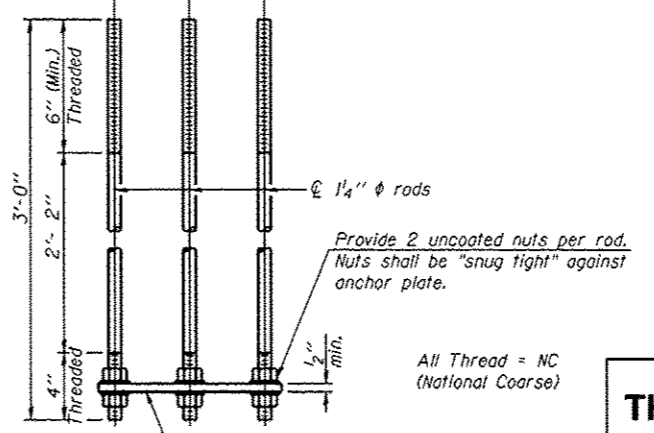
SADDLE SHIM DETAIL

ASTM B26 Alloy 356-F
 or
 ASTM B209 Alloy 6061-T651 (4 required per sign truss)

Truss Chord Nominal Dia.	a
5"	3 1/2"
5 1/2"	13 1/16"
6"	7 7/8"
6 1/2"	15 1/16"
7"	1"



Anchor Plate



ANCHOR ROD DETAIL
 Spread Footing Foundation

All Thread = NC (National Coarse)

Provide 2 uncoated nuts per rod. Nuts shall be "snug tight" against anchor plate.

Structure Number	Station
3C0461057R311.5	208+43 NB
3C046U045L004.9	136+42 RT
3C046U045R005.1	127+21 LT
3C046S017L011.2	19+93 LT
3C046S017R014.1	130+84 RT
3C046S017L014.3	135+90 LT

THIS SHEET FOR INFORMATION ONLY
LOCATION 1 THROUGH 6