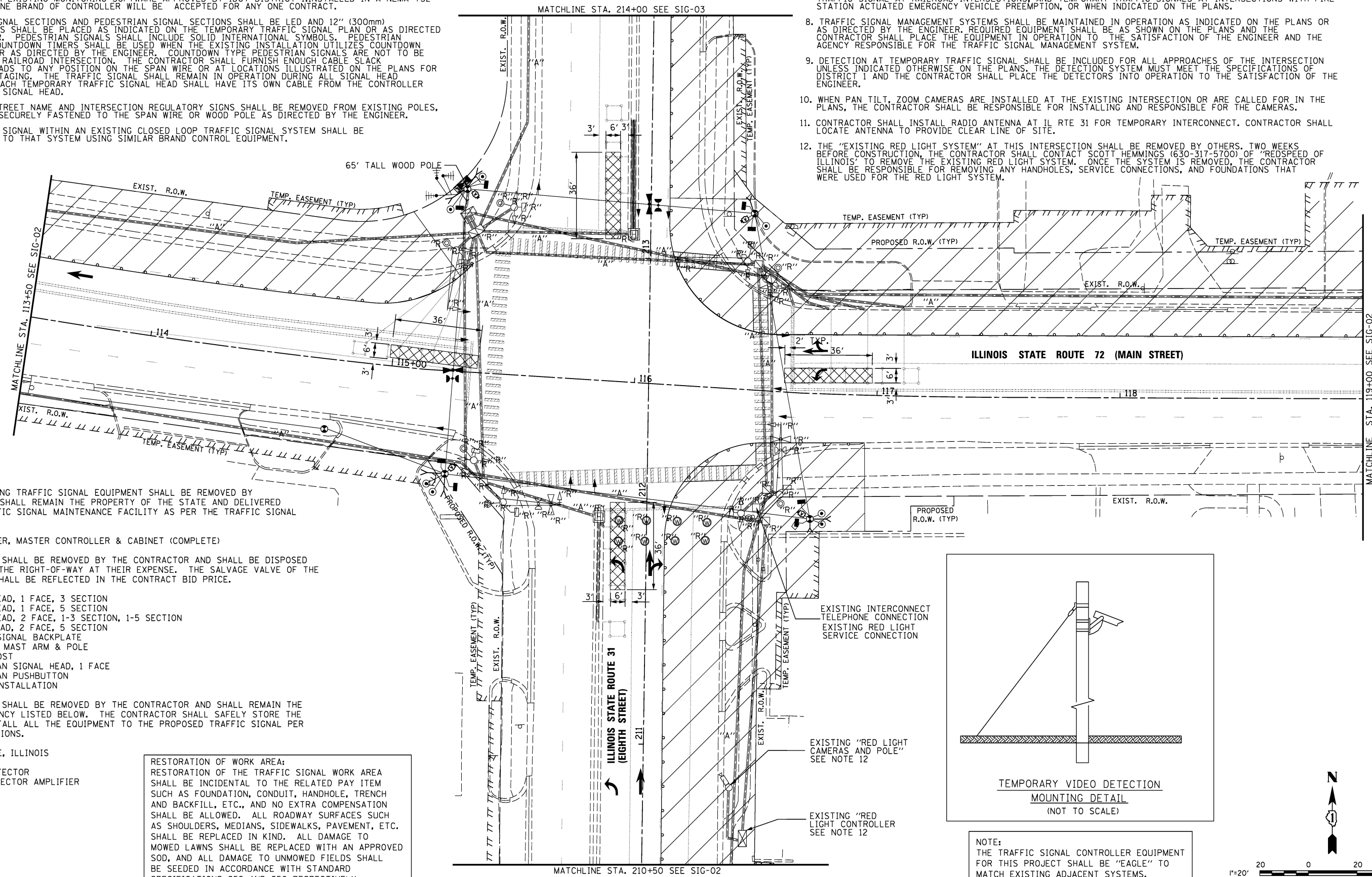


NOTES FOR TEMPORARY TRAFFIC SIGNALS

1. ALL CONTROL EQUIPMENT INCLUDING EMERGENCY PRE-EMPTION AND COMMUNICATION DEVICES FOR THE TEMPORARY TRAFFIC SIGNAL(S) SHALL BE FURNISHED BY THE CONTRACTOR.
2. ONLY CONTROLLERS SUPPLIED BY ONE OF THE DISTRICT APPROVED CLOSED LOOP EQUIPMENT MANUFACTURERS WILL BE APPROVED FOR USE AT TEMPORARY SIGNAL LOCATIONS. ALL CONTROLLERS USED FOR TEMPORARY TRAFFIC SIGNALS SHALL BE FULLY ACTUATED NEMA MICROPROCESSOR BASED WITH RS232 DATA ENTRY PORTS COMPATIBLE WITH EXISTING MONITORING SOFTWARE APPROVED BY IDOT DISTRICT 1. INSTALLED IN A NEMA TS2 CABINET. ONLY ONE BRAND OF CONTROLLER WILL BE ACCEPTED FOR ANY ONE CONTRACT.
3. ALL TRAFFIC SIGNAL SECTIONS AND PEDESTRIAN SIGNAL SECTIONS SHALL BE LED AND 12" (300mm) DIAMETER. HEADS SHALL BE PLACED AS INDICATED ON THE TEMPORARY TRAFFIC SIGNAL PLAN OR AS DIRECTED BY THE ENGINEER. PEDESTRIAN SIGNALS SHALL INCLUDE SOLID INTERNATIONAL SYMBOLS. PEDESTRIAN SIGNALS WITH COUNTDOWN TIMERS SHALL BE USED WHEN THE EXISTING INSTALLATION UTILIZES COUNTDOWN TYPE OR TYPE OR AS DIRECTED BY THE ENGINEER. COUNTDOWN TYPE PEDESTRIAN SIGNALS ARE NOT TO BE INSTALLED AT A RAILROAD INTERSECTION. THE CONTRACTOR SHALL FURNISH ENOUGH CABLE SLACK TO RELOCATE HEADS TO ANY POSITION ON THE SPAN WIRE OR AT LOCATIONS ILLUSTRATED ON THE PLANS FOR CONSTRUCTION STAGING. THE TRAFFIC SIGNAL SHALL REMAIN IN OPERATION DURING ALL SIGNAL HEAD RELOCATIONS. EACH TEMPORARY TRAFFIC SIGNAL HEAD SHALL HAVE ITS OWN CABLE FROM THE CONTROLLER CABINET TO THE SIGNAL HEAD.
4. ALL EXISTING STREET NAME AND INTERSECTION REGULATORY SIGNS SHALL BE REMOVED FROM EXISTING POLES, RELOCATED AND SECURELY FASTENED TO THE SPAN WIRE OR WOOD POLE AS DIRECTED BY THE ENGINEER.
5. ANY TEMPORARY SIGNAL WITHIN AN EXISTING CLOSED LOOP TRAFFIC SIGNAL SYSTEM SHALL BE INTERCONNECTED TO THAT SYSTEM USING SIMILAR BRAND CONTROL EQUIPMENT.

NOTES FOR TEMPORARY TRAFFIC SIGNALS

6. THE TEMPORARY TRAFFIC SIGNAL SHALL HAVE THE SIGNAL HEAD DISPLAYS, SIGNAL HEAD PLACEMENT AND CONTROLLER PHASING MATCH THE EXISTING TRAFFIC SIGNAL, AT THE TIME OF THE TURN ON, IF NO TRAFFIC STAGING IS IN PLACE OR WILL NOT BE STAGED ON THE DAY OF THE TURN ON.
7. UNINTERRUPTIBLE POWER SUPPLY (UPS) SYSTEMS SHALL BE INSTALLED AND MADE OPERATIONAL AT TEMPORARY TRAFFIC SIGNAL INSTALLATIONS WHERE UPS IS INSTALLED AT THE EXISTING TRAFFIC SIGNALS TEMPORARY TRAFFIC SIGNAL AT RAILROAD INTERSECTIONS, AND TEMPORARY TRAFFIC SIGNALS AT INTERSECTIONS WITH FIRE STATION ACTUATED EMERGENCY VEHICLE PREEMPTION, OR WHEN INDICATED ON THE PLANS.
8. TRAFFIC SIGNAL MANAGEMENT SYSTEMS SHALL BE MAINTAINED IN OPERATION AS INDICATED ON THE PLANS OR AS DIRECTED BY THE ENGINEER. REQUIRED EQUIPMENT SHALL BE AS SHOWN ON THE PLANS AND THE CONTRACTOR SHALL PLACE THE EQUIPMENT IN OPERATION TO THE SATISFACTION OF THE ENGINEER AND THE AGENCY RESPONSIBLE FOR THE TRAFFIC SIGNAL MANAGEMENT SYSTEM.
9. DETECTION AT TEMPORARY TRAFFIC SIGNAL SHALL BE INCLUDED FOR ALL APPROACHES OF THE INTERSECTION UNLESS INDICATED OTHERWISE ON THE PLANS. THE DETECTION SYSTEM MUST MEET THE SPECIFICATIONS OF DISTRICT 1 AND THE CONTRACTOR SHALL PLACE THE DETECTORS INTO OPERATION TO THE SATISFACTION OF THE ENGINEER.
10. WHEN PAN TILT, ZOOM CAMERAS ARE INSTALLED AT THE EXISTING INTERSECTION OR ARE CALLED FOR IN THE PLANS, THE CONTRACTOR SHALL BE RESPONSIBLE FOR INSTALLING AND RESPONSIBLE FOR THE CAMERAS.
11. CONTRACTOR SHALL INSTALL RADIO ANTENNA AT IL RTE 31 FOR TEMPORARY INTERCONNECT. CONTRACTOR SHALL LOCATE ANTENNA TO PROVIDE CLEAR LINE OF SITE.
12. THE "EXISTING RED LIGHT SYSTEM" AT THIS INTERSECTION SHALL BE REMOVED BY OTHERS. TWO WEEKS BEFORE CONSTRUCTION, THE CONTRACTOR SHALL CONTACT SCOTT HEMMINGS (630-317-5700) OF "REDSPEED OF ILLINOIS" TO REMOVE THE EXISTING RED LIGHT SYSTEM. ONCE THE SYSTEM IS REMOVED, THE CONTRACTOR SHALL BE RESPONSIBLE FOR REMOVING ANY HANDHOLES, SERVICE CONNECTIONS, AND FOUNDATIONS THAT WERE USED FOR THE RED LIGHT SYSTEM.



THE FOLLOWING EXISTING TRAFFIC SIGNAL EQUIPMENT SHALL BE REMOVED BY THE CONTRACTOR AND SHALL REMAIN THE PROPERTY OF THE STATE AND DELIVERED TO THE STATE'S TRAFFIC SIGNAL MAINTENANCE FACILITY AS PER THE TRAFFIC SIGNAL SPECIFICATIONS.

1 EACH CONTROLLER, MASTER CONTROLLER & CABINET (COMPLETE)

THE FOLLOWING ITEMS SHALL BE REMOVED BY THE CONTRACTOR AND SHALL BE DISPOSED OF BY THEM OUTSIDE THE RIGHT-OF-WAY AT THEIR EXPENSE. THE SALVAGE VALUE OF THE REMOVED EQUIPMENT SHALL BE REFLECTED IN THE CONTRACT BID PRICE.

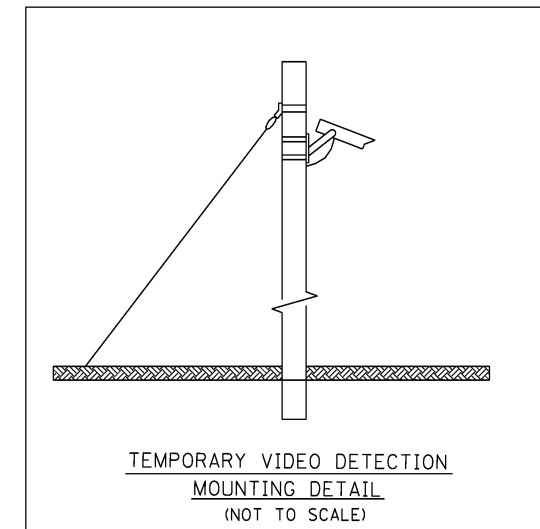
- 3 EACH SIGNAL HEAD, 1 FACE, 3 SECTION
- 5 EACH SIGNAL HEAD, 1 FACE, 5 SECTION
- 3 EACH SIGNAL HEAD, 2 FACE, 1-3 SECTION, 1-5 SECTION
- 1 EACH SIGNAL HEAD, 2 FACE, 5 SECTION
- 4 EACH TRAFFIC SIGNAL BACKPLATE
- 4 EACH ALUMINUM MAST ARM & POLE
- 4 EACH SIGNAL POST
- 8 EACH PEDESTRIAN SIGNAL HEAD, 1 FACE
- 8 EACH PEDESTRIAN PUSHBUTTON
- 1 EACH SERVICE INSTALLATION

THE FOLLOWING ITEMS SHALL BE REMOVED BY THE CONTRACTOR AND SHALL REMAIN THE PROPERTY OF THE AGENCY LISTED BELOW. THE CONTRACTOR SHALL SAFELY STORE THE EQUIPMENT AND REINSTALL ALL THE EQUIPMENT TO THE PROPOSED TRAFFIC SIGNAL PER PLANS AND SPECIFICATIONS.

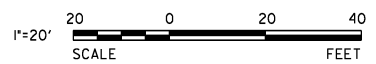
AGENCY: WEST DUNDEE, ILLINOIS

- 2 EACH LIGHT DETECTOR
- 1 EACH LIGHT DETECTOR AMPLIFIER

RESTORATION OF WORK AREA:
 RESTORATION OF THE TRAFFIC SIGNAL WORK AREA SHALL BE INCIDENTAL TO THE RELATED PAY ITEM SUCH AS FOUNDATION, CONDUIT, HANDHOLE, TRENCH AND BACKFILL, ETC., AND NO EXTRA COMPENSATION SHALL BE ALLOWED. ALL ROADWAY SURFACES SUCH AS SHOULDERS, MEDIANS, SIDEWALKS, PAVEMENT, ETC. SHALL BE REPLACED IN KIND. ALL DAMAGE TO MOWED LAWNS SHALL BE REPLACED WITH AN APPROVED SOD, AND ALL DAMAGE TO UNMOWED FIELDS SHALL BE SEEDED IN ACCORDANCE WITH STANDARD SPECIFICATIONS 252 AND 250 RESPECTIVELY.



NOTE:
 THE TRAFFIC SIGNAL CONTROLLER EQUIPMENT FOR THIS PROJECT SHALL BE "EAGLE" TO MATCH EXISTING ADJACENT SYSTEMS.



USER NAME = #USER#	DESIGNED <i>ESI</i>	REVISED -
PLOT SCALE = #SCALE#	DRAWN <i>ESI</i>	REVISED -
PLOT DATE = #DATE#	CHECKED <i>GJS</i>	REVISED -
	DATE <i>07/03/12</i>	REVISED -

**STATE OF ILLINOIS
 DEPARTMENT OF TRANSPORTATION**

**IL 31 (8TH ST) & IL 72 (MAIN ST):
 TEMPORARY TRAFFIC SIGNAL INSTALLATION AND
 REMOVE EXISTING TRAFFIC SIGNAL EQUIPMENT - STAGE 1**

F.A.U. RTE.	SECTION	COUNTY	TOTAL SHEETS	SHEET NO.
3887	S-N	KANE	153	102
CONTRACT NO. 60A95			FED. ROAD DIST. NO. 1 ILLINOIS FED. AID PROJECT	

SCALE: 1" = 20' SHEET NO. 1 OF 16 SHEETS STA. TO STA.