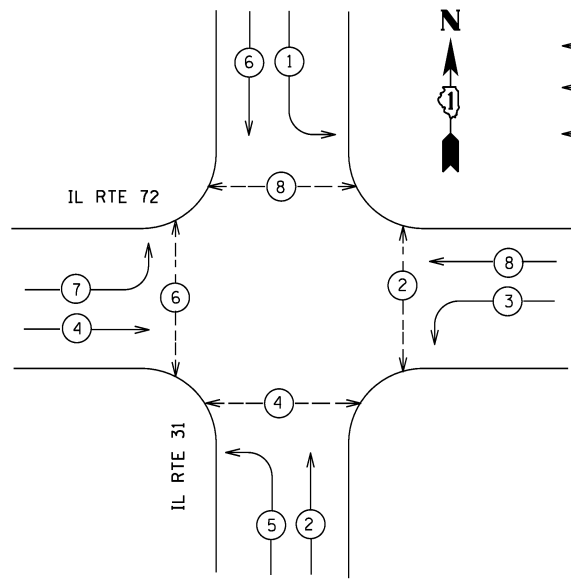
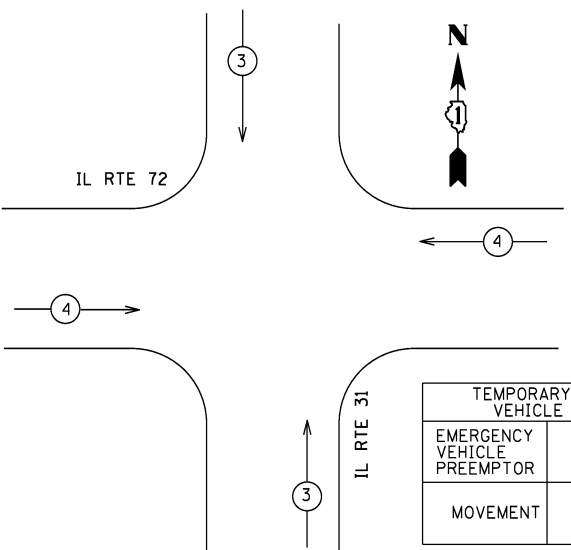


TEMPORARY CONTROLLER SEQUENCE



TEMPORARY PHASE DESIGNATION DIAGRAM



TEMPORARY EMERGENCY VEHICLE PREEMPTOR		
EMERGENCY VEHICLE PREEMPTOR	3	4
MOVEMENT	↓ ↑	← →

TEMPORARY EMERGENCY VEHICLE PREEMPTION SEQUENCE

TRAFFIC SIGNAL INSTALLATION ELECTRICAL SERVICE REQUIREMENTS					TOTAL WATTAGE
TYPE	NO. LAMPS	WATTAGE INCAND.	LED	% OPERATION	
SIGNAL (RED)	12	17		0.50	102.00
(YELLOW)	12	25		0.25	75.00
(GREEN)	12	15		0.25	45.00
ARROW	24	12		0.10	28.80
PED. SIGNAL	8	25		1.00	200.00
CONTROLLER	1	100		1.00	100.00
ILLUM. SIGN	4			0.05	
STREET LIGHTS		310		0.50	
FLASHER				0.50	
ENERGY COSTS TO: IDOT DIVISION OF HIGHWAYS TOTAL =					550.8

ENERGY SUPPLY CONTACT: TIM TAMASON  
PHONE: 847-816-5521  
COMPANY: COMED

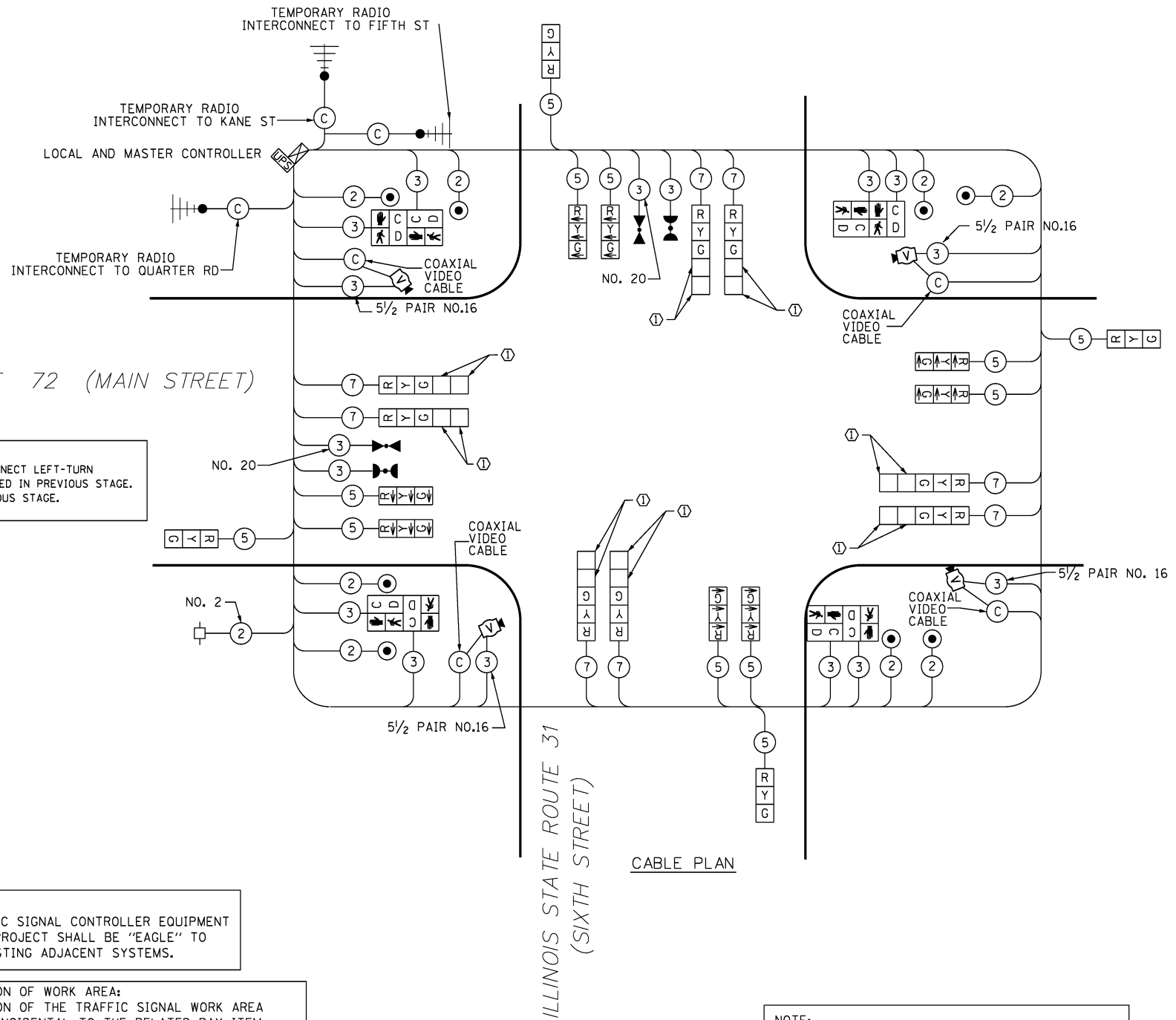
NOTES:  
① AT THE BEGINNING OF STAGE 3, BAG AND DISCONNECT LEFT-TURN ARROW SIGNAL INDICATIONS PREVIOUSLY INSTALLED IN PREVIOUS STAGE. REUSE 7-CONDUCTOR CABLE INSTALLED IN PREVIOUS STAGE.

NOTE:  
THE TRAFFIC SIGNAL CONTROLLER EQUIPMENT FOR THIS PROJECT SHALL BE "EAGLE" TO MATCH EXISTING ADJACENT SYSTEMS.

RESTORATION OF WORK AREA:  
RESTORATION OF THE TRAFFIC SIGNAL WORK AREA SHALL BE INCIDENTAL TO THE RELATED PAY ITEM SUCH AS FOUNDATION, CONDUIT, HANDHOLE, TRENCH AND BACKFILL, ETC., AND NO EXTRA COMPENSATION SHALL BE ALLOWED. ALL ROADWAY SURFACES SUCH AS SHOULDERS, MEDIANS, SIDEWALKS, PAVEMENT, ETC. SHALL BE REPLACED IN KIND. ALL DAMAGE TO MOWED LAWNS SHALL BE REPLACED WITH AN APPROVED SOD, AND ALL DAMAGE TO UNMOWED FIELDS SHALL BE SEEDED IN ACCORDANCE WITH STANDARD SPECIFICATIONS 252 AND 250 RESPECTIVELY.

NOTE:  
EMERGENCY VEHICLE PREEMPTION EQUIPMENT TO BE OPTICOM PER VILLAGE OF WEST DUNDEE.

ILLINOIS STATE ROUTE 72 (MAIN STREET)



CABLE PLAN



USER NAME = #USER#	DESIGNED <i>ESI</i>	REVISED -
PLOT SCALE = #SCALE#	DRAWN <i>ESI</i>	REVISED -
PLOT DATE = #DATE#	CHECKED <i>GJS</i>	REVISED -
	DATE <i>07/03/12</i>	REVISED -

STATE OF ILLINOIS  
DEPARTMENT OF TRANSPORTATION

IL 31 (8TH ST) & IL 72 (MAIN ST): TEMPORARY CABLE PLAN AND TEMPORARY PHASE DESIGNATION DIAGRAM - STAGE 3			
SCALE: 1" = 20'	SHEET NO. 8 OF 16 SHEETS	STA. TO STA.	

F.A.U. RTE.	SECTION	COUNTY	TOTAL SHEETS	SHEET NO.
3887	S-N	KANE	153	109
CONTRACT NO. 60A95				
FED. ROAD DIST. NO. 1 ILLINOIS FED. AID PROJECT				