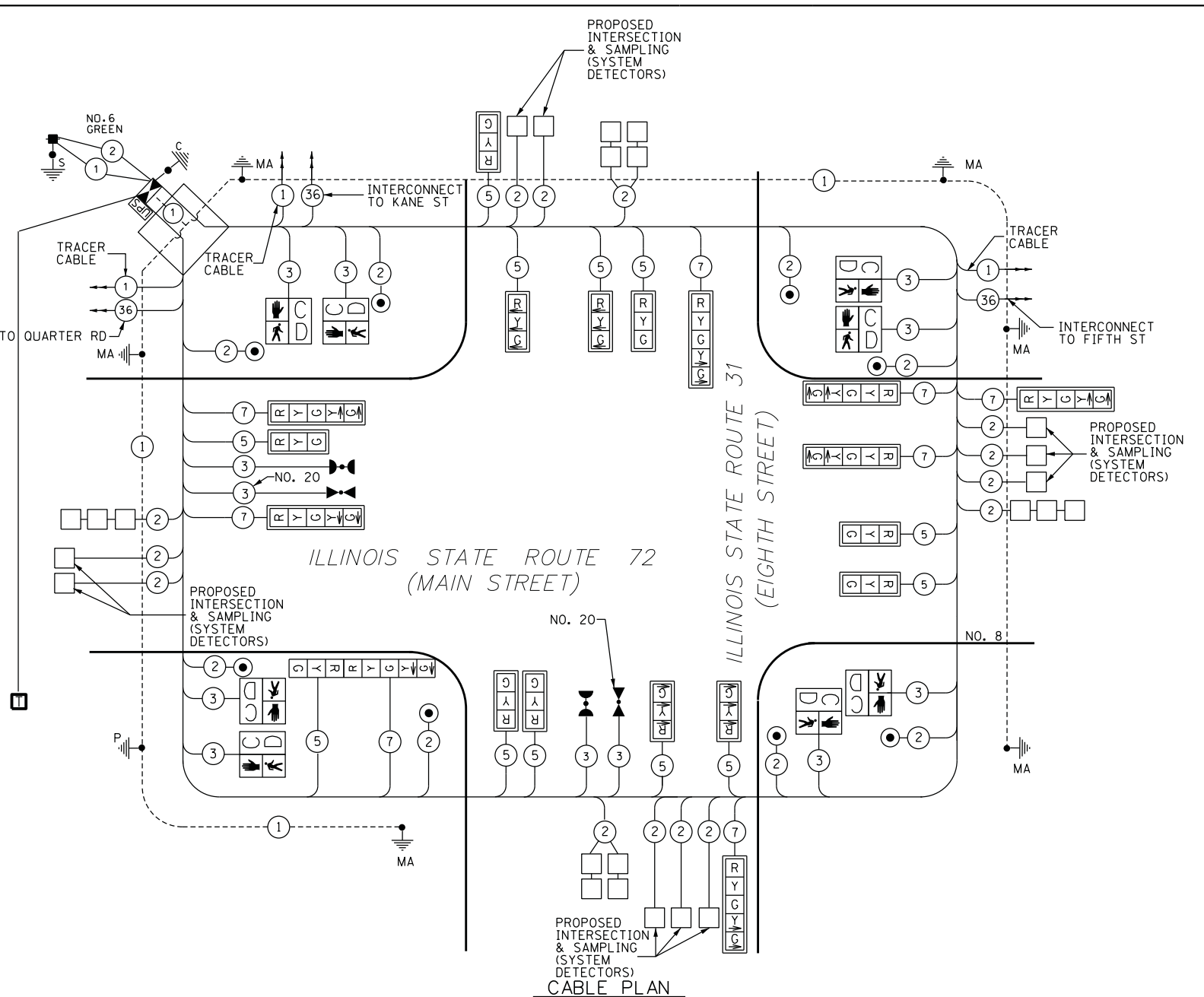


**EMERGENCY VEHICLE PREEMPTION SEQUENCE**

TRAFFIC SIGNAL INSTALLATION ELECTRICAL SERVICE REQUIREMENTS					TOTAL WATTAGE
TYPE	NO. LAMPS*	WATTAGE INCAND. LED	%OPERATION		
SIGNAL (RED)	20	17	0.50	170.00	
(YELLOW)	20	25	0.25	125.00	
(GREEN)	20	15	0.25	75.00	
ARROW	16	12	0.10	19.20	
PED. SIGNAL	16	25	1.00	200.00	
CONTROLLER	8	100	1.00	100.00	
ILLUM. SIGN	1		0.05	0.0	
FLASHER			0.50		
ENERGY COSTS TO: IDOT DIVISION OF HIGHWAYS TOTAL = 689.20					
DISTRICT 1 201 W. CENTER COURT SCHAUMBURG, IL 60196					
ENERGY SUPPLY CONTACT: TIM TAMASON					
PHONE: 847-816-5521					
COMPANY: COMED					



**SCHEDULE OF QUANTITIES**

IDOT PAY CODE ITEM	UNITS	QUANTITIES	IDOT PAY ITEM	UNITS	QUANTITIES
SIGN PANEL - TYPE 1	SO FT	30	STEEL MAST ARM ASSEMBLY & POLE, 20 FT	EACH	1
SIGN PANEL - TYPE 2	SO FT	50	STEEL MAST ARM ASSEMBLY & POLE, 40 FT	EACH	2
SERVICE INSTALLATION, POLE MOUNTED	EACH	1	STEEL MAST ARM ASSEMBLY & POLE, 52 FT	EACH	1
UNDERGROUND CONDUIT, GALVANIZED STEEL, 2" DIA.	FOOT	2257	STEEL MAST ARM ASSEMBLY & POLE, WITH DUAL MAST ARMS 55 FT AND 34 FT	EACH	1
UNDERGROUND CONDUIT, GALVANIZED STEEL, 2 1/2" DIA.	FOOT	19	CONCRETE FOUNDATION, TYPE A	FOOT	8
UNDERGROUND CONDUIT, GALVANIZED STEEL, 3" DIA.	FOOT	67	CONCRETE FOUNDATION, TYPE C	FOOT	4
UNDERGROUND CONDUIT, GALVANIZED STEEL, 4" DIA.	FOOT	362	CONCRETE FOUNDATION, TYPE E, 36 DIAMETER	FOOT	73
HANDHOLE	EACH	8	DRILL EXISTING HANDHOLE	EACH	3
HEAVY DUTY HANDHOLE	EACH	4	SIGNAL HEAD, LED, 1-FACE, 3-SECTION, MAST ARM MOUNTED	EACH	11
DOUBLE HANDHOLE	EACH	2	SIGNAL HEAD, LED, 1-FACE, 5-SECTION, MAST ARM MOUNTED	EACH	7
MASTER CONTROLLER (SPECIAL)	EACH	1	SIGNAL HEAD, LED, 2-FACE, 1-3 SECTION, 1-5 SECTION, BRACKET MOUNTED	EACH	1
TRANSCEIVER - FIBER OPTIC	EACH	1	PEDESTRIAN SIGNAL HEAD, LED, 1-FACE, BRACKET MOUNTED WITH COUNTDOWN TIMER	EACH	8
ELECTRIC CABLE IN CONDUIT, SIGNAL NO 14 2C	FOOT	1452	TRAFFIC SIGNAL BACKPLATE	EACH	18
ELECTRIC CABLE IN CONDUIT, SIGNAL NO 14 3C	FOOT	1792	INDUCTIVE LOOP DETECTOR	EACH	14
ELECTRIC CABLE IN CONDUIT, SIGNAL NO 14 5C	FOOT	2528	DETECTOR LOOP, TYPE 1	FOOT	1003
ELECTRIC CABLE IN CONDUIT, SIGNAL NO 14 7C	FOOT	1807	LIGHT DETECTOR	EACH	2
EMERGENCY VEHICLE PRIORITY SYSTEM LINE SENSOR CABLE NO 20 1/C	FOOT	339	LIGHT DETECTOR AMPLIFIER	EACH	1
ELECTRIC CABLE IN CONDUIT, LEAD-IN, NO 14 1 PAIR	FOOT	4582	PEDESTRIAN PUSH-BUTTON	EACH	8
ELECTRIC CABLE IN CONDUIT, SERVICE, NO 6 2C	FOOT	158	TEMPORARY TRAFFIC SIGNAL INSTALLATION	EACH	1
ELECTRIC CABLE IN CONDUIT, EQUIPMENT GROUNDING CABLE NO 6 1C	FOOT	589	REMOVE EXISTING TRAFFIC SIGNAL EQUIPMENT	EACH	1
TRAFFIC SIGNAL POST, 16	EACH	1	REMOVE EXISTING HANDHOLE	EACH	13
STEEL MAST ARM ASSEMBLY AND POLE, 16 FT.	EACH	1	REMOVE EXISTING CONCRETE FOUNDATION	EACH	11
PEDESTRIAN PUSH BUTTON POST	EACH	1	FULL-ACTUATED CONTROLLER AND TYPE V CABINET, SPECIAL	EACH	1
			UNINTERRUPTABLE POWER SUPPLY, SPECIAL	EACH	1
			TEMPORARY TRAFFIC SIGNAL TIMING	EACH	1

\* 100% OF EMERGENCY VEHICLE PREEMPTION EQUIPMENT COSTS WILL BE PAID BY VILLAGE OF WEST DUNDEE.

NOTE:  
EMERGENCY VEHICLE PREEMPTION EQUIPMENT SHALL BE OPTICOM PER VILLAGE OF WEST DUNDEE AS FOLLOWS:  
OPTICOM PRIORITY CONTROL SYSTEM-  
OPTICOM MODEL 764 MULTIMODE PHASE SELECTOR  
OPTICOM MODEL 138 DETECTOR CABLE  
OPTICOM MODELS 722 DETECTORS

NOTE:  
THE TRAFFIC SIGNAL CONTROLLER EQUIPMENT FOR THIS PROJECT SHALL BE "EAGLE" TO MATCH EXISTING ADJACENT SYSTEMS.

RESTORATION OF WORK AREA:  
RESTORATION OF THE TRAFFIC SIGNAL WORK AREA SHALL BE INCIDENTAL TO THE RELATED PAY ITEM SUCH AS FOUNDATION, CONDUIT, HANDHOLE, TRENCH AND BACKFILL, ETC., AND NO EXTRA COMPENSATION SHALL BE ALLOWED. ALL ROADWAY SURFACES SUCH AS SHOULDERS, MEDIANS, SIDEWALKS, PAVEMENT, ETC. SHALL BE REPLACED IN KIND. ALL DAMAGE TO MOWED LAWNS SHALL BE REPLACED WITH AN APPROVED SOD, AND ALL DAMAGE TO UNMOWED FIELDS SHALL BE SEEDED IN ACCORDANCE WITH STANDARD SPECIFICATIONS 252 AND 250 RESPECTIVELY.

NOTE:  
EQUIPMENT GROUND CONDUCTOR (GREEN COLOR CODED) SPLICE TO FRAME AND COVER IS REQUIRED FOR ALL HANDHOLES OR DOUBLE HANDHOLES THAT CARRY SIGNAL CABLES AND SERVICE CABLES.



USER NAME = *USER*	DESIGNED <i>ESI</i>	REVISED - <i>08/29/12</i>
	DRAWN <i>ESI</i>	REVISED -
PLOT SCALE = *SCALE*	CHECKED <i>GJS</i>	REVISED -
PLOT DATE = *DATE*	DATE <i>07/03/12</i>	REVISED -

**STATE OF ILLINOIS  
DEPARTMENT OF TRANSPORTATION**

**IL 31 (8TH ST) & IL 72 (MAIN ST)  
SCHEDULE OF QUANTITIES, CABLE PLAN, PHASE DESIGNATION  
DIAGRAM, AND EMERGENCY VEHICLE PREEMPTION SEQUENCE**

F.A.U. RTE.	SECTION	COUNTY	TOTAL SHEETS	SHEET NO.
3887	S-N	KANE	153	114
CONTRACT NO. 60A95				
FED. ROAD DIST. NO. 1 ILLINOIS FED. AID PROJECT				

SCALE: N.T.S. SHEET NO. 13 OF 16 SHEETS STA. TO STA.