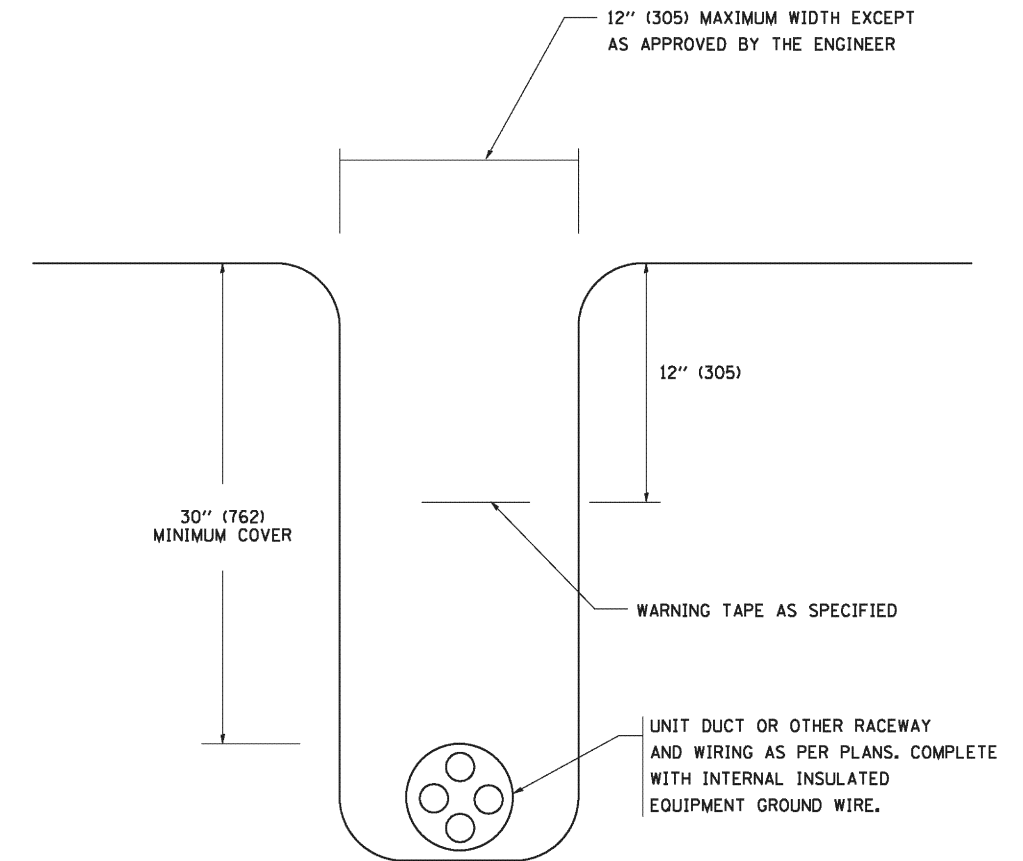


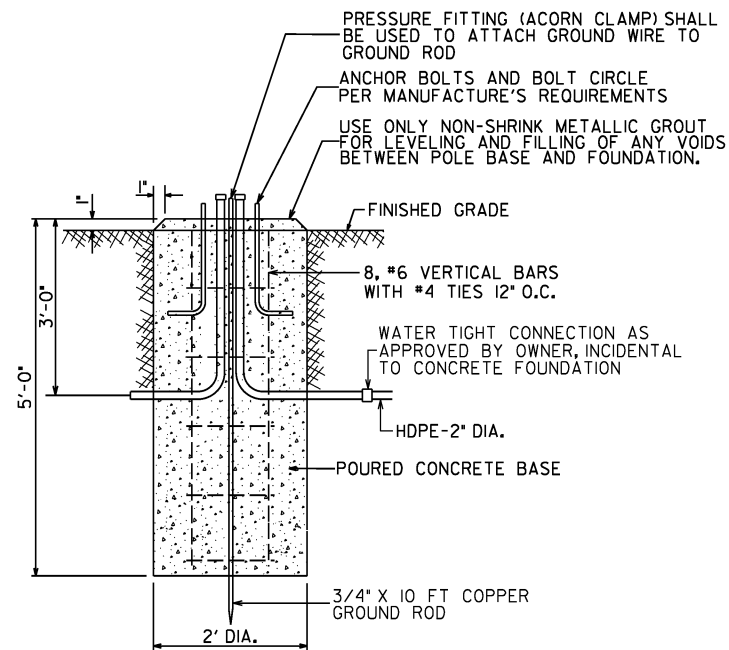
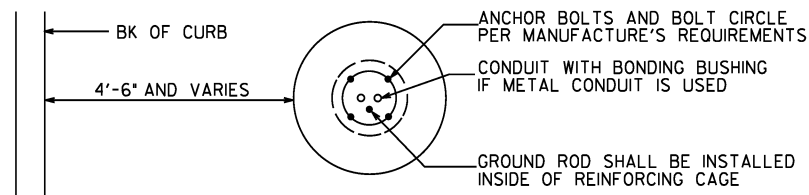
TYPICAL SPLICE DETAIL

N.T.S.



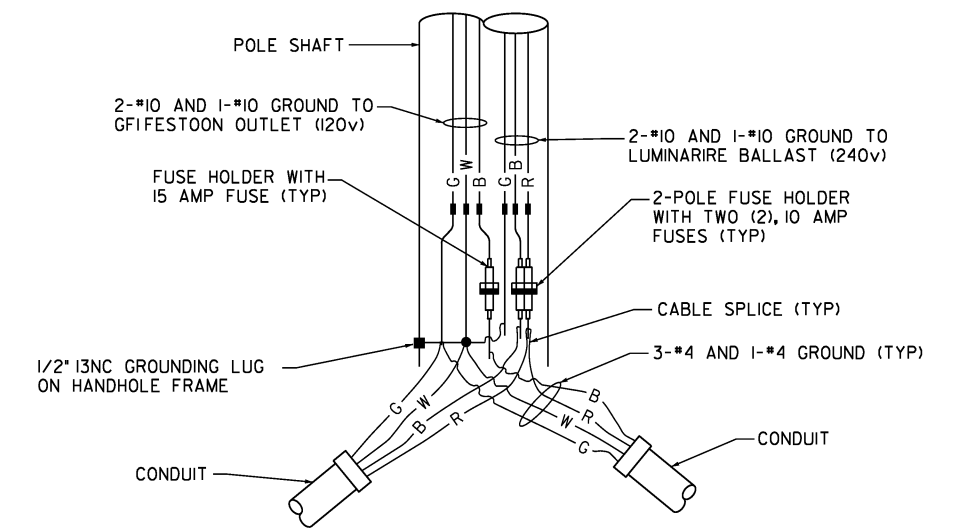
TYPICAL WIRING IN TRENCH DETAIL

N.T.S.



CONCRETE STREET LIGHT FOUNDATION

N.T.S.



POLE BASE WIRING DETAIL

N.T.S.



USER NAME = #USER#	DESIGNED <i>ESI</i>	REVISED -
PLOT SCALE = #SCALE#	DRAWN <i>ESI</i>	REVISED -
PLOT DATE = #DATE#	CHECKED <i>GJS</i>	REVISED -
	DATE <i>07/03/12</i>	REVISED -

STATE OF ILLINOIS
DEPARTMENT OF TRANSPORTATION

STREET LIGHTING DETAILS	
SCALE: 1" = 50'	SHEET NO. 3 OF 3 SHEETS
STA.	TO STA.

F.A.U. RTE.	SECTION	COUNTY	TOTAL SHEETS	SHEET NO.
3887	S-N	KANE	153	127
CONTRACT NO. 60A95				
FED. ROAD DIST. NO. 1 ILLINOIS FED. AID PROJECT				