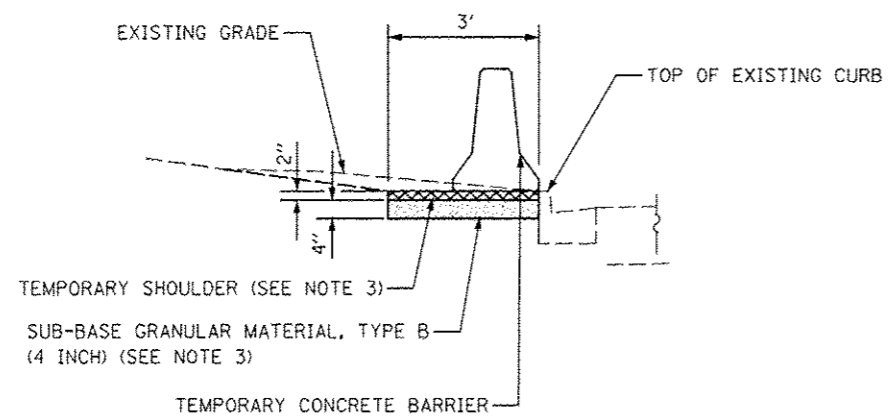


**GRADING AND TEMPORARY SHOULDER FOR IMPACT ATTENUATOR
STA. 3966+30 TO STA. 3968+00**



**TEMPORARY CONCRETE BARRIER PLACEMENT
STA. 3959+50 TO STA. 3966+30**

NOTE

1. THE REMOVAL OF THE EXISTING CURB HEAD AND ANY ADDITIONAL GRADING REQUIRED FOR THE PLACEMENT OF THE IMPACT ATTENUATOR AND TEMPORARY CONCRETE BARRIER SHALL BE INCLUDED IN THE CONTRACT UNIT PRICE FOR TEMPORARY SHOULDERS.
2. SEE IDOT STANDARD DETAIL 643001, SAND MODULE IMPACT ATTENUATORS.
3. SUB-BASE GRANULAR MATERIAL, TYPE B SHALL BE INCLUDED IN THE COST FOR TEMPORARY SHOULDER AND WILL NOT BE PAID FOR SEPERATELY. THE REMOVAL OF TEMPORARY SHOULDER AND SUB-BASE GRANULAR MATERIAL, TYPE B SHALL ALSO BE INCLUDED IN THE COST FOR TEMPORARY SHOULDERS.

FILE NAME :	USER NAME : #USER#	DESIGNED NAV	REVISED Addendum A-07-23-12	STATE OF ILLINOIS DEPARTMENT OF TRANSPORTATION	MAINTENANCE OF TRAFFIC DETAILS		F.A.P. RTE.	SECTION	COUNTY	TOTAL SHEETS	SHEET NO.
#FILE#		DRAWN KES	REVISED				338	2011-036-1	DUPAGE	234	31
		CHECKED PJO	REVISED		SCALE: AS SHOWN SHEET NO. 8 OF 8 SHEETS STA. TO STA.		CONTRACT NO. 60P42				
		DATE 05-11-12	REVISED		ILLINOIS FED. AID PROJECT						