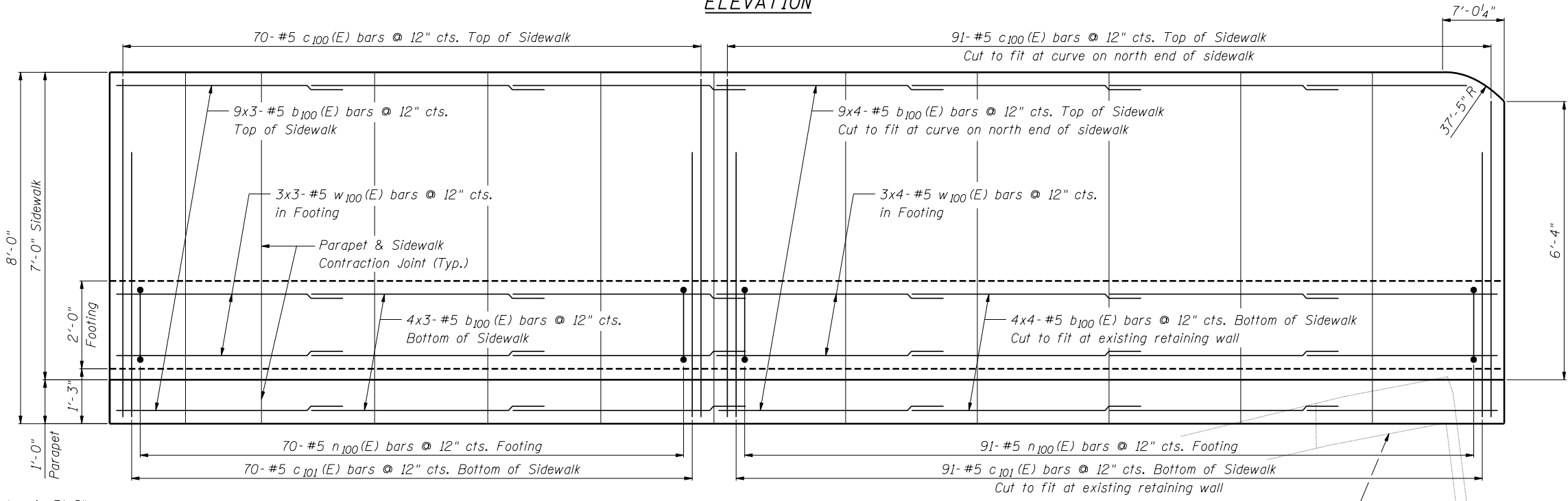


ELEVATION



PLAN

Notes:
 Min. lap for #4 bar is 2'-11". #5 bar is 3'-8".
 See Sheet SA-3 for Details and Bill of Material.
 Bars indicated thus: 4x3-#5 etc. indicates 4 lines of bars with 3 lengths per line.
 Vertical scale exaggerated for clarity.
 Parapet Contraction joint shall consist of 3/4" chamfers on front, back, and top side of parapet.
 Optional full depth construction joint with 1/2" chamfers may be provided in sidewalk placed at a contraction joint location.

WALL PLAN AND ELEVATION
 SN 022-W043



USER NAME = SAW	DESIGNED - PMM	REVISED -
	CHECKED - DAZ	REVISED -
PLOT SCALE = 15.00 "/>		

STATE OF ILLINOIS
 DEPARTMENT OF TRANSPORTATION

WALL PLAN & ELEVATION
 STA. 3913 + 83.48 TO STA. 3915 + 42.32 SN 022-W043

F.A.P. RTE. 338	SECTION 2011-036-1	COUNTY DUPAGE	TOTAL SHEETS 234	SHEET NO. 33
CONTRACT NO. 60P42				

SHEET NO. SA-2 OF SA-6 SHEETS

ILLINOIS FED. AID PROJECT

FILE NAME = ...G0P42-W043-002-WallPlanElev.dgn