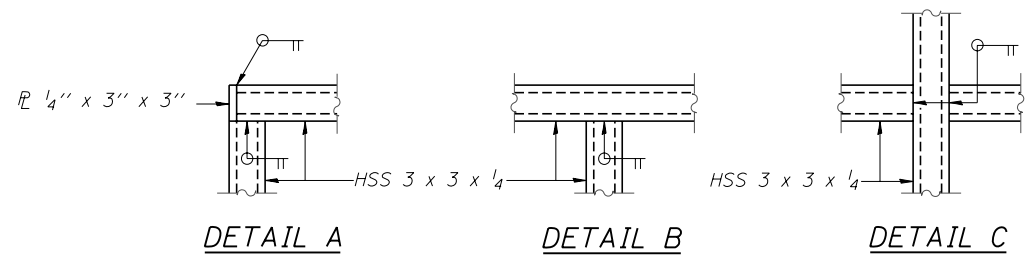
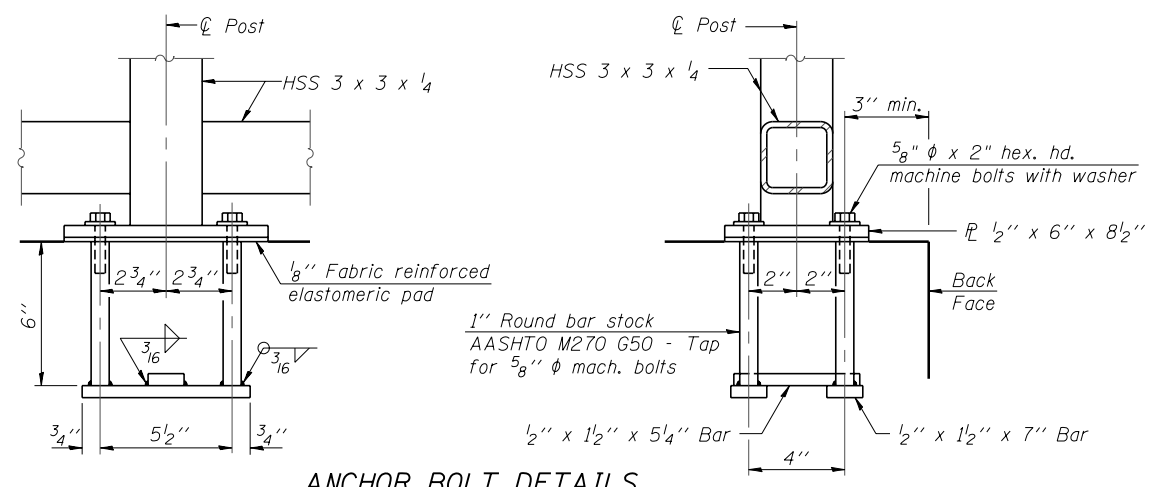
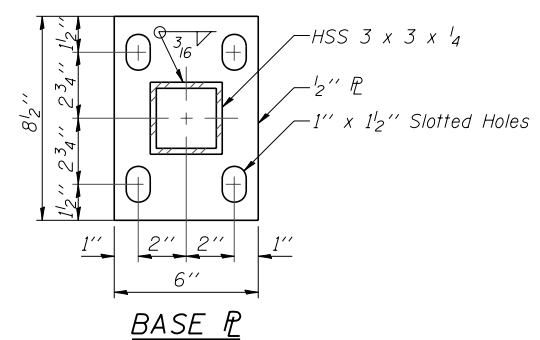


**PARAPET RAILING
ELEVATION**
(Inside Face of Three Element Rail)

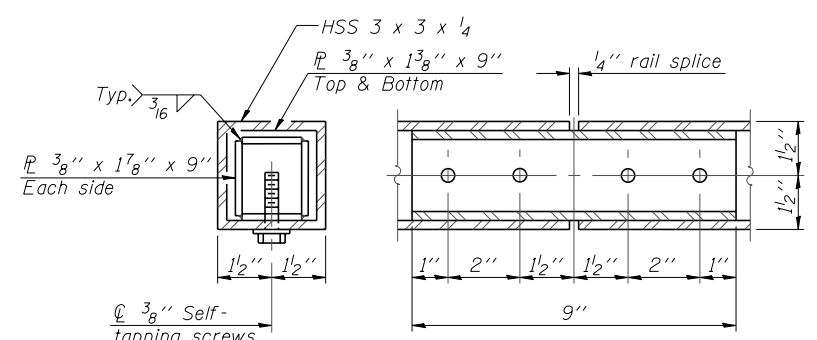


All steel rail elements shall be galvanized according to Article 509.05 of the Standard Specifications.



ANCHOR BOLT DETAILS

In lieu of the cast-in-place anchor device shown, the Contractor has the option of drilling and setting 5/8" diameter anchor rods according to Article 509.06 of the Standard Specifications. Embedment shall be according to the manufacturer's specifications.



RAIL SPLICE

BILL OF MATERIAL

Item	Unit	Quantity
Parapet Railing	Foot	159

**PARAPET RAILING
SN 022-W043**

FILE NAME = ...EGP42-W043-005-ParapetRailing.dgn



USER NAME = SAW	DESIGNED - LAS	REVISED -
	CHECKED - DAZ	REVISED -
PLOT SCALE = 0.17' / IN.	DRAWN - SAW	REVISED -
PLOT DATE = 5/4/2012	CHECKED - LAS	REVISED -

**STATE OF ILLINOIS
DEPARTMENT OF TRANSPORTATION**

**PARAPET RAILING
STA. 3913 + 83.48 TO STA. 3915 + 42.32 SN 022-W043**

SHEET NO. SA-5 OF SA-6 SHEETS

F.A.P. RTE.	SECTION	COUNTY	TOTAL SHEETS	SHEET NO.
338	2011-036-1	DUPAGE	234	36
CONTRACT NO. 60P42				

ILLINOIS FED. AID PROJECT