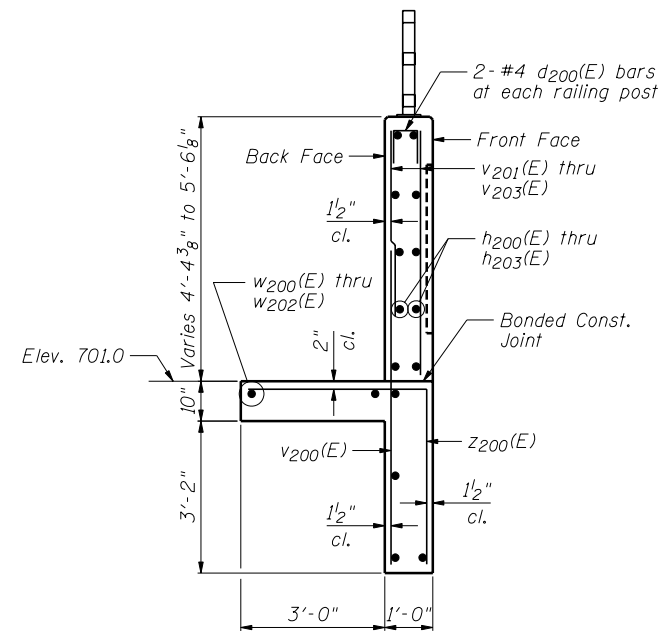
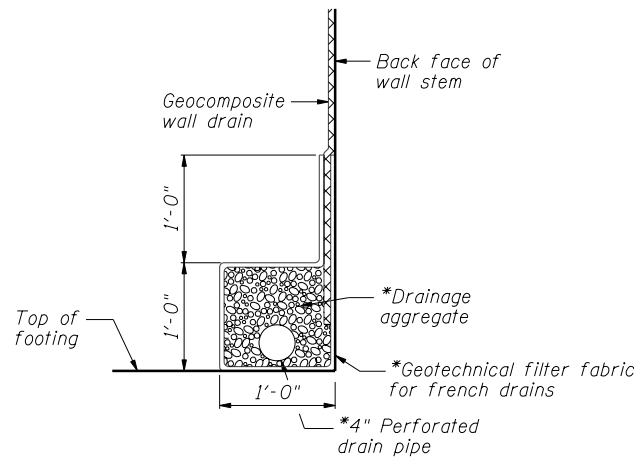


TYPICAL SECTION
Sta. 3920+19.79 to Sta. 3922+70.60



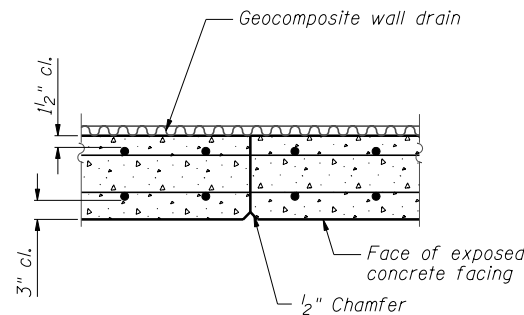
SECTION A-A
Maximum Soil Bearing Pressure = 1,890 psf

BILL OF MATERIAL				
Bar	No.	Size	Length	Shape
d200(E)	56	#4	2'-1"	□
h200(E)	90	#4	27'-11"	—
h201(E)	54	#4	24'-8"	—
h202(E)	18	#4	26'-11"	—
h203(E)	18	#4	26'-8"	—
v200(E)	261	#4	7'-6"	—
v201(E)	156	#4	4'-5"	—
v202(E)	210	#4	4'-8"	—
v203(E)	156	#4	4'-11"	—
w200(E)	24	#5	28'-8"	—
w201(E)	4	#5	29'-6"	—
w202(E)	12	#5	27'-4"	—
z200(E)	261	#4	7'-4"	└
Item	Unit	Quantity		
Concrete Structures	Cu. Yd.	107.7		
Reinforcement Bars, Epoxy Coated	Pound	8,690		
Pipe Underdrains for Structures, 4"	Foot	278		
Geocomposite Wall Drain	Sq. Yd.	68		
Porous Granular Embankment, Special	Cu. Yd.	86		

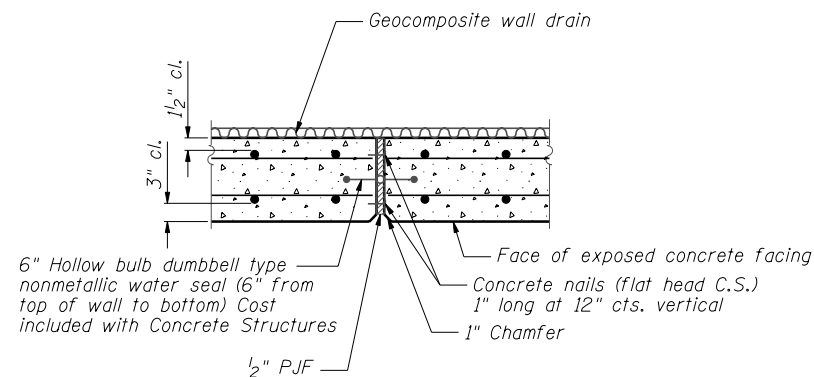


PIPE UNDERDRAIN DETAIL

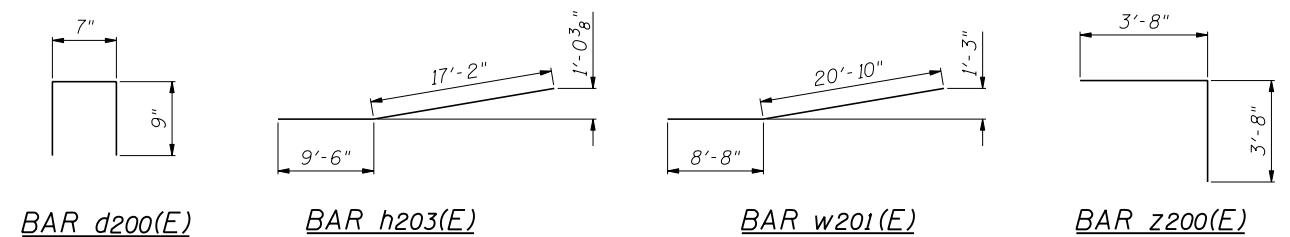
*Included in the cost of "Pipe Underdrains for Structures"



CONSTRUCTION JOINT DETAIL



EXPANSION JOINT DETAIL



WALL SECTION & DETAILS
SN 022-W044

FILE NAME = ...EGP42-W044-004-Details.dgn



Zroka Engineering, P.C.
4216 North Hermitage
Chicago, IL 60613

USER NAME = SAW	DESIGNED - LAS	REVISED -
PLOT SCALE = 4.00' / IN.	CHECKED - DAZ	REVISED -
PLOT DATE = 5/4/2012	DRAWN - SAW	REVISED -
	CHECKED - LAS	REVISED -

STATE OF ILLINOIS
DEPARTMENT OF TRANSPORTATION

WALL SECTION & DETAILS
STA. 3920+19.79 TO STA. 3922+70.60 SN 022-W044

SHEET NO. SB-4 OF SB-7 SHEETS

F.A.P. RTE.	SECTION	COUNTY	TOTAL SHEETS	SHEET NO.
338	2011-036-1	DUPAGE	234	46
CONTRACT NO. 60P42				

ILLINOIS FED. AID PROJECT