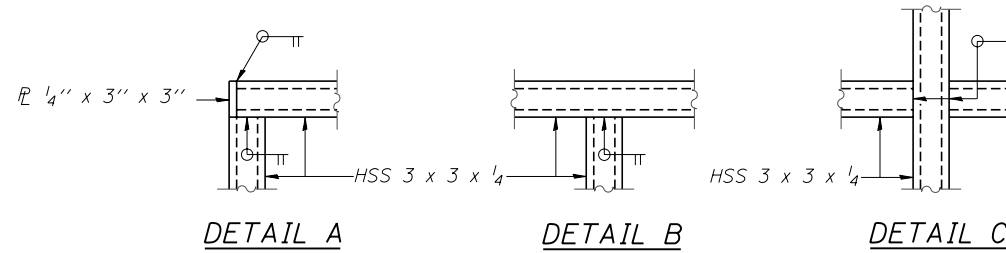
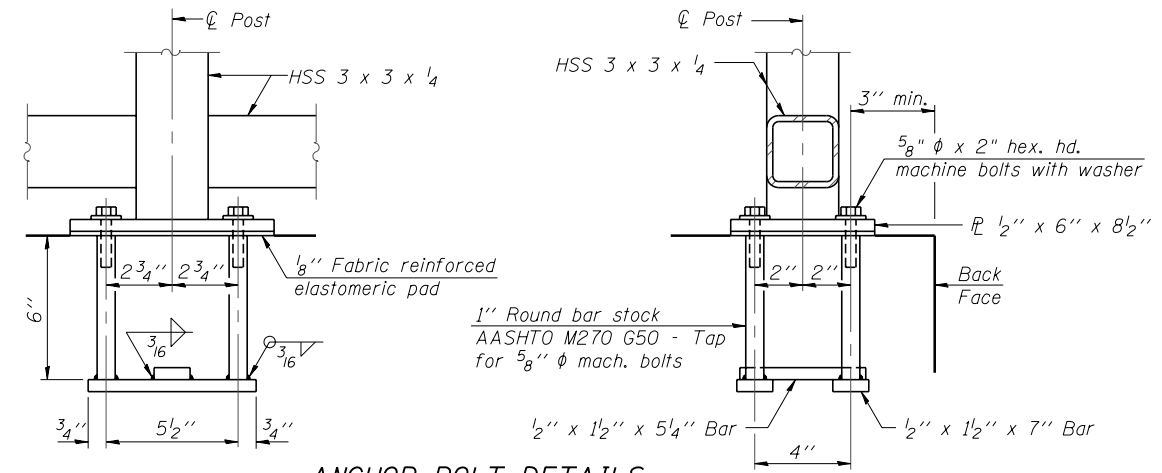
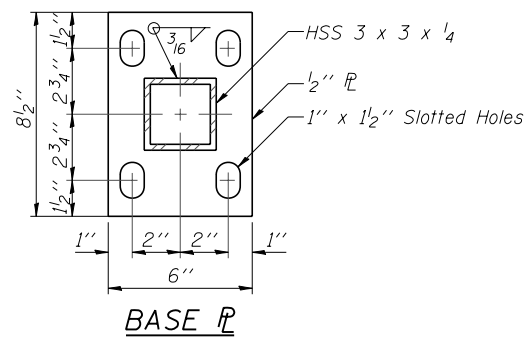


**PARAPET RAILING  
ELEVATION**  
(Inside Face of Three Element Rail)

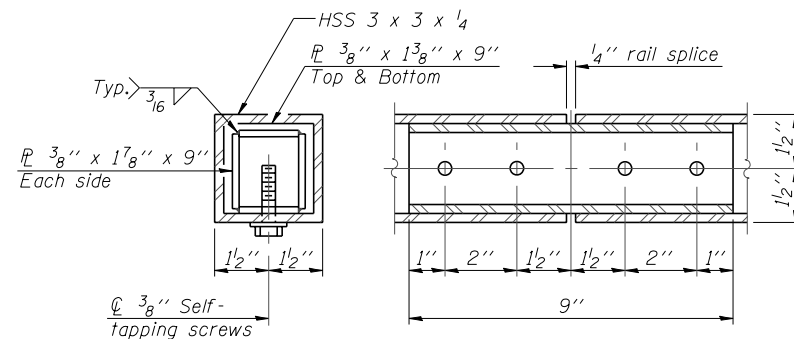


All steel rail elements shall be galvanized according to Article 509.05 of the Standard Specifications.



**ANCHOR BOLT DETAILS**

In lieu of the cast-in-place anchor device shown, the Contractor has the option of drilling and setting 5/8"  $\phi$  anchor rods according to Article 509.06 of the Standard Specifications. Embedment shall be according to the manufacturer's specifications.



**RAIL SPLICE**

**BILL OF MATERIAL**

Item	Unit	Quantity
Parapet Railing	Foot	251

**PARAPET RAILING  
SN 022-W044**



Zroka Engineering, P.C.  
4216 North Hermitage  
Chicago, IL 60613

USER NAME = SAW  
PLOT SCALE = 0.17' / IN.  
PLOT DATE = 5/4/2012

DESIGNED - LAS  
CHECKED - DAZ  
DRAWN - SAW  
CHECKED - LAS

REVISED -  
REVISED -  
REVISED -  
REVISED -

**STATE OF ILLINOIS  
DEPARTMENT OF TRANSPORTATION**

**PARAPET RAILING  
STA. 3920 + 19.79 TO STA. 3922 + 70.60 SN 022-W044**

SHEET NO. SB-5 OF SB-7 SHEETS

F.A.P. RTE.	SECTION	COUNTY	TOTAL SHEETS	SHEET NO.
338	2011-036-1	DUPAGE	234	47
CONTRACT NO. 60P42				

ILLINOIS FED. AID PROJECT

FILE NAME = ...60P42-W044-005-ParapetRailing.dgn