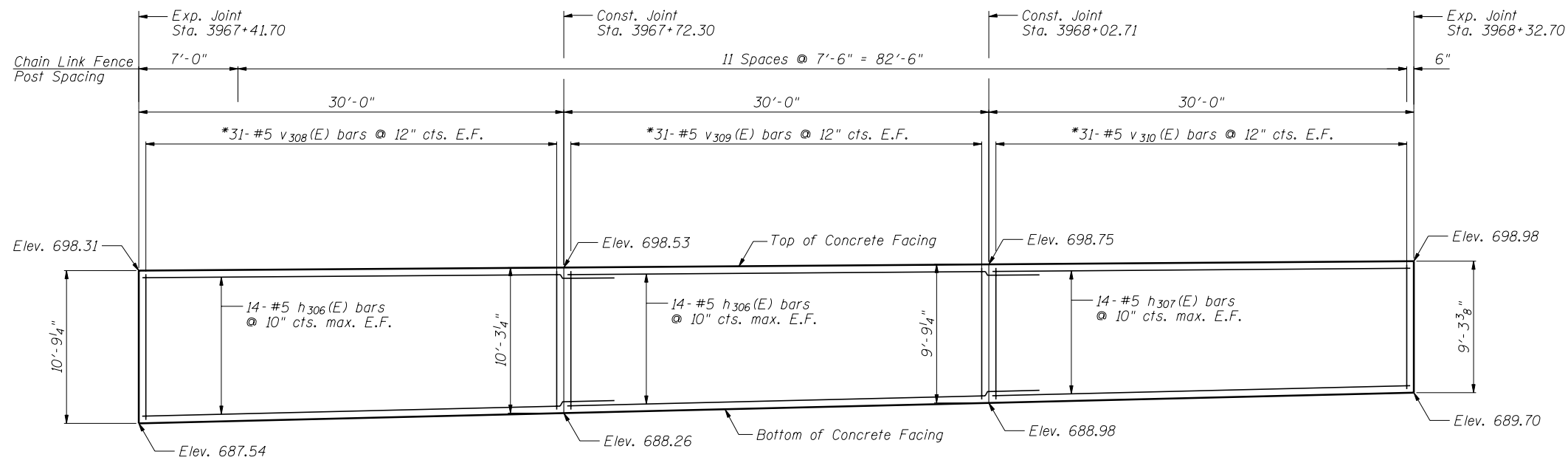


ELEVATION



ELEVATION

Notes:
 Minimum lap for #5 bar is 3'-8".
 Space reinforcement in wall to miss shear studs.
 * signifies cut bar. Order per length on Bill of Material. Cut as shown in Cutting Diagram and use half of bars in each face.
 See Sheet SC-11 for Concrete Facing Details and Bill of Material.

CONCRETE FACING 2
 SN 022-W046

FILE NAME = ...60P42-W046-009-ConcreteFacing2.dgn



USER NAME = SAW	DESIGNED - LAS	REVISED -
	CHECKED - DAZ	REVISED -
PLOT SCALE = 10.0000' / IN.	DRAWN - SAW	REVISED -
PLOT DATE = 5/4/2012	CHECKED - LAS	REVISED -

STATE OF ILLINOIS
 DEPARTMENT OF TRANSPORTATION

CONCRETE FACING 2
 STA. 3965 + 05.35 TO STA. 3971 + 00.00 SN 022-W046

SHEET NO. SC-9 OF SC-17 SHEETS

F.A.P. RTE.	SECTION	COUNTY	TOTAL SHEETS	SHEET NO.
338	2011-036-1	DUPAGE	234	62
CONTRACT NO. 60P42				
ILLINOIS FED. AID PROJECT				