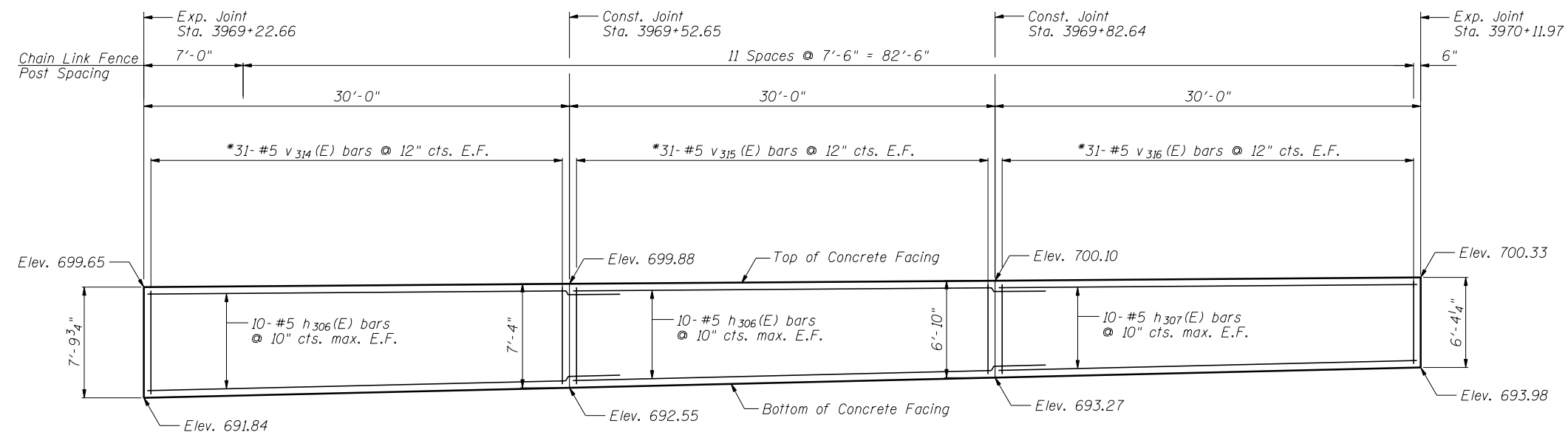


ELEVATION



ELEVATION

Notes:

Minimum lap for #5 bar is 3'-8".

Space reinforcement in wall to miss shear studs.

* signifies cut bar. Order per length on Bill of Material. Cut as shown in Cutting Diagram and use half of bars in each face.

See Sheet SC-11 for Concrete Facing Details and Bill of Material.

CONCRETE FACING 3
SN 022-W046



Zroka Engineering, P.C.
4216 North Hermitage
Chicago, IL 60613

USER NAME = SAW	DESIGNED - LAS	REVISED -
	CHECKED - DAZ	REVISED -
PLOT SCALE = 10.0000 ' / IN.	DRAWN - SAW	REVISED -
PLOT DATE = 5/4/2012	CHECKED - LAS	REVISED -

STATE OF ILLINOIS
DEPARTMENT OF TRANSPORTATION

CONCRETE FACING 3
STA. 3965+05.35 TO STA. 3971+00.00 SN 022-W046

SHEET NO. SC-10 OF SC-17 SHEETS

F.A.P. RTE.	SECTION	COUNTY	TOTAL SHEETS	SHEET NO.
338	2011-036-1	DUPAGE	234	63
CONTRACT NO. 60P42				
ILLINOIS FED. AID PROJECT				

FILE NAME = ...60P42-W046-010-ConcreteFacing3.dgn