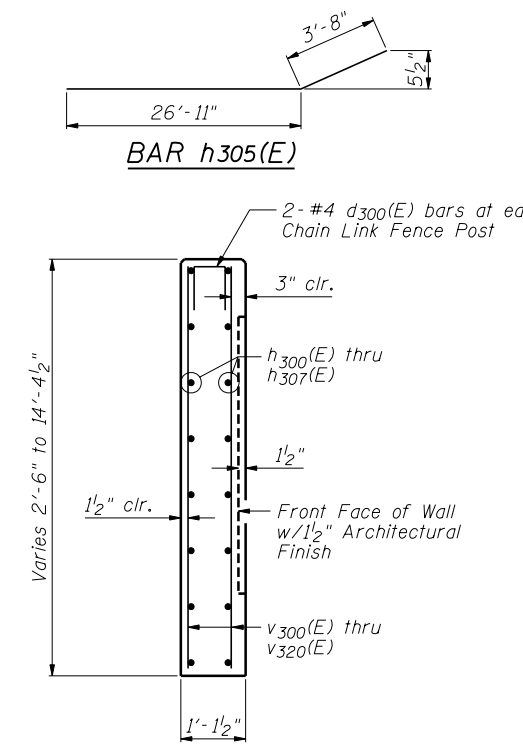
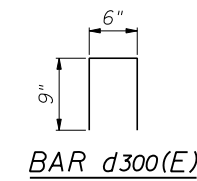


ELEVATION

Notes:
 Minimum lap for #5 bar is 3'-8".
 Space reinforcement in wall to miss shear studs.
 * signifies cut bar. Order per length on Bill of Material. Cut as shown in Cutting Diagram and use half of bars in each face.

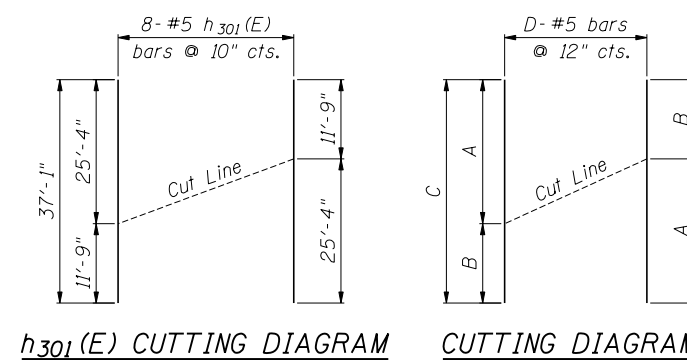
BILL OF MATERIAL

Bar	No.	Size	Length	Shape
d ₃₀₀ (E)	166	#4	2'-0"	□
h ₃₀₀ (E)	8	#5	26'-7"	—
h ₃₀₁ (E)	8	#5	37'-1"	—
h ₃₀₂ (E)	4	#5	9'-8"	—
h ₃₀₃ (E)	2	#5	18'-3"	—
h ₃₀₅ (E)	36	#5	30'-7"	—
h ₃₀₆ (E)	316	#5	33'-8"	—
h ₃₀₇ (E)	158	#5	29'-8"	—
v ₃₀₀ (E)	18	#5	12'-2"	—
v ₃₀₁ (E)	11	#5	21'-0"	—
v ₃₀₂ (E)	31	#5	27'-6"	—
v ₃₀₃ (E)	31	#5	26'-4"	—
v ₃₀₄ (E)	31	#5	25'-2"	—
v ₃₀₅ (E)	31	#5	23'-11"	—
v ₃₀₆ (E)	31	#5	22'-6"	—
v ₃₀₇ (E)	31	#5	21'-4"	—
v ₃₀₈ (E)	31	#5	20'-4"	—
v ₃₀₉ (E)	31	#5	19'-4"	—
v ₃₁₀ (E)	31	#5	18'-4"	—
v ₃₁₁ (E)	31	#5	17'-4"	—
v ₃₁₂ (E)	31	#5	16'-5"	—
v ₃₁₃ (E)	31	#5	15'-6"	—
v ₃₁₄ (E)	31	#5	14'-6"	—
v ₃₁₅ (E)	31	#5	13'-6"	—
v ₃₁₆ (E)	31	#5	12'-6"	—
v ₃₁₇ (E)	31	#5	11'-6"	—
v ₃₁₈ (E)	31	#5	10'-7"	—
v ₃₁₉ (E)	31	#5	9'-8"	—
v ₃₂₀ (E)	28	#5	25'-0"	—
Item	Unit	Quantity		
Concrete Structures	Cu. Yd.	234.9		
Reinforcement Bars, Epoxy Coated	Pound	29,710		
Pipe Underdrains for Structures, 4"	Foot	594		
Geocomposite Wall Drain	Sq. Yd.	368		



SECTION THRU CONCRETE FACING

**CONCRETE FACING & DETAILS
SN 022-W046**



Bar	A	B	C	D
v ₃₀₀ (E)	2'-2"	10'-0"	12'-2"	18
v ₃₀₁ (E)	10'-0"	11'-0"	21'-0"	11
v ₃₀₂ (E)	14'-0"	13'-6"	27'-6"	31
v ₃₀₃ (E)	13'-6"	12'-10"	26'-4"	31
v ₃₀₄ (E)	12'-10"	12'-4"	25'-2"	31
v ₃₀₅ (E)	12'-4"	11'-7"	23'-11"	31
v ₃₀₆ (E)	11'-7"	10'-11"	22'-6"	31
v ₃₀₇ (E)	10'-11"	10'-5"	21'-4"	31
v ₃₀₈ (E)	10'-5"	9'-11"	20'-4"	31
v ₃₀₉ (E)	9'-11"	9'-5"	19'-4"	31
v ₃₁₀ (E)	9'-5"	8'-11"	18'-4"	31
v ₃₁₁ (E)	8'-11"	8'-5"	17'-4"	31
v ₃₁₂ (E)	8'-5"	8'-0"	16'-5"	31
v ₃₁₃ (E)	8'-0"	7'-6"	15'-6"	31
v ₃₁₄ (E)	7'-6"	7'-0"	14'-6"	31
v ₃₁₅ (E)	7'-0"	6'-6"	13'-6"	31
v ₃₁₆ (E)	6'-6"	6'-0"	12'-6"	31
v ₃₁₇ (E)	6'-0"	5'-6"	11'-6"	31
v ₃₁₈ (E)	5'-6"	5'-1"	10'-7"	31
v ₃₁₉ (E)	5'-1"	4'-7"	9'-8"	31
v ₃₂₀ (E)	11'-0"	14'-0"	25'-0"	28

FILE NAME = ...EGP42-W046-011-ConcreteFacing.dgn



USER NAME = SAW	DESIGNED - LAS	REVISED -
	CHECKED - DAZ	REVISED -
PLOT SCALE = 10.0000 "/ IN.	DRAWN - SAW	REVISED -
PLOT DATE = 5/4/2012	CHECKED - LAS	REVISED -

**STATE OF ILLINOIS
DEPARTMENT OF TRANSPORTATION**

**CONCRETE FACING & DETAILS
STA. 3965+05.35 TO STA. 3971+00.00 SN 022-W046**

F.A.P. RTE. 338	SECTION 2011-036-1	COUNTY DUPAGE	TOTAL SHEETS 234	SHEET NO. 64
SHEET NO. SC-11 OF SC-17 SHEETS			CONTRACT NO. 60P42	
ILLINOIS FED. AID PROJECT				