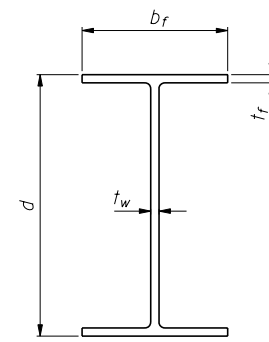
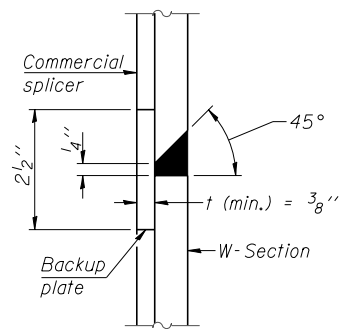


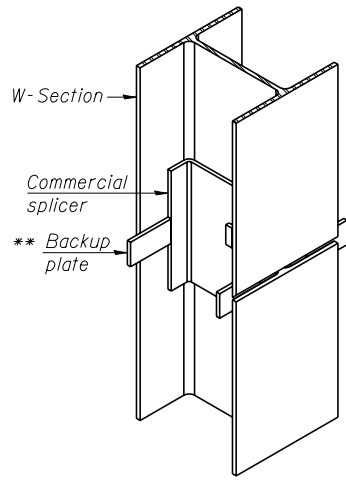
ELEVATION



| Designation | Depth d | Flange width b_f | Flange thickness t_f | Web thickness t_w | Encasement diameter A |
|-------------|---------|------------------|----------------------|-------------------|-----------------------|
| W33x141 | 33 1/4" | 11 1/2" | 1 5/16" | 5/8" | 42" |

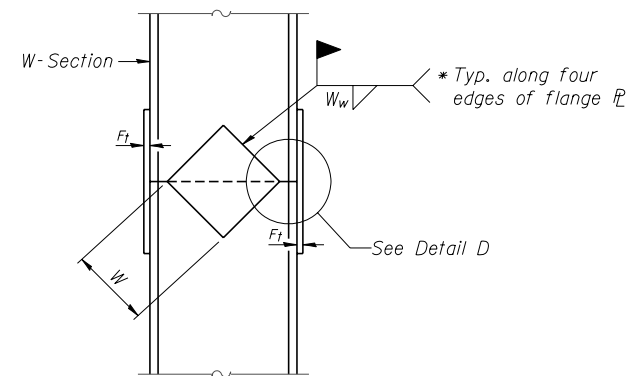


DETAIL "B"

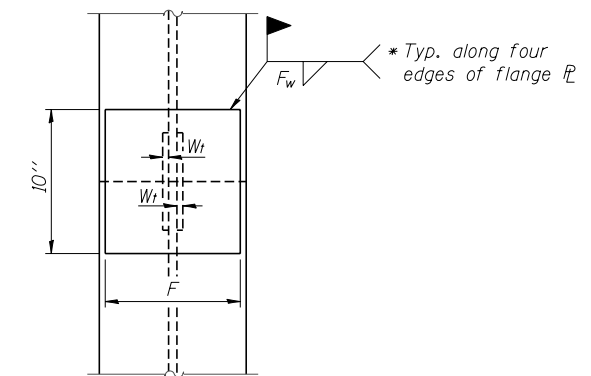


ISOMETRIC VIEW

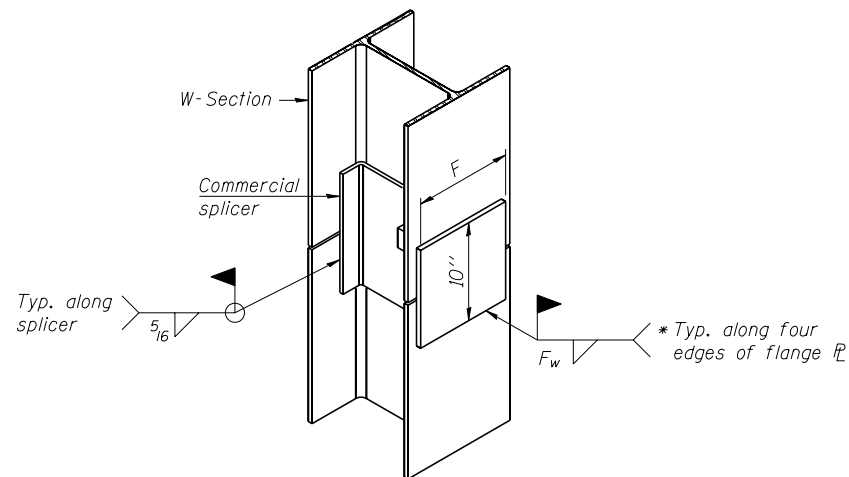
WELDED COMMERCIAL SPLICE



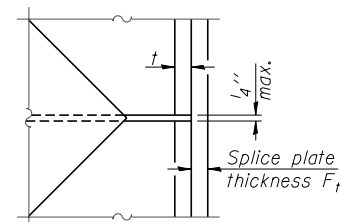
ELEVATION



END VIEW



ISOMETRIC VIEW



DETAIL D

| Designation | F | F_t | F_w | W | W_t | W_w |
|-------------|----|--------|-----|-----|------|------|
| W33x141 | 9" | 1 1/4" | 1" | 21" | 5/8" | 1/2" |

WELDED PLATE FIELD SPLICE

WELDED COMMERCIAL SPLICE ALTERNATE

- * Interrupt welds 1/4" from end of web and/or each flange.
- ** Remove portions of backup plates that extend outside the flanges.

Note:
The steel W-Sections shall be according to AASHTO M270 Grade 36.

PILE SPLICE DETAILS
SN 022-W046



Zroka Engineering, P.C.
4216 North Hermitage
Chicago, IL 60613

| | | |
|----------------------------|----------------|-----------|
| USER NAME = SAW | DESIGNED - LAS | REVISED - |
| PLOT SCALE = 0.1667' / IN. | CHECKED - DAZ | REVISED - |
| PLOT DATE = 5/4/2012 | DRAWN - SAW | REVISED - |
| | CHECKED - LAS | REVISED - |

STATE OF ILLINOIS
DEPARTMENT OF TRANSPORTATION

PILE SPLICE DETAILS
STA. 3965 + 05.35 TO STA. 3971 + 00.00 SN 022-W046

SHEET NO. SC-14 OF SC-17 SHEETS

| F.A.P. RTE. | SECTION | COUNTY | TOTAL SHEETS | SHEET NO. |
|--------------------|------------|--------|--------------|-----------|
| 338 | 2011-036-1 | DUPAGE | 234 | 67 |
| CONTRACT NO. 60P42 | | | | |

ILLINOIS FED. AID PROJECT

FILE NAME = ...EGP42-W046-014-PileSpliceDetail.dgn