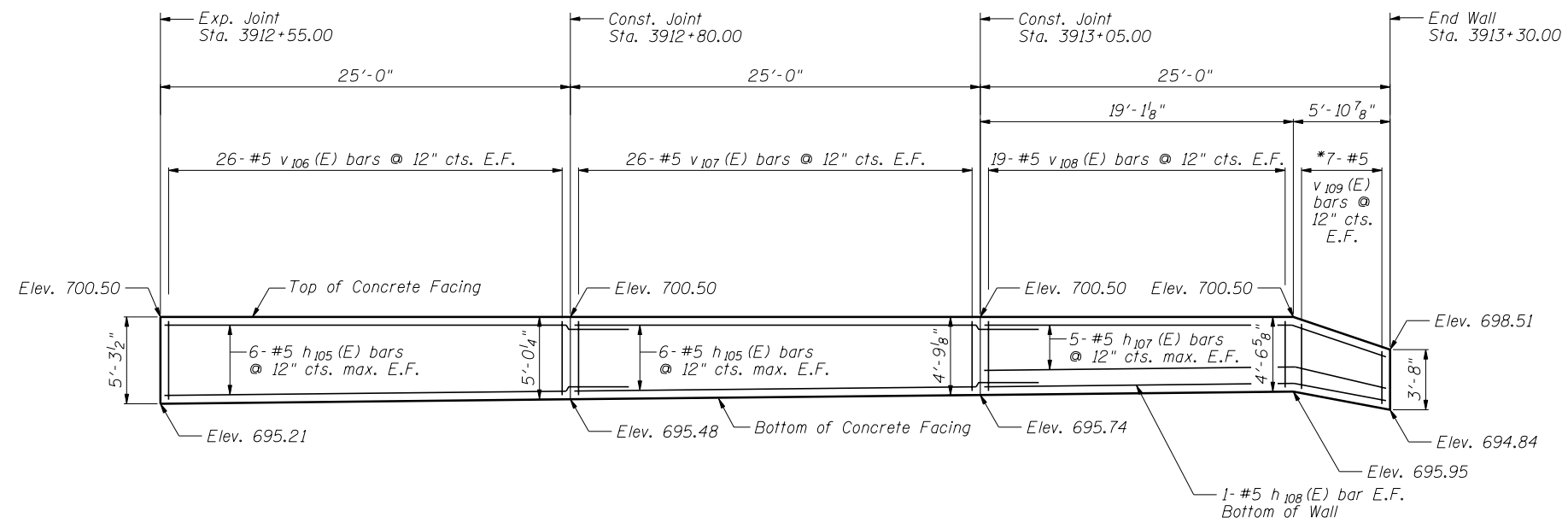


**ELEVATION**



**ELEVATION**

**Notes:**

Minimum lap for #5 bar is 3'-8".

Space reinforcement in wall to miss shear studs.

\* signifies cut bar. Order per length on Bill of Material. Cut as shown in Cutting Diagram and use half of bars in each face.

See Sheet SD-6 for Concrete Facing Details and Bill of Material.

**CONCRETE FACING  
SN 022-W042**



USER NAME = SAW	DESIGNED - LAS	REVISED -
	CHECKED - DAZ	REVISED -
PLOT SCALE = 10.0000 "/ IN.	DRAWN - SAW	REVISED -
PLOT DATE = 5/10/2012	CHECKED - LAS	REVISED -

**STATE OF ILLINOIS  
DEPARTMENT OF TRANSPORTATION**

**CONCRETE FACING  
STA. 3911 + 30.14 TO STA. 3913 + 30.00 SN 022-W042**

SHEET NO. SD-5 OF SD-8 SHEETS

F.A.P. RTE.	SECTION	COUNTY	TOTAL SHEETS	SHEET NO.
338	2011-036-1		234	92
CONTRACT NO. 60P42				
ILLINOIS FED. AID PROJECT				

FILE NAME = ...60P42-W042-005-ConcreteFacing.dgn