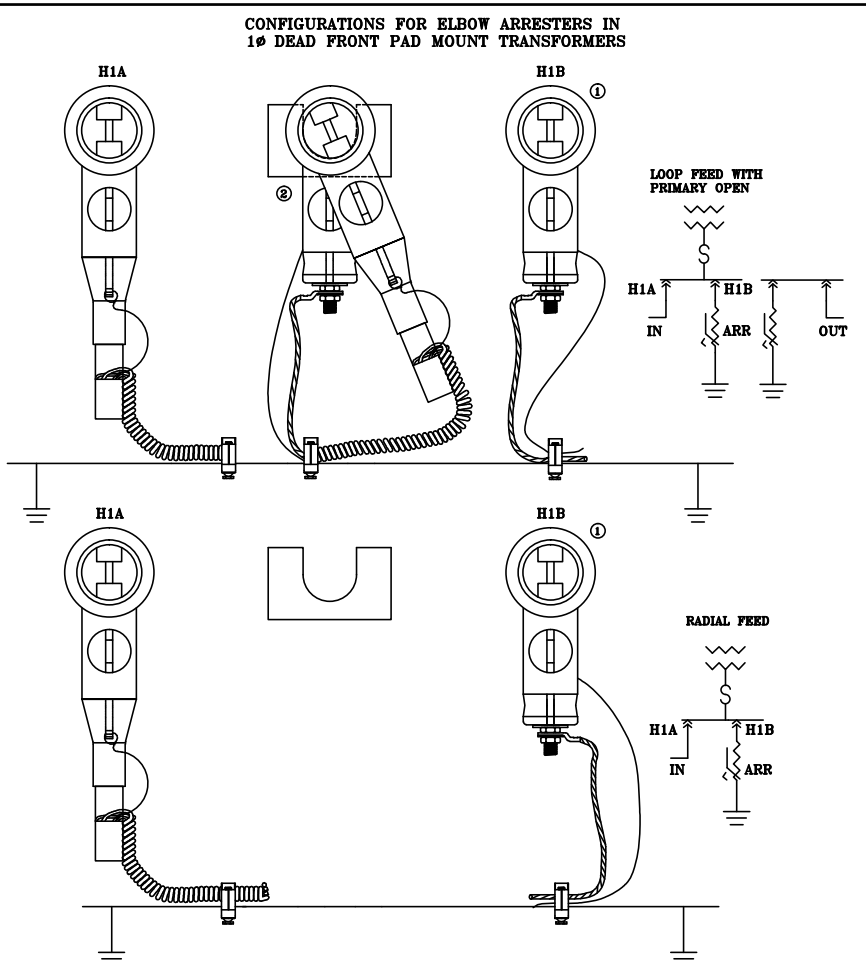


- NOTES:**
- ONE STRAND OF CONCENTRIC NEUTRAL FOR DRAIN WIRE.
 - SEE C30-0500 FOR 200A ELBOW STANDARD.
 - SEE C30-1010 FOR FAULT INDICATOR INSTALLATION. FAULT INDICATORS NOT REQUIRED FOR RADIAL TRANSFORMER INSTALLATION.
 - BENDS SHALL BE INSTALLED PER FIELD CONDITION.
 - SPARES NOT SHOWN.
 - TRANSFORMER TO BE BOLTED TO VAULT IN TWO LOCATIONS. DRILL 9/16" HOLES IN VAULT. REFER TO TOP VIEW AND DETAIL "A".
 - ALLOW SUFFICIENT SLACK IN PRIMARY AND SECONDARY CABLES TO ACCOMMODATE SLIGHT VARIATIONS IN BUSHING HEIGHTS BETWEEN DIFFERENT TRANSFORMER SIZES AND MANUFACTURERS.
 - THIS DRAWING SHOWS AN EXISTING TRANSFORMER WITH CABLE INSTALLED WITH MATERIAL LIST ON RIGHT.
 - CONTRACTOR TO OBTAIN OUTAGE OF TRANSFORMER PRIOR TO DOING ANY WORK.
 - CONTRACTOR TO INSTALL 3", 5" AND 6" CONDUIT INTO EXISTING AS SPECIFIED IN SPECIFICATIONS CAP AND PLUGS ALL CONDUITS.
 - ALL GROUNDING CONNECTIONS AND TERMINATORS SHALL BE INSPECTED TO DETERMINE CONDITION OF CONNECTIONS BY THE CONTRACTOR REPORT FINDING.

CODE	QTY	DESCRIPTION
DEVTC	1	Vault, 1# Trf/fuse can
DnBxxP	**	Bend, PVC
DnBxxS	**	Bend, Steel
DnF	**	Bell Fitting, PVC
TmUn	1	Plug, PVC
TmUn	1	Transformer, pad mounted
UGT1	1	Grounding, Transformer, 1#
UT15n	**	Faulted Circuit Indicator
UNSS57n	3	Connector 1# Set Screw
UT15a*	**	Arrestor
UT15En	2	Elbow, 15kV

* E or P (Elbow or Parking Stand)
 ** qty is dependent on application
 n is dependent on size
 m is dependent on secondary voltage
 x is bend angle dependent on field condition (typically 45°)



- NOTES:**
- ELBOW ARRESTER.
 - PARKING STAND ARRESTER.

Item Code	Description 1	Description 2	QTY	T24U												
				10	25	37	50	75	100	167	250					
281 100 00120	1-PH LOOP TRANSFORMER	10kVA 7.2kV 120/240 V	1													
281 100 00130	1-PH LOOP TRANSFORMER	25kVA 7.2kV 120/240 V	1													
281 100 00140	1-PH LOOP TRANSFORMER	37.5kVA 7.2kV 120/240 V	1													
281 100 00150	1-PH LOOP TRANSFORMER	50kVA 7.2kV 120/240 V	1													
281 100 00160	1-PH LOOP TRANSFORMER	75kVA 7.2kV 120/240 V	1													
281 100 00170	1-PH LOOP TRANSFORMER	100kVA 7.2kV 120/240 V	1													
281 100 00180	1-PH LOOP TRANSFORMER	167kVA 7.2kV 120/240 V	1													
281 100 00190	1-PH LOOP TRANSFORMER	250kVA 7.2kV 120/240 V	1													
284 199 00310	SIGN	8" X 5" WITH BRUSHES	1	1	1	1	1	1	1	1	1	1	1	1	1	1
286 199 00232	CONNECTOR, 1" STUD, 10-350	1PH TRF, 6 CONDUCTORS	1	1	1	1	1	1	1	1	1	1	1	1	1	1
286 199 00235	CONNECTOR, 5/8 STUD, 6-500	1PH TRF	1	1	1	1	1	1	1	1	1	1	1	1	1	1
287 109 00240	PADLOCK, BRONZE	W/1 1/2" SHACKLE	1	1	1	1	1	1	1	1	1	1	1	1	1	1

Item Code	Description 1	Description 2	UGT1 Qty	UGT3 Qty
280 107 00050	CU BARE SD	#4 7-STR	12	
280 107 00070	CU BARE SD	4/0 7-STR	1	75
283 156 00010	GROUND ROD, COPPER CLAD	5/8" X 10'	1	4
283 156 00020	CLAMP, GROUND ROD	5/8" ROD - #4 STR	2	
284 199 00180	CLAMP, TRANSF TANK GND.	#8 SOL - 2/0 STR CU	2	
284 199 00182	CLAMP, TRANSF TANK GND.	#6 SOL - 250MCM	2	
284 100 00260	CONNECTOR, WEDGE CU	4/0 STR (7) - 4/0 STR (7)	2	
286 100 00320	CONNECTOR, WEDGE CU	4/0 STR (7) - 3/8" ROD	4	
286 101 00010	SHELL, WEDGE AMP	WHITE	6	
286 199 00210	BREAK-AWAY	2 SOL - 2/0 STR X 2 SOL - 2/0 STR	2	
286 199 00220	BREAK-AWAY	1/0-4/0 STR X 1/0-4/0 STR	6	

UT15n: FAULTED CIRCUIT INDICATOR				UT15		
Item Code	Description 1	Description 2	QTY	S1	S5	LS
283 199 00210	GUARD, WIRE	SPIRAL	4	3	8	
284 120 00010	FAULT INDICATOR, 1/0 - 4/0 15kV		1	3		
284 120 00020	FAULT INDICATOR, 750 - 1000 15kV		1	3		
284 120 00030	INDICATOR CABLE, 3 TO 1	10 FOOT	1	1	1	
284 120 00040	INDICATOR CABLE, 1 TO 1	6 FOOT	1	1	1	
284 120 00050	TIES, CABLE	SMALL	4	6	6	
284 120 00060	CLIP	ADHESIVE BACKED	4	6	6	

UNSnTn: CONNECTOR 1# SET SCREW				UT15A			UT15A3		
Item Code	Description 1	Description 2	QTY	B	E	P	B	E	P
284 118 00020	ARRESTER, ELBOW	9/10 kV	1	1	1	1	1	1	1
284 118 00030	ARRESTER, PARKING STAND	9/10 kV	1	1	1	1	1	1	1
284 118 00040	ARRESTER, BUSHING INSERT	9/10kV	1	1	1	1	1	1	1
286 199 00220	CONNECTOR, BREAKAWAY CU	1/0 - 4/0 STR	1	1	1	1	1	1	1

UT15E: ELBOW, 15KV				UT15E						UT15EE					
Item Code	Description 1	Description 2	QTY	10	10P	40	40E	C75	C99	10	40	75	99		
284 109 00010	FUSE, ELBOW 8kV	30A	1												
284 117 00020	ELBOW, FUSED 8.3kV 200A	1/0 STR AL 175-220 MIL	1												
284 117 00030	ELBOW, 15kV 200A	1/0 STR AL 175-220 MIL	1												
284 117 00051	ELBOW, 15kV 200A EXTENDED	1/0 STR AL 175-220 MIL	1												
284 117 00040	ELBOW, 15kV 200A	4/0 STR AL 175-220 MIL	1												
284 117 00041	ELBOW, 15kV 200A EXTENDED	4/0 STR AL 175-220 MIL	1												
284 117 00065	ELBOW, 15kV 600A, W/LRTP	750 MCM STR AL 175-220 MIL	1												
284 117 00066	ELBOW, 15kV 600A EXTENDED	750 MCM STR AL 175-220 MIL	1												
284 117 00095	ELBOW, 15kV 600A, W/LRTP	1000 MCM STR AL 175-220 MIL	1												
284 117 00096	ELBOW, 15kV 600A EXTENDED	1000 MCM STR AL 175-220 MIL	1												
284 117 00400	ELBOW, 15kV 600A	4/0 STR AL 175-220 MIL	1												
284 117 00430	KIT CABLE JACKET SEAL	1/0-4/0 (0.95"-1.50")	1	1	1	1	1	1	1	1	1	1	1		
284 117 00440	KIT CABLE JACKET SEAL	250-1000 MCM (1.30"-2.67")	1	1	1	1	1	1	1	1	1	1	1		
285 199 00100	CABLE CLEANER	QUARTS	1												

DEVTC: VAULT, 1# TRF/FUSE CAN		DEV							
Item Code	Description 1	Description 2	TE	A	TC	PC	F	AE	M
284 100 00120	EXTENDER, 1# TRF VAULT	44" X 44" X 30" W/25" X25" OPEN	1						
284 101 00010	VAULT, AIR SWITCH	74" X 76" X 36" (FIBER-CRETE)		1					
284 101 00020	VAULT, 1# TRF/FUSE CAN	44" X 44" X 30" (FIBER-CRETE)			1				
284 101 00030	VAULT, 3# PLUG CAN	28" X 60" X 36" (FIBER-CRETE)				1			
284 101 00040	VAULT, 3# FUSE CAN	49" X 60" X 36" (FIBER-CRETE)					1		
284 101 00100	EXTENDER, AIR SWITCH VAULT	74" X 76" X 36" (FIBER-CRETE)						1	
NON	CA-6	CRUSHED LIMESTONE	1		.25	.25	.5		
NON	VAULT, 12.47kV PRL METERING	56" X 56" X 20" (FIBER-CRETE)							1

DnBxxP: BEND, PVC		D3B90S			
Assembly	Item Code	Description 1	Description 2	Qty	Qty
D3B30P	285 101 00025	ELBOW, PVC 30 DEG 3"	STANDARD RADIUS SCH 40	1	
D3B45P	285 101 00030	ELBOW, 36" R PVC 45 DEG 3"	SCH 40	1	
D3B90P	285 101 00040	ELBOW, 36" R PVC 90 DEG 3"	SCH 40	1	
D5B30P	285 101 00080	ELBOW, 36" R PVC 30 DEG 5"	SCH 40	1	
D5B45P	285 101 00090	ELBOW, 36" R PVC 45 DEG 5"	SCH 40	1	
D5B90P	285 101 00100	ELBOW, 36" R PVC 90 DEG 5"	SCH 40	1	
D6B30P	285 101 00220	ELBOW, 48" R PVC 30 DEG 6"	SCH 40	1	
D6B45P	285 101 00230	ELBOW, 48" R PVC 45 DEG 6"	SCH 40	1	
D6B90P	285 101 00240	ELBOW, 48" R PVC 90 DEG 6"	SCH 40	1	

D3BxxS: BEND, 3" STEEL		D3B90S		
Item Code	Description 1	Description 2	Qty	Qty
285 101 00140	ELBOW, 30" R STL 90 DEG 3"	GALVANIZED	1	
285 102 00040	COUPLING, PVC 3"	LONG LINK SCH 40	1	

D5BxxS: BEND, 5" STEEL		D5B30S			D5B45S			D5B90S		
Item Code	Description 1	Description 2	Qty	Qty	Qty	Qty	Qty	Qty	Qty	Qty
285 101 00160	ELBOW, 36" R STL 30 DEG 5"	GALVANIZED	1							
285 101 00170	ELBOW, 36" R STL 45 DEG 5"	GALVANIZED	1							
285 101 00180	ELBOW, 36" R STL 90 DEG 5"	GALVANIZED	1							
285 102 00110	COUPLING, PVC 5"	LONG LINK SCH 40	1	1	1	1	1	1	1	1

D6BxxS: BEND, 6" STEEL		D6B11S			D6B22S			D6B30S			D6B45S			D6B90S		
Item Code	Description 1	Description 2	Qty	Qty	Qty	Qty	Qty	Qty	Qty	Qty	Qty	Qty	Qty	Qty	Qty	
285 101 00186	ELBOW, 48" R STL 11 DEG 6"	GALVANIZED	1													
285 101 00188	ELBOW, 48" R 22.5 DEG 6"	GALVANIZED	1													
285 101 00190	ELBOW, 48" R STL 30 DEG 6"	GALVANIZED	1													
285 101 00200	ELBOW, 48" R STL 45 DEG 6"	GALVANIZED	1													
285 101 00210	ELBOW, 48" R STL 90 DEG 6"	GALVANIZED	1													
285 102 00140	COUPLING, PVC 6"	LONG LINK SCH 40	1	1	1	1	1	1	1	1	1	1	1	1	1	

DnF: BELL FITTING, PVC		D3F			D5F			D6F		
Item Code	Description 1	Description 2	Qty	Qty	Qty	Qty	Qty	Qty	Qty	Qty
285 103 00040	BELL FITTING, PVC 3"	SCH 40 & SCH 80	1							
285 103 00060	BELL FITTING, PVC 5"	SCH 40 & SCH 80	1							
285 103 00100	BELL FITTING, PVC 6"	SCH 40 & SCH 80	1							

DnP: PLUG, PVC		D3P			D5P			D6P		
Item Code	Description 1	Description 2	Qty	Qty	Qty	Qty	Qty	Qty	Qty	Qty
285 103 00030	PLUG, PVC 3"	WITH PULL TAB	1							
285 103 00070	PLUG, PVC 5"	WITH PULL TAB	1							
285 103 00090	PLUG, PVC 6"	WITH PULL TAB								