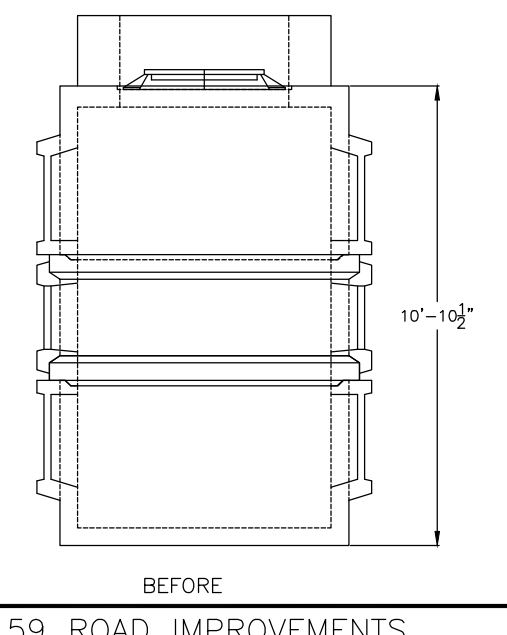
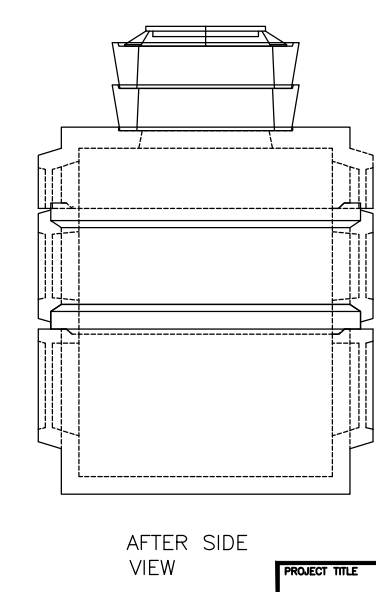
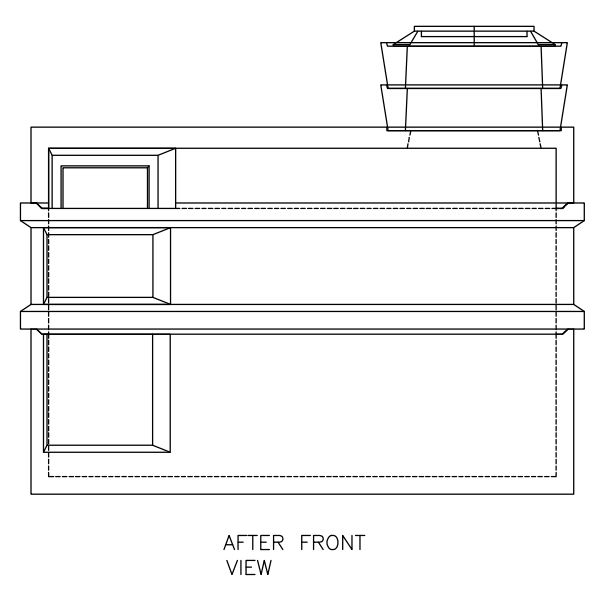
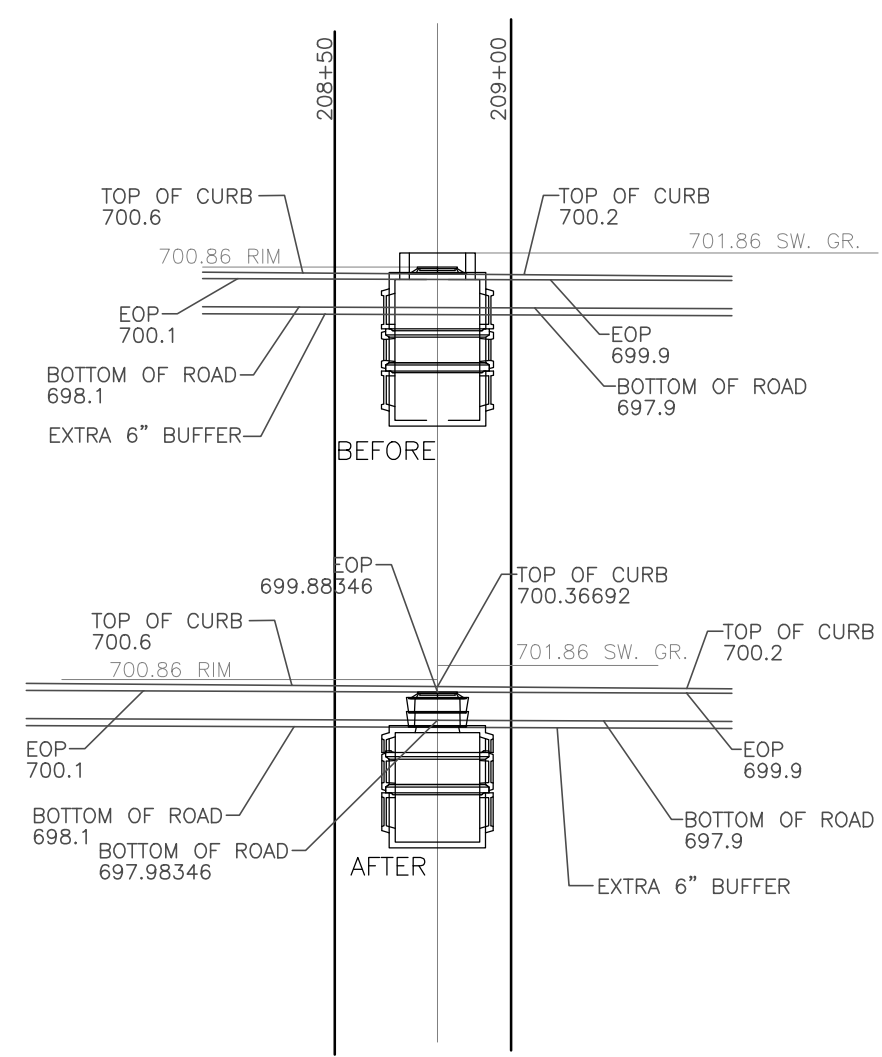
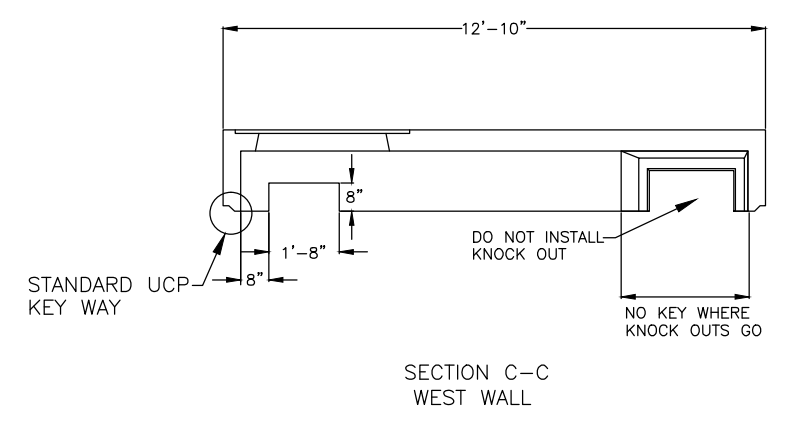
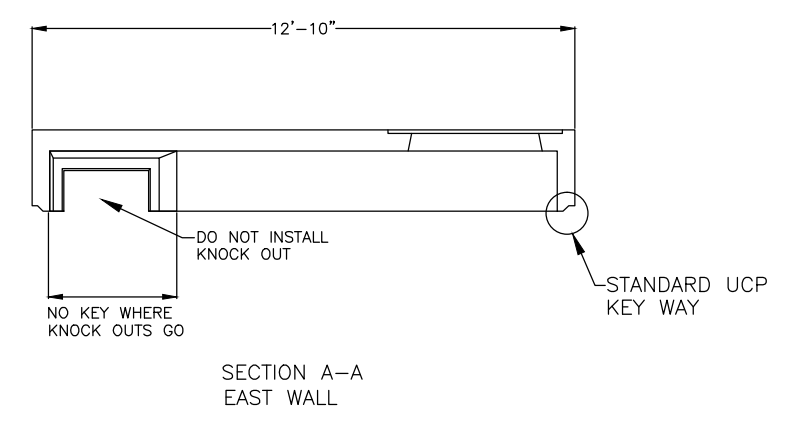
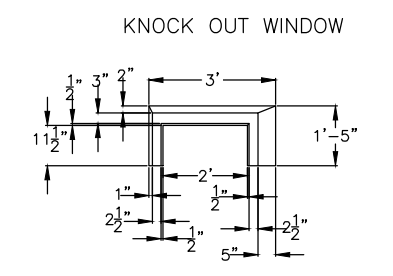
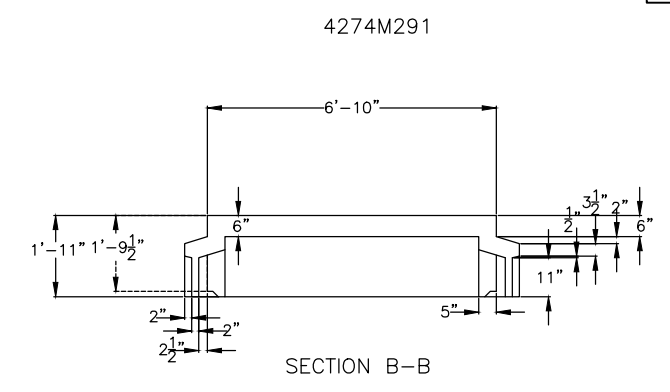
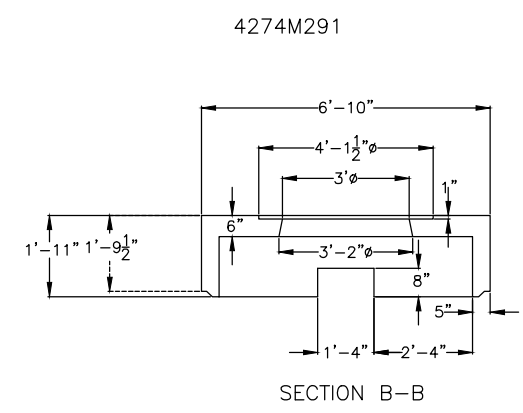
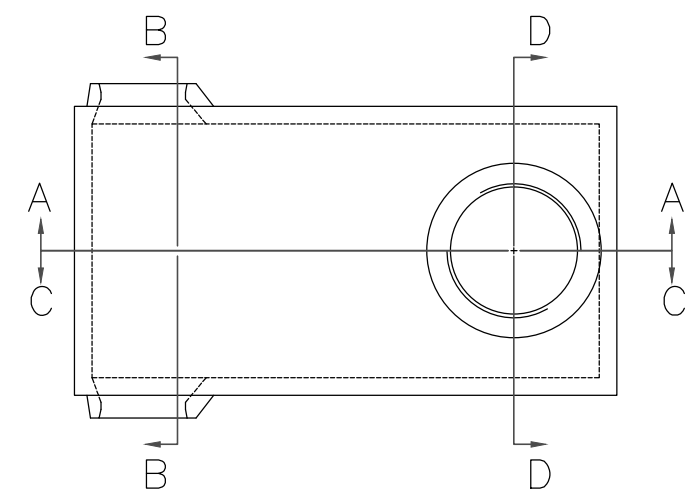


F.A.P. RTE.	SECTION	COUNTY	TOTAL SHEETS	SHEET NO.
338/IL 59	2011-035-1	DUPAGE		
FED.ROAD.DIST.NO.			CONTRACT 60P42	
ILLINOIS			FED. AID PROJECT	



PROJECT TITLE					ROUTE 59 ROAD IMPROVEMENTS					
PROJECT DESCRIPTION					DETAILS AND STANDARDS					
ENGINEER	BCC	DRAFTING DATE	5-11-12	MAP #	4211,4212,4223	SCALE	N.T.S.			
GIS DESIGN BY	DL	DRAFTED BY	PSM	REVISIONS DATE	N/A	PROJECT #	EU-12			
CHECKED BY		APPROVED BY		CAD FILE	0060648001D161.DWG	SHEET #	61 OF 63			
Naperville			Department of Public Utilities			Electric Division			WORK REQUEST #	60468