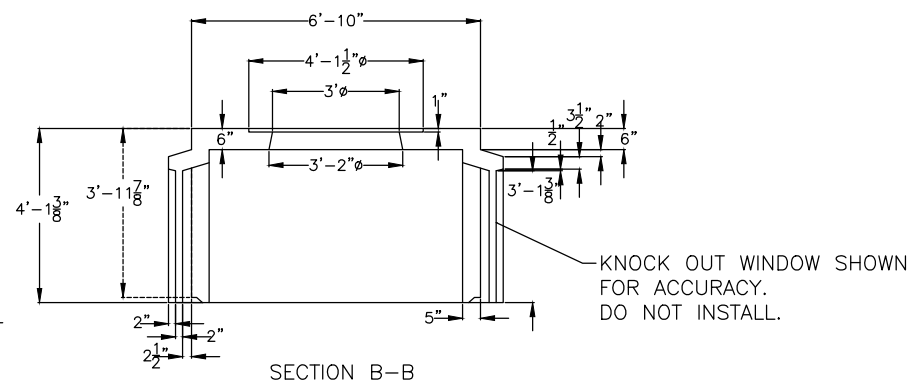
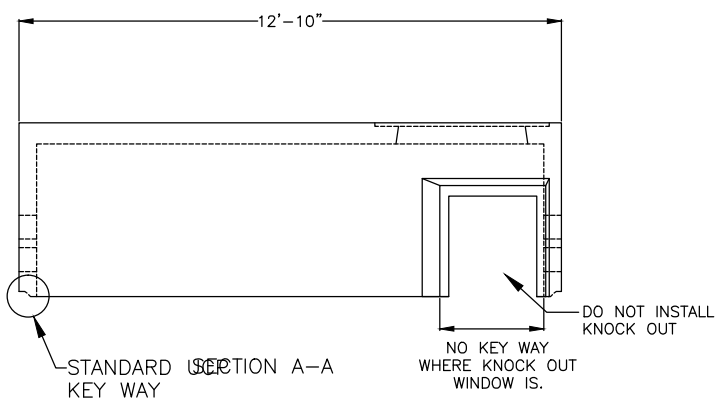
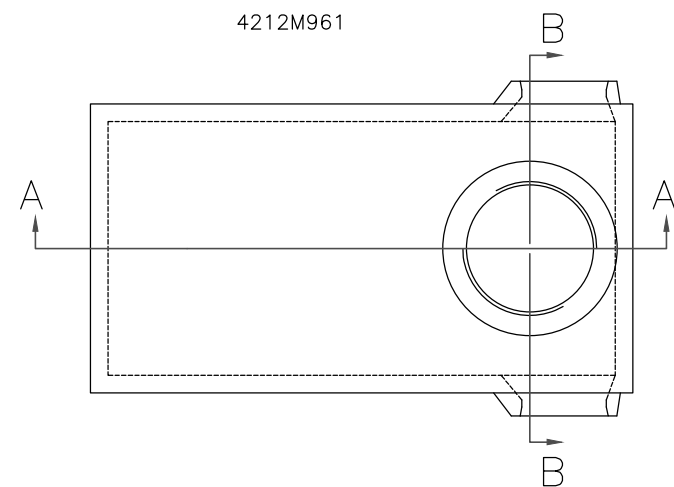
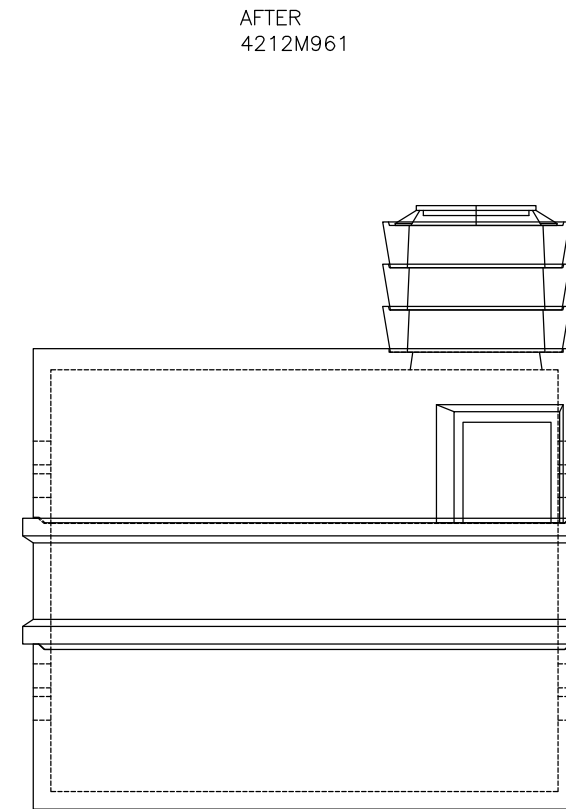
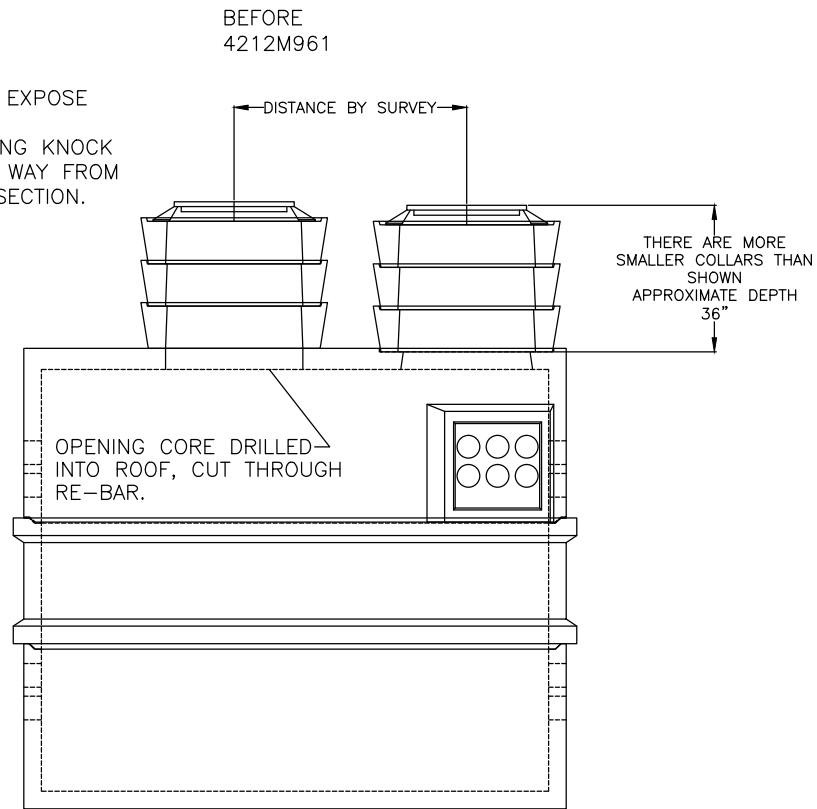


F.A.P. RTE.	SECTION	COUNTY	TOTAL SHEETS	SHEET NO.
338/IL 59	2011-035-1	DUPAGE		
FED.ROAD.DIST.NO.			CONTRACT 60P42	
ILLINOIS		FED. AID PROJECT		

- 1) CONTRACTOR TO DIG DOWN AND EXPOSE TOP SECTION OF MANHOLE.
- 2) CUT OUT CONDUITS FROM EXISTING KNOCK OUT WINDOWS, AND REMOVE KEY WAY FROM UNDER KNOCK WINDOW OF TOP SECTION.



PROJECT TITLE					ROUTE 59 ROAD IMPROVEMENTS					
PROJECT DESCRIPTION					DETAILS AND STANDARDS					
ENGINEER	BCC	DRAFTING DATE	5-11-12	MAP #	4211,4212,4223	SCALE	N.T.S.			
GIS DESIGN BY	DL	DRAFTED BY	PSM	AT&T JOINT AGREEMENT #	N/A	PROJECT #	EU-12			
CHECKED BY		APPROVED BY		CAD FILE	0060648001D62.DWG	SHEET #	62 OF 63			
Naperville				Department of Public Utilities Electric Division				WORK REQUEST # 60468		