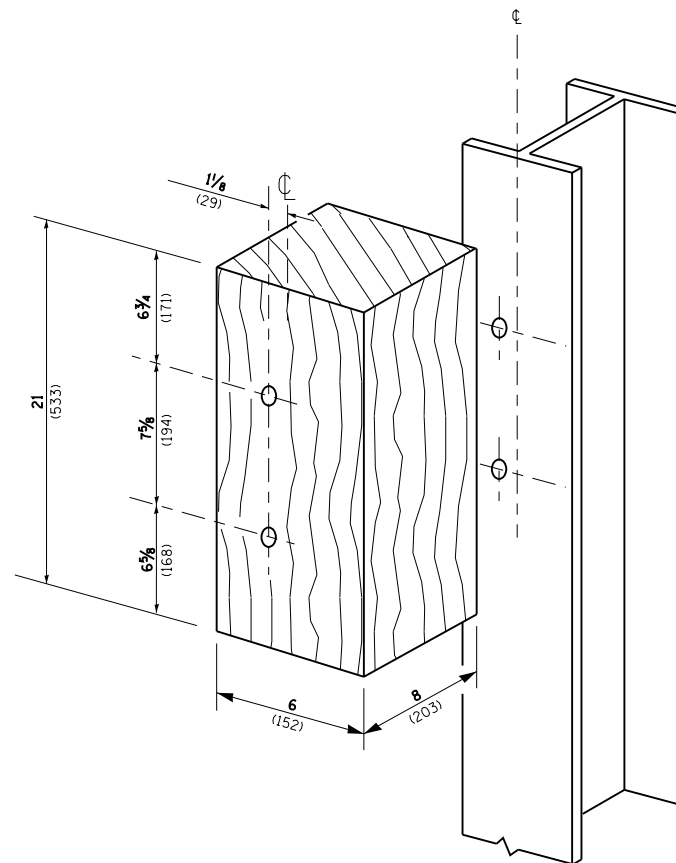
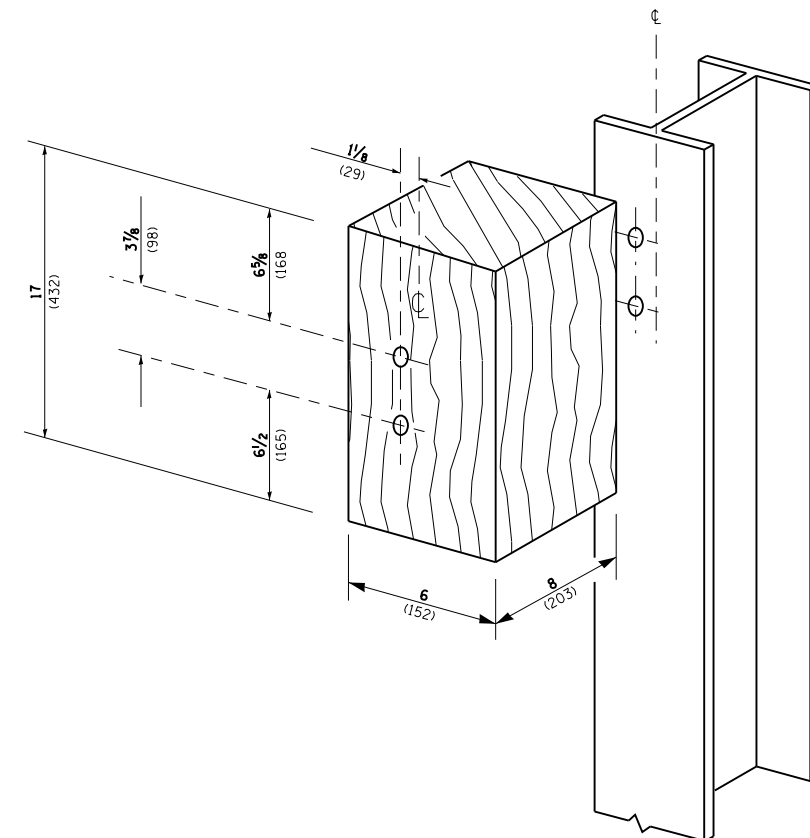


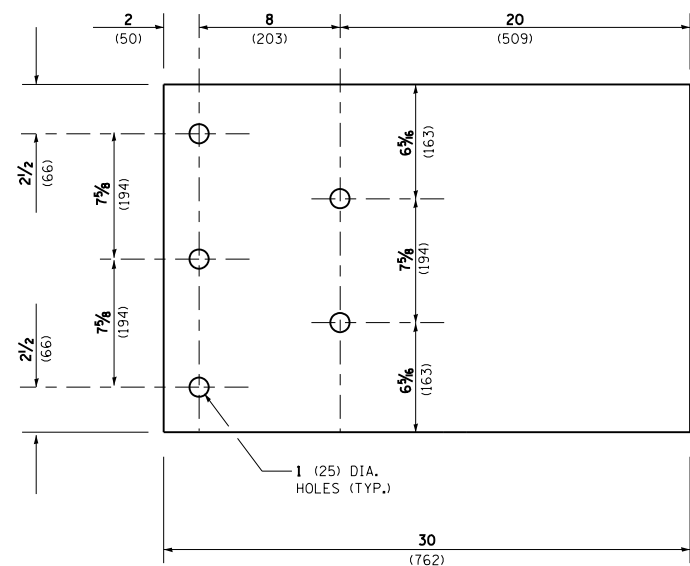
THRIE BEAM END SHOE DETAIL



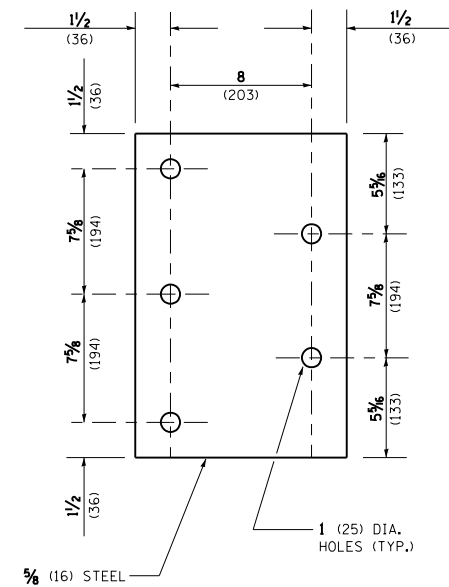
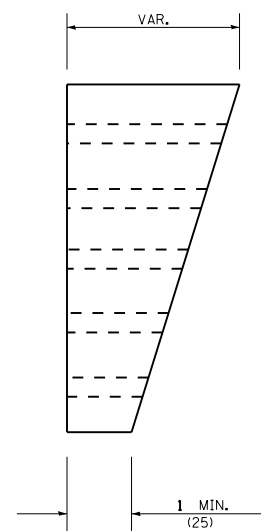
POSTS 1-11 WOOD BLOCKOUT DETAIL



POST 12 WOOD BLOCKOUT DETAIL



PARAPET WOOD BLOCK-OUT DETAIL



PARAPET STEEL BEARING PLATE DETAIL

(5 EACH INDIVIDUAL 5x5x3/8 (125x125x16) STEEL PLATES WITH CENTERED 1 (25) HOLES MAY BE SUBSTITUTED FOR THE PLATE SHOWN.)

FILE NAME =	USER NAME = pyrzanowskirb	DESIGNED -	REVISED - STATE STANDARD:
et:\pw_work\p1dot\pyrzanowskirb\d030700	ND142312-sht-plan.dgn	DRAWN -	631031-05 - 02/19/2008
	PLOT SCALE = 100.0000' / 1"	CHECKED -	REVISED -
	PLOT DATE = 8/8/2012	DATE -	REVISED -

**STATE OF ILLINOIS
DEPARTMENT OF TRANSPORTATION**

**TYPE 6 TERMINAL
FOR USE WITH 21" HIGH SPBGR**

SCALE: NONE SHEET NO. 3 OF 3 SHEETS STA. TO STA.

F.A. RTE.	SECTION	COUNTY	TOTAL SHEETS	SHEET NO.
VAR.	2012-022 GRR	VARIOUS	23	22
BM 22		CONTRACT NO. 60T74		
FED. ROAD DIST. NO. 1 ILLINOIS FED. AID PROJECT				