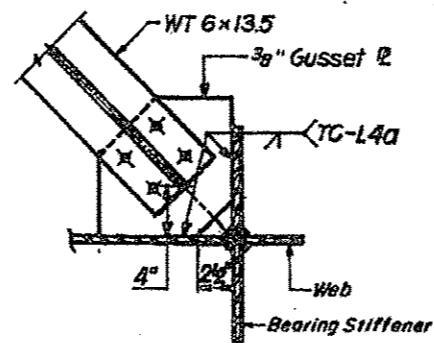


TYPICAL END CROSS FRAME CF6
No. Required - 8



TYPICAL CONNECTION PLATE AT END CORNERS
Note "C"

FILE NAME *	USER NAME * pughst	DESIGNED -	REVISED -
c:\pv_work\pdsdot\pughst\d0313773\010051	shlt-plan.dgn	DRAWN -	REVISED -
	PLOT SCALE * 100.0000 1/ in.	CHECKED -	REVISED -
#MODELNAME*	PLOT DATE * 9/20/2012	DATE -	REVISED -

STATE OF ILLINOIS
DEPARTMENT OF TRANSPORTATION

CROSS FRAME DETAILS
SN 016-2468: US 12/2045 OVER S&S AND I&M CANALS, AND ICG RR
SCALE: SHEET 8 OF 11 SHEETS STA. TO STA.

F.A.P. RTE.	SECTION	COUNTY	TOTAL SHEETS	SHEET NO.
330	2012-054 BP	COOK	75	24
CONTRACT NO. 60V56				
ILLINOIS FED. AID PROJECT				