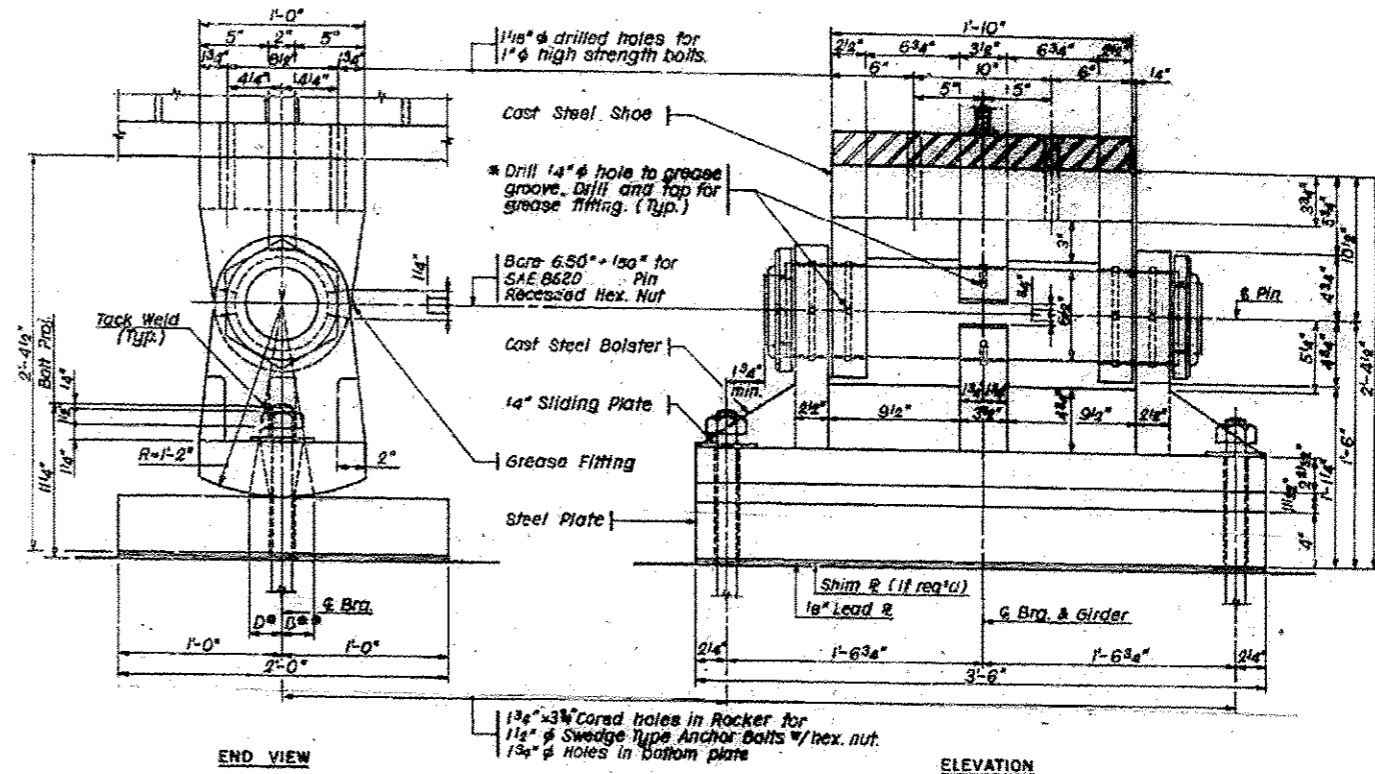
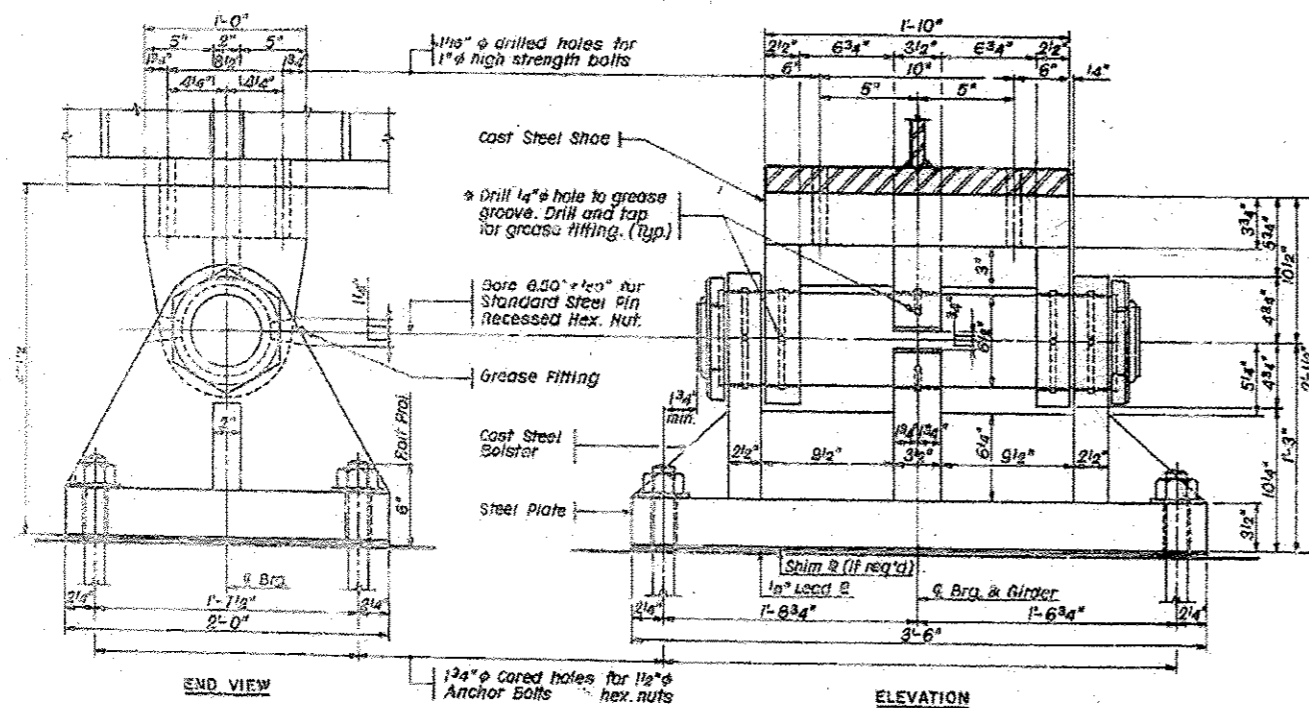


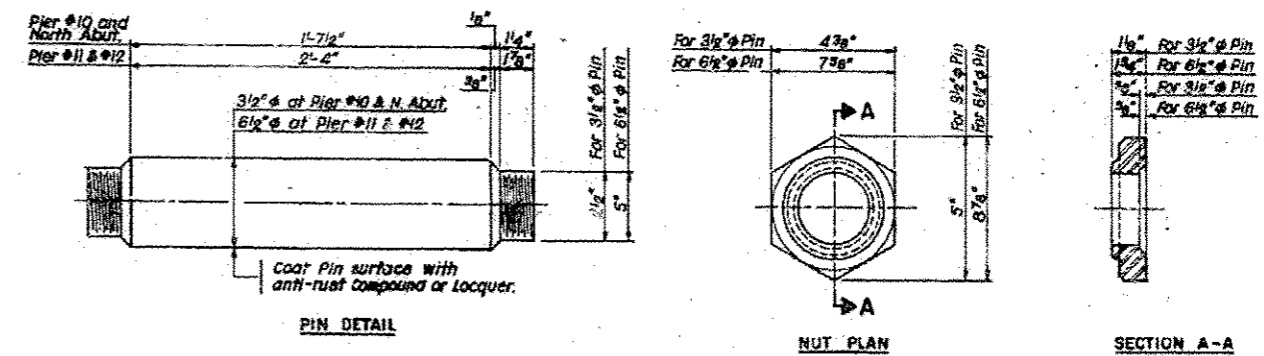
EXPANSION BEARING - AT PIER NO. 10 AND NORTH ABUT.



EXPANSION BEARINGS - AT PIER NO. 12



FIXED BEARINGS - AT PIER NO. 11



BEARING ASSEMBLY DETAILS

FILE NAME *	USER NAME * edwardj	DESIGNED -	REVISED -	STATE OF ILLINOIS DEPARTMENT OF TRANSPORTATION	BEARING DETAILS SN 010-2488 US 12/20/95 OVER S&S AND I&M CANALS AND ICG RR	F.A.B. R.T.E.	SECTION	COUNTY	TOTAL SHEETS	SHEET NO.	
PLT SCALE = 1/8" = 1'-0"	PLT DATE = 9/28/2012	DRAWN -	REVISED -			330	2012-054_BR	COOK	25	27	
MODEL NAME *		CHECKED -	REVISED -			CONTRACT NO. 60X56					
		DATE -	REVISED -			ILLINOIS FED. AID PROJECT					