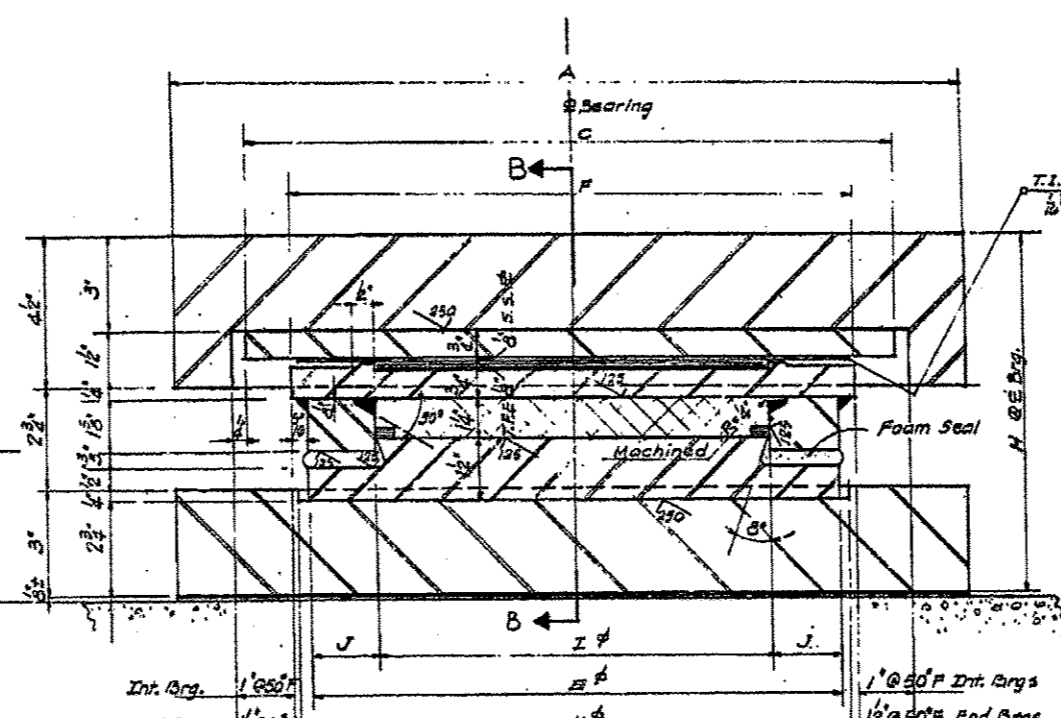
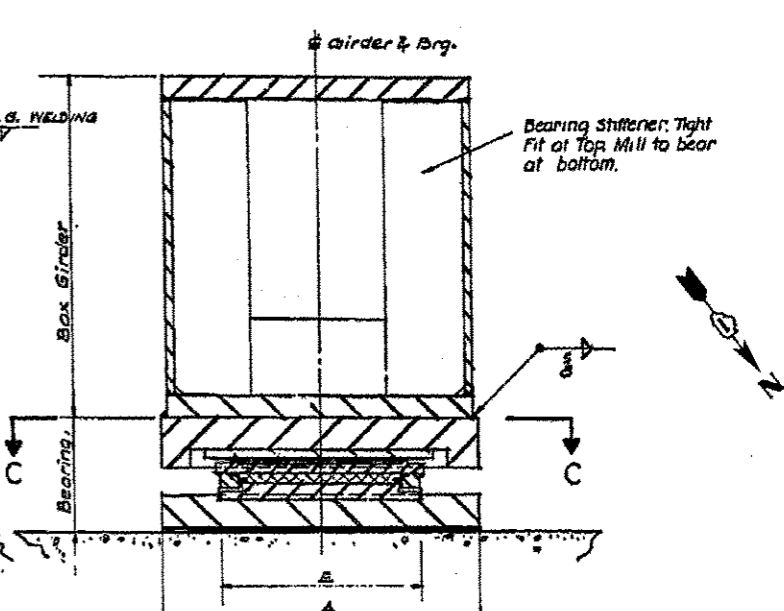


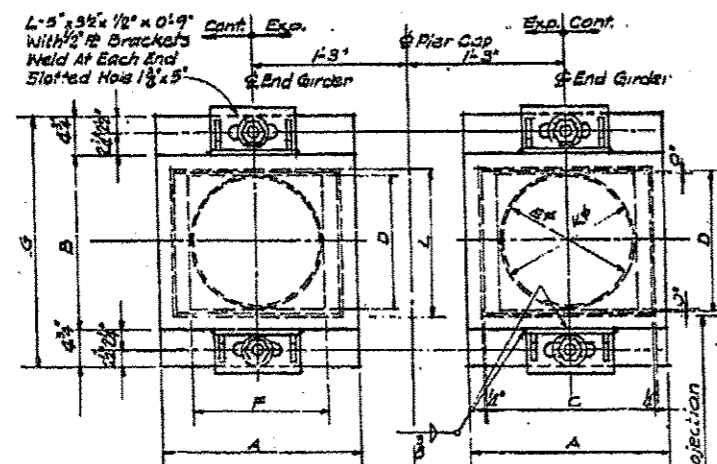
SECTION THRU END EXPANSION BEARINGS



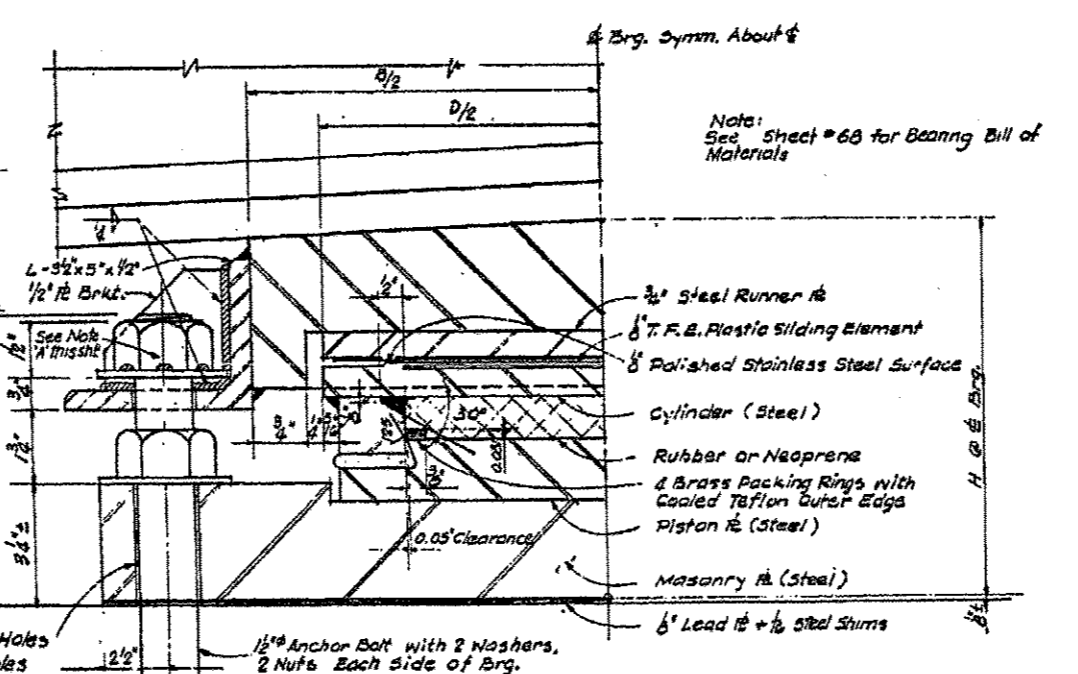
TYPICAL EXPANSION BEARING DETAILS & DIMS.



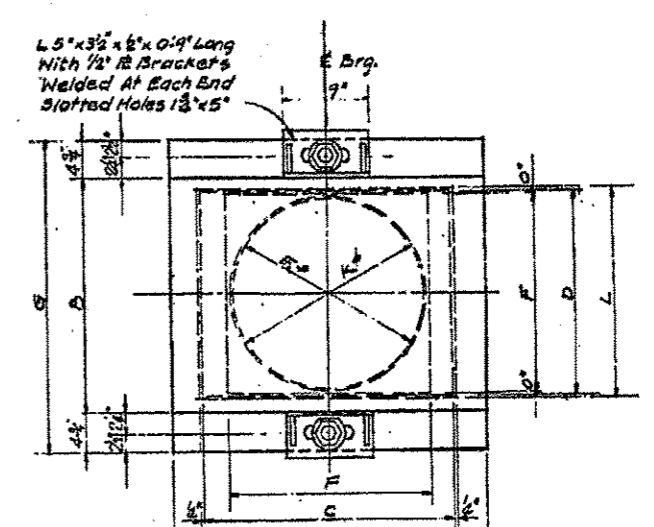
SECTION THRU BOX GIRDER EXP BRG.



SECTIONAL PLAN A-A



SHOWING HALF OF SECTION B-B



SECTIONAL PLAN C-C

FILE NAME *	USER NAME * reichenbach1	DESIGNED -	REVISED -	STATE OF ILLINOIS DEPARTMENT OF TRANSPORTATION	BEARING DETAILS SN 016-2467; US 122045 OVER DES PLAINES RIVER & SANTA FE DR	F.A.P. RTE.	SECTION	COUNTY	TOTAL SHEETS	SHEET NO.	
o:\pe_work\p10dot\reichenbach1\0831377	0188513-shr-plan.dgn	DRAWN -	REVISED -			330	2012-054 BP	COOK	75	72	
PLOT SCALE * 100.0000 / 1 in.		CHECKED -	REVISED -			CONTRACT NO. 60V56					
#MODELNAME*	PLOT DATE * 9/28/2012	DATE -	REVISED -			ILLINOIS FED. AID PROJECT					
						SCALE:	SHEET 29	OF 30	SHEETS	STA.	TO STA.