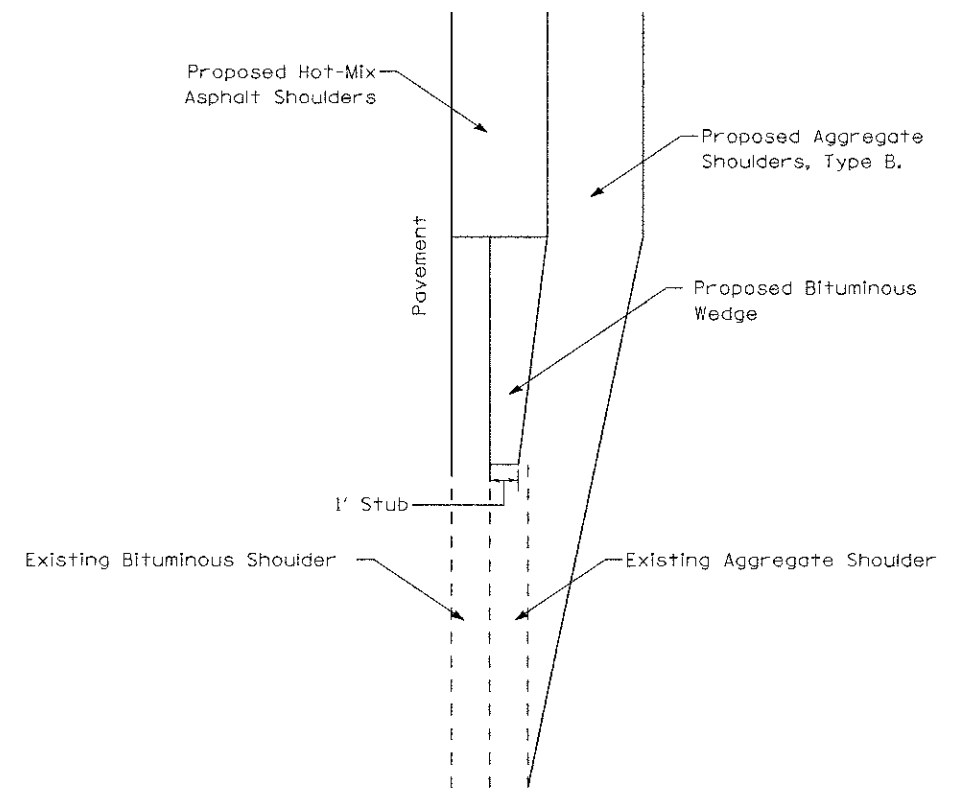
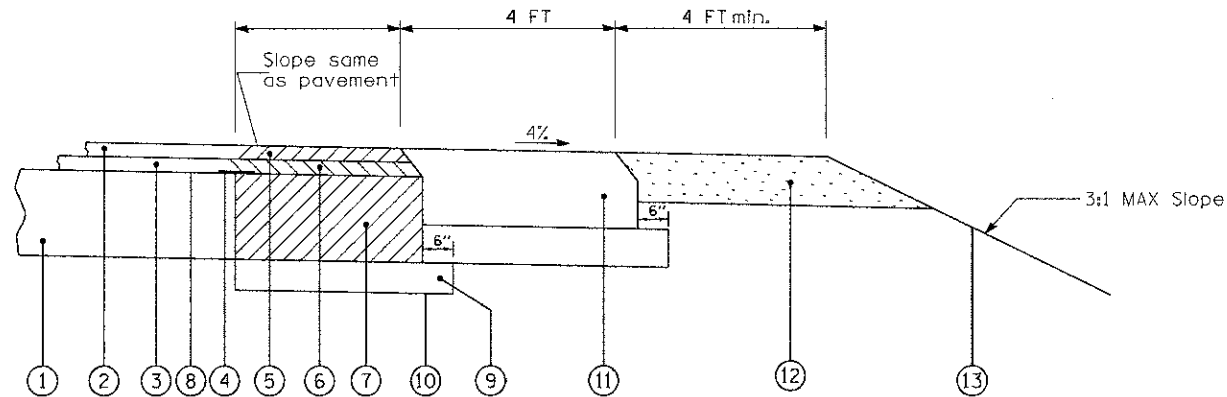


SHOULDER FOR TANGENT PAVEMENT W/ WEDGE

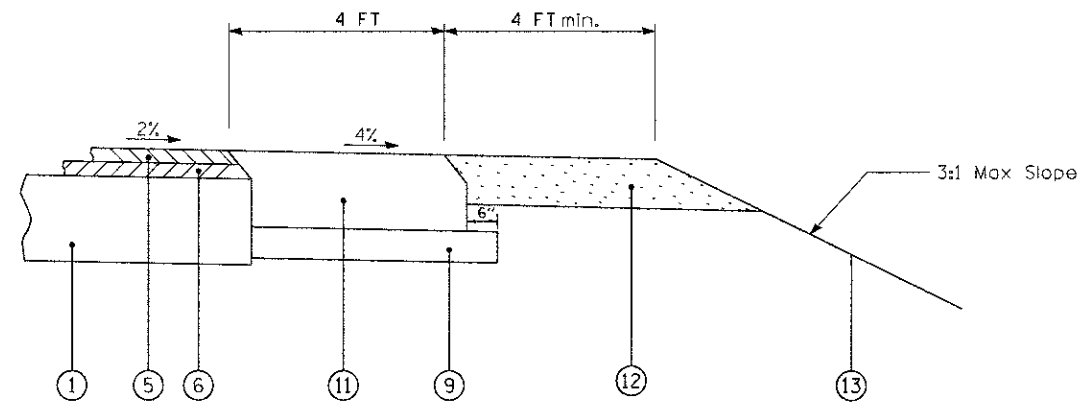


**SHOULDER TAPER DETAIL
PLAN VIEW**

NOTE:
TAPER THE HOT-MIX ASPHALT SHOULDERS DOWN TO THE EXISTING AGGREGATE SHOULDER WITH 1' STUB.
(TAPER RATE SHALL BE 1:5SPEED)



**HMA AND AGGREGATE
SHOULDERS WITH WIDENING & RESURFACING**



**HMA AND AGGREGATE SHOULDERS
WITH RESURFACING**

LEGEND

- ① EXISTING PAVEMENT
- ② EXISTING HMA SURFACE COURSE
- ③ EXISTING HMA BINDER COURSE
- ④ SAWCUT EXISTING PAVEMENT & INSTALL 24" WIDE STRIP REFLECTIVE CRACK CONTROL TREATMENT, TYPE A
- ⑤ PROPOSED HMA SURFACE COURSE, MIX "D", N70, 1 1/2"
- ⑥ PROPOSED HMA BINDER COURSE, IL-19, N70, 2 1/2"
- ⑦ PROPOSED HMA BASE COURSE, 9"
- ⑧ PRIME COAT
- ⑨ PROPOSED SUB-BASE GRANULAR MATERIAL, TYPE B, 6"
- ⑩ PROPOSED AGGREGATE SUBGRADE
- ⑪ PROPOSED HMA SHOULDERS, 8"
- ⑫ PROPOSED AGGREGATE SHOULDERS, TYPE B, 6"
- ⑬ PROPOSED TOPSOIL, SEEDING, CL 2A & EROSION CONTROL BLANKET

FILE NAME =	USER NAME = #USER#	DESIGNED -	REVISED - 11-5-2010	McHENRY COUNTY DIVISION OF TRANSPORTATION	SHOULDER DETAIL				TR	SECTION	COUNTY	TOTAL SHEETS	SHEET NO.
#FILE#		DRAWN -	REVISED -		21	08-00356-00-BR	McHENRY	77	59				
		CHECKED -	REVISED -		CONTRACT NO. 63666								
		DATE -	REVISED -	SCALE: NTS	SHEET NO.	OF SHEETS	STA.	TO STA.	FED. ROAD DIST. NO.	ILLINOIS FED. AID PROJECT			