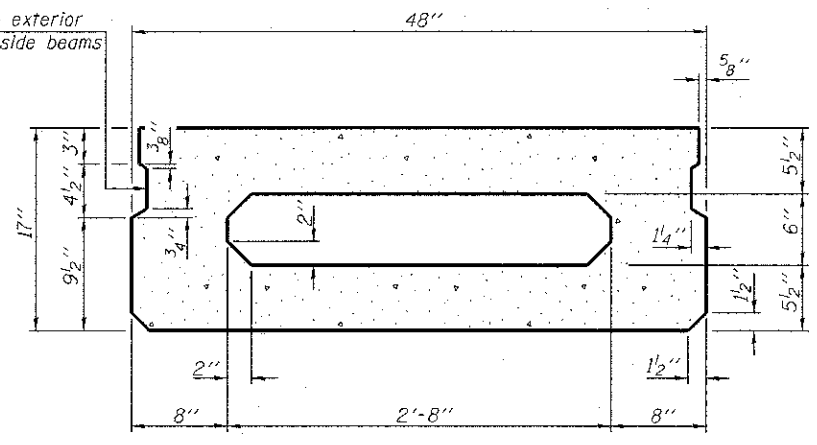
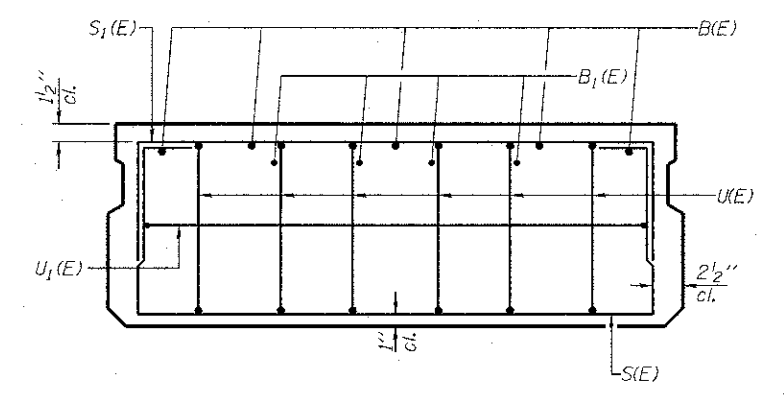


SECTION A-A

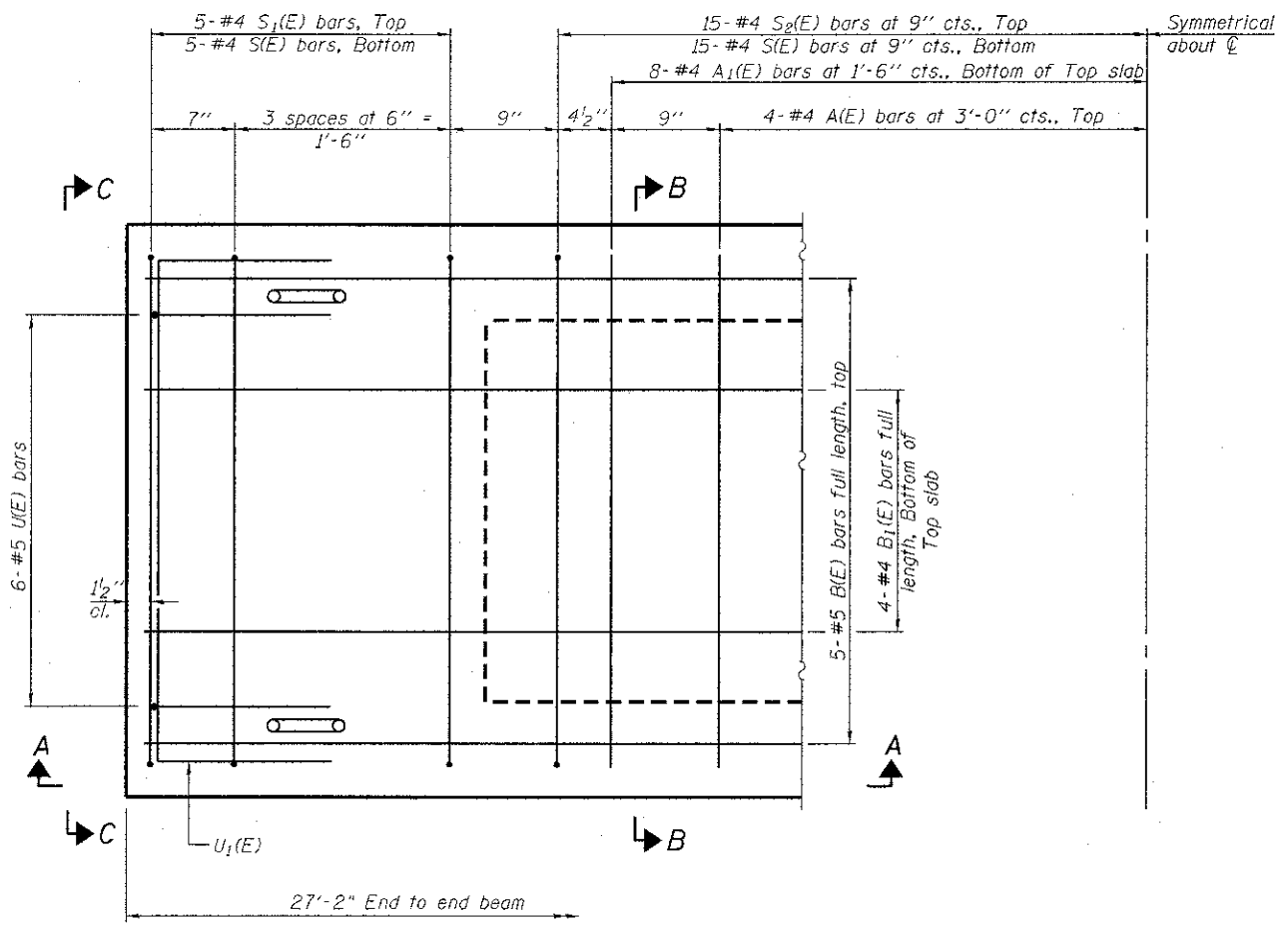
Omit key on exterior face of outside beams



SECTION B-B
(Showing dimensions)



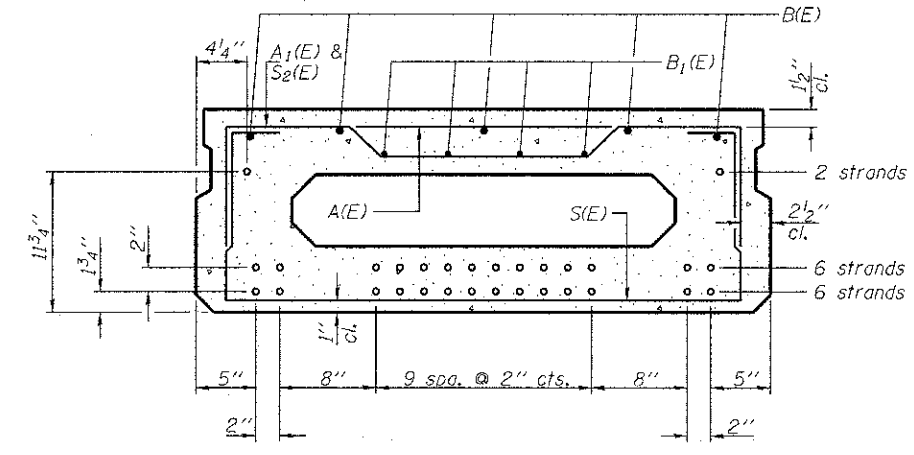
VIEW C-C



PLAN VIEW

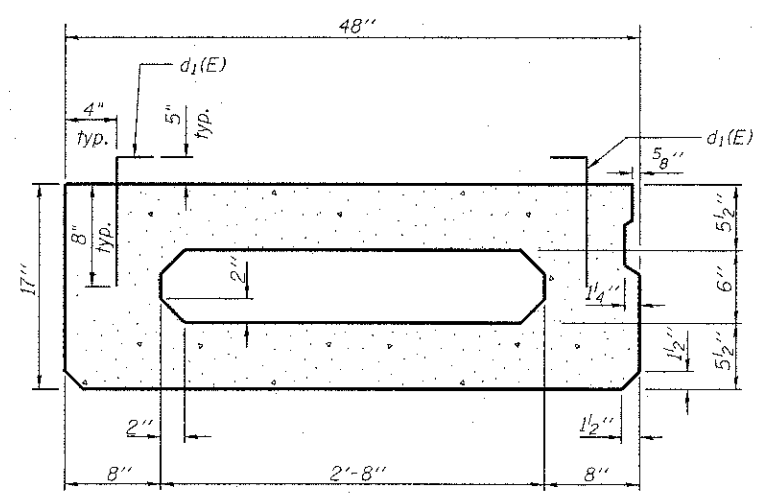
Note: Spacing of S1(E) and S2(E) bars may be adjusted up to 4" in the immediate area of the transverse tie diaphragms to miss the block outs for the transverse ties.

Symmetrical about C-C



SECTION B-B

(Showing reinforcement and permissible strand locations)
Note: Place the number of strands specified in each row symmetrically about the centerline of beam in the permissible strand locations shown.



SECTION B-B
(Showing Outer Beam extra reinforcement)

BAR LIST
ONE BEAM ONLY
(For information only)

Bar	No.	Size	Length	Shape
A(E)	8	#4	3'-7"	—
A1(E)	15	#4	3'-10"	—
B(E)	5	#5	26'-11"	—
B1(E)	4	#4	26'-11"	—
S(E)	40	#4	6'-9"	U
S1(E)	10	#4	5'-3"	U
S2(E)	30	#4	5'-6"	U
U(E)	12	#5	3'-8"	U
U1(E)	2	#4	6'-0"	U
d1(E)	38	#4	1'-9"	U

Note: See sheet 20 of 33 for additional details, notes and Bill of Material.
* Additional reinforcement in Outer Beams Only
See Sheet 20 of 33 for d1(E) bar details.

MINIMUM BAR LAP
#4 bar = 2'-0"
#5 bar = 2'-6"

FILE NAME: W:\755-012_Inventory\phase 1\cadd sheets\structure\0563184-000-018.dgn

PD-1748-0

7-1-10

Bollinger, Lach & Associates, Inc.
ITASCA, ILLINOIS

USER NAME = gonzalo	DESIGNED JMT	REVISED -
CHECKED JJI	REVISIONS -	REVISED -
PLOT SCALE =	DRAWN GM	REVISED -
PLOT DATE = 8/16/2012	CHECKED JJI	REVISED -

McHENRY COUNTY
DIVISION OF TRANSPORTATION
LAWRENCE ROAD BRIDGE OVER PISCASAW CREEK

17x48 PPC DECK BEAMS - 27'-2"
STRUCTURE NO. 056-3184

SHEET NO. 18 OF 33 SHEETS

F.A.S. RTE. 0028	SECTION 08-00355-01-BR	COUNTY McHENRY	TOTAL SHEETS 87	SHEET NO. 50
CONTRACT NO. 63694			ILLINOIS FED. AID PROJECT	