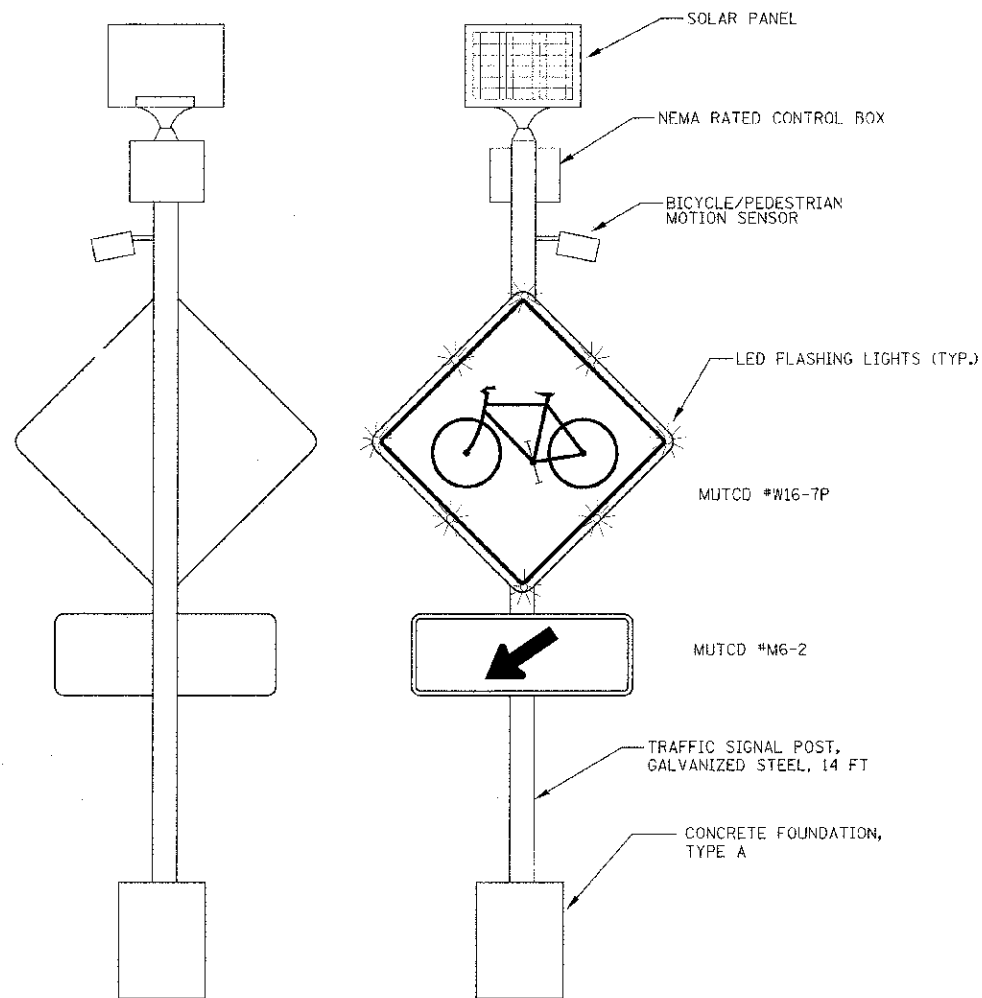
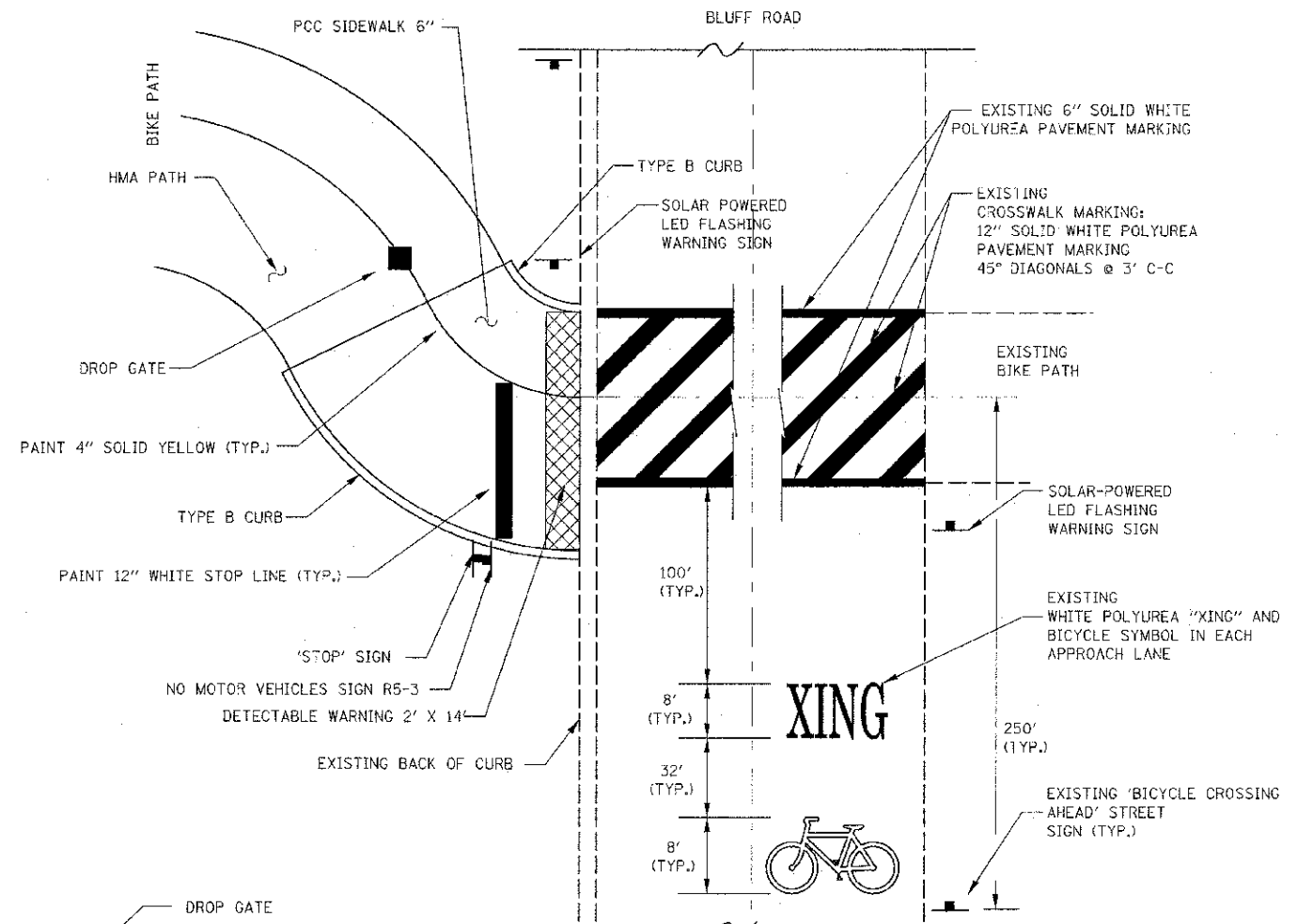


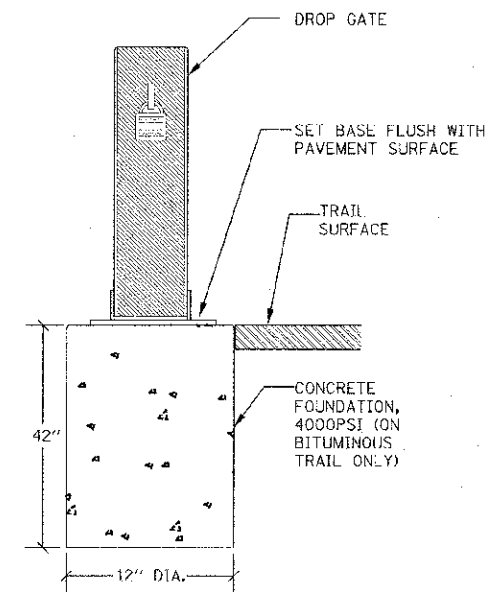
SIGN PLACEMENT
N.T.S.



SOLAR-POWERED LED FLASHING WARNING SIGN DETAIL
N.T.S.

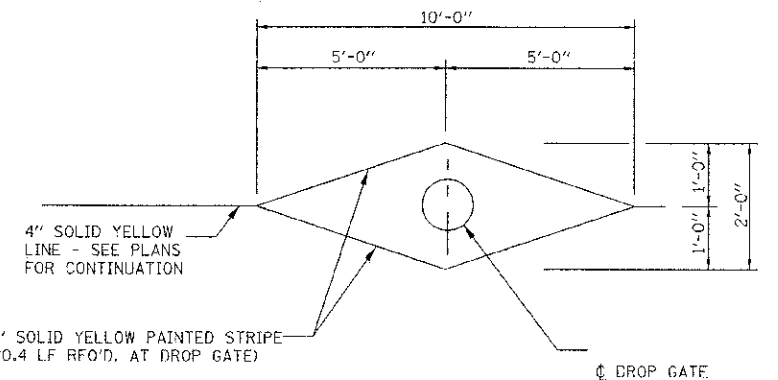


BLUFF ROAD INTERSECTION SIGN AND PAVEMENT MARKING DETAIL
N.T.S.



DROP GATE SECTION
N.T.S.

DROP GATE NOTES:
1. DROP GATE SHALL BE MANUFACTURED BY TRAFFICGUARD (877-727-7347), DOUBLE POST MODEL WITH DOUBLE LOCKS AND OPTIONAL PIN, OR APPROVED EQUAL.
2. INSTALL SO THAT DROP GATE LIES FLAT ON PAVEMENT WHEN UNLOCKED. DROP GATE TO BE FLUSH WITH PAVEMENT AND PARALLEL TO EDGES OF TRAIL WHEN OPEN.



DROP GATE STRIPING DETAIL
N.T.S.

FILE NAME: D:\V\F\2015\2016\Commuter\Trail\misc\vector\Bluffroad\Signage\3D\mmol\18_Miscellaneous_Details.dwg



USER NAME: David J. ...	DESIGNED: -	REVISED: -
PROJECT: ...	DRAWN: -	REVISED: -
PL01 061c x 3/21/2012	CHECKED: /DAK	REVISED: -
	DATE: 8/20/12	REVISED: -

FOREST PRESERVE DISTRICT OF WILL COUNTY, ILLINOIS

VETERANS TRAIL - NORTH MISCELLANEOUS DETAILS

F.A. RTE.	SECTION	COUNTY	TOTAL SHEETS	SHEET NO.
	11-F3000-00-BT	WILL	27	9
FED. ROAD DIST. NO.			ILLINOIS FED. AID PROJECT	
CONTRACT NO. 63728				

SCALE: NTS SHEET NO. 1 OF 4 SHEETS STA. TO STA.