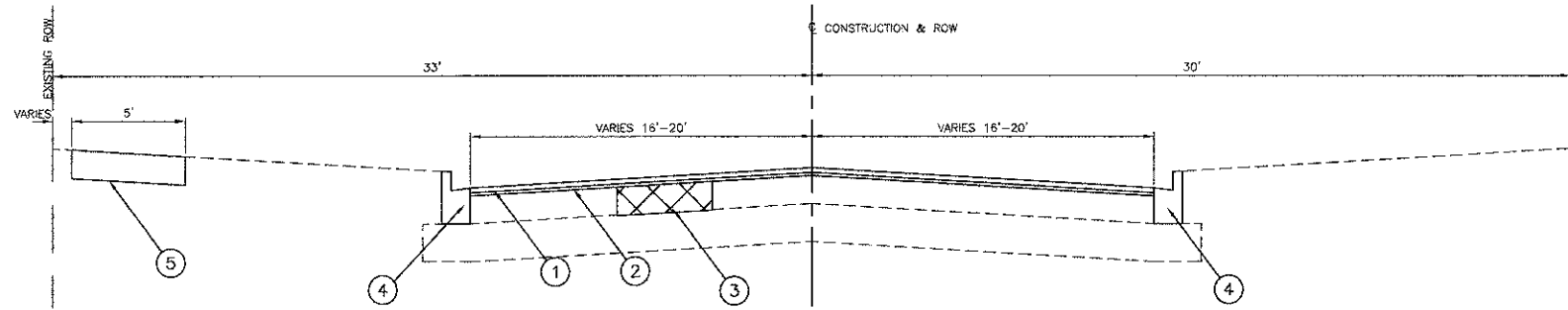


EXISTING TYPICAL SECTION

WALTER ZIMNEY DRIVE
STA 0+39 TO STA 29+16



PROPOSED TYPICAL SECTION

WALTER ZIMNEY DRIVE
STA 0+39 TO STA 29+16

EXISTING LEGEND

- (A) HOT MIX ASPHALT SURFACE REMOVAL, 2"
- (B) EXISTING CURB & GUTTER TO BE REMOVED AT LOCATIONS SHOWN ON PLANS OR DIRECTED BY ENGINEER
- (C) EXISTING PAVEMENT
- (D) PAVEMENT REMOVAL FOR CLASS D PATCHES
- (E) EXISTING PCC SIDEWALK TO BE REMOVED AT LOCATIONS SHOWN ON PLANS OR DIRECTED BY ENGINEER

PROPOSED LEGEND

- (1) HOT MIX ASPHALT SURFACE COURSE, MIX "D", N50, 1 1/2"
- (2) POLYMERIZED LEVELING BINDER (MACHINE METHOD), IL-4.75, N50, 3/4"
- (3) CLASS D PATCH, 7" AT LOCATIONS SHOWN ON PLANS OR DIRECTED BY ENGINEER
- (4) PROPOSED CURB AND GUTTER TO BE INSTALLED AT LOCATIONS SHOWN ON PLAN OR DIRECTED BY ENGINEER
- (5) PROPOSED PORTLAND CEMENT CONCRETE SIDEWALK 5"

HOT-MIX ASPHALT MIXTURE REQUIREMENTS

(CONTRACTOR SHALL MILL BEFORE PATCHING)

MIXTURE TYPE	AIR VOIDS @ Ndes
RESURFACING	
HOT-MIX ASPHALT SURFACE COURSE, MIX "D", N50, 1 1/2"	4% @ 50 Gyr.
POLYMERIZED LEVELING BINDER (MACHINE METHOD), IL-4.75, N50, 3/4"	3.5% @ 50 Gyr.
PATCHING	
CLASS D PATCHES, TYPE II, III, (HMA BINDER IL-19.0mm): 7" (IN 3 LIFTS)	4% @ 70 Gyr.
DRIVEWAYS	
HOT-MIX ASPHALT SURFACE COURSE, MIX "D", N50, 2"	4% @ 50 Gyr.
HOT-MIX ASPHALT BINDER COURSE, IL-19.0, N50, 2"	4% @ 50 Gyr.

NOTES:

1. THE UNIT WEIGHT USED TO CALCULATE ALL HMA SURFACE MIXTURE QUANTITIES IS 112 LBS/SQ YD/IN. FOR "AC TYPE" AND "PERCENT RAP" SEE DISTRICT ONE SPECIAL PROVISIONS.
2. THE "AC TYPE" FOR POLYMERIZED HMA MIXES SHALL BE "SBS/SBR PG 76-22" AND FOR NON-POLYMERIZED HMA THE "AC TYPE" SHALL BE "PG 64-22" UNLESS MODIFIED BY DISTRICT ONE SPECIAL PROVISIONS. FOR "PERCENT OF RAP" SEE DISTRICT ONE SPECIAL PROVISIONS.
3. CLASS D PATCHES, TYPE II & III AT APPROXIMATE STATIONS AS SHOWN ON THE PLANS OR AS DIRECTED BY THE ENGINEER.

FILE NAME = 11637-TYPX-01 - TYPX P01

USER NAME =	DESIGNED -- LJT	REVISED --
PLOT SCALE =	CHECKED -- HLG	REVISED --
PLOT DATE = 06-20-12	DRAWN -- MED	REVISED --
	CHECKED -- ACAD	REVISED --

STATE OF ILLINOIS
DEPARTMENT OF TRANSPORTATION

WALTER ZIMNY DRIVE STP PROJECT
147TH STREET TO WESTERN AVENUE
TYPICAL CROSS SECTIONS

SCALE: NONE SHEET NO. 3 OF 12 SHEETS STA. TO STA.

F.A.U. RTE.	SECTION	COUNTY	TOTAL SHEETS	SHEET NO.
1685	12-00004-00-RS	COOK	12	3
FED. ROAD DIST. NO. 1 ILLINOIS			CONTRACT NO. 63735	
FED. AID PROJECT M-9003(894)				