

STATE OF ILLINOIS
DEPARTMENT OF TRANSPORTATION
DIVISION OF HIGHWAYS

**PLANS FOR PROPOSED
FEDERAL AID HIGHWAY**

FAU 1665 (WALTER ZIMNY DRIVE)
FAU 1602 (147TH ST) TO FAP 370 (WESTERN AVENUE)

ROADWAY RESURFACING

PROJECT NO.: M-9003(994)

L.A. SECTION NO.: 12-00004-00-RS

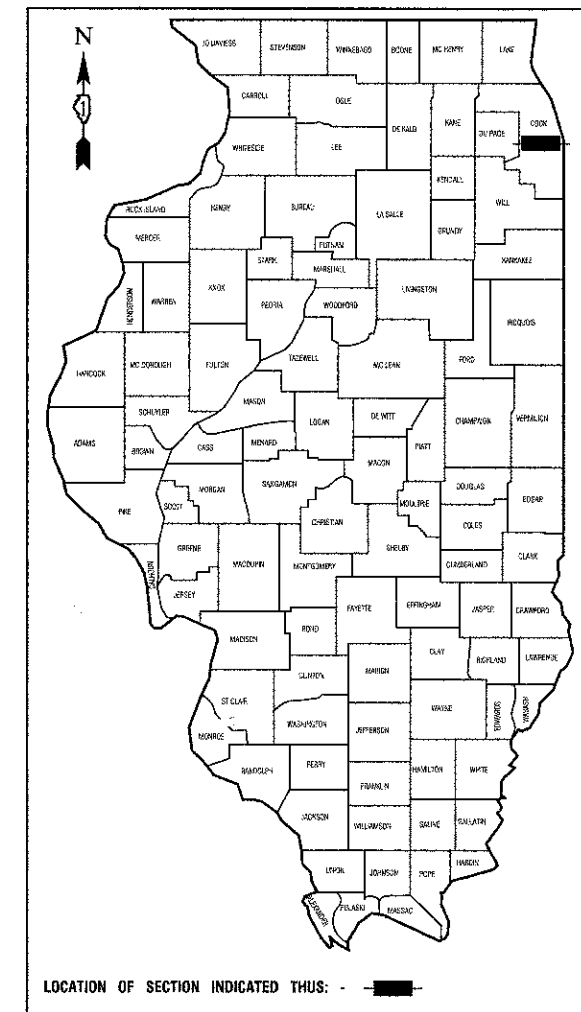
VILLAGE of POSEN

COOK COUNTY

C-91-346-12

F. A. S. PFE.	SECTION	COUNTY	TOTAL SHEETS	SHEET NO.
1665	12-00004-00-RS	COOK	12	1
STA. 0+39		TO STA. 29+16		
FED. ROAD DIST. NO. 1		ILLINOIS	FED. AID PROJECT M-9003(994)	

CONTRACT #63735



INDEX OF SHEETS

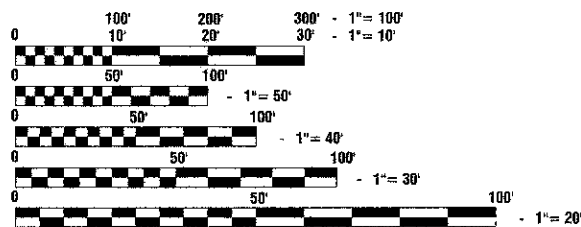
1. COVER SHEET, INDEX OF SHEETS & HIGHWAY STANDARDS
2. SUMMARY OF QUANTITIES & GENERAL NOTES
3. TYPICAL SECTIONS
- 4.-5. PAVEMENT PLAN
- 6.-7. PAVEMENT MARKING PLAN
- 8.-12. IDOT DISTRICT 1 STANDARD DETAILS

HIGHWAY STANDARDS

- 000001-06 STANDARD SYMBOLS, ABBREVIATIONS AND PATTERNS
- 424001-06 PERPENDICULAR CURB RAMPS
- 424011 CORNER PARALLEL CURB RAMPS FOR SIDEWALKS
- 424016 MID-BLOCK CURB AND RAMPS FOR SIDEWALKS
- 442201-03 CLASS C AND D PATCHES
- 602001-02 CATCH BASIN TYPE A
- 602301-03 INLET - TYPE A
- 606001-04 CONCRETE CURB TYPE B AND COMBINATION CONCRETE CURB AND GUTTER
- 701501-06 URBAN LANE CLOSURE, 2L, 2W, UNDIVIDED
- 701801-05 SIDEWALK, CORNER OR CROSSWALK CLOSURE
- 701901-02 TRAFFIC CONTROL DEVICES

	WALTER ZIMNY DRIVE
2012 ADT -	2500
2040 ADT -	2500
POSTED SPEED LIMIT -	20 mph
DESIGN PERIOD -	20 YEARS
DESIGN SPEED LIMIT -	25 mph
STREET CLASSIFICATION -	LOCAL COLLECTOR

- SCALES**
- PLAN - 1"=50'
 - PROFILE HORIZ. - 1"=50'
 - PROFILE VERT. - 1"=5'
 - CROSS SECTIONS - 1"=10'

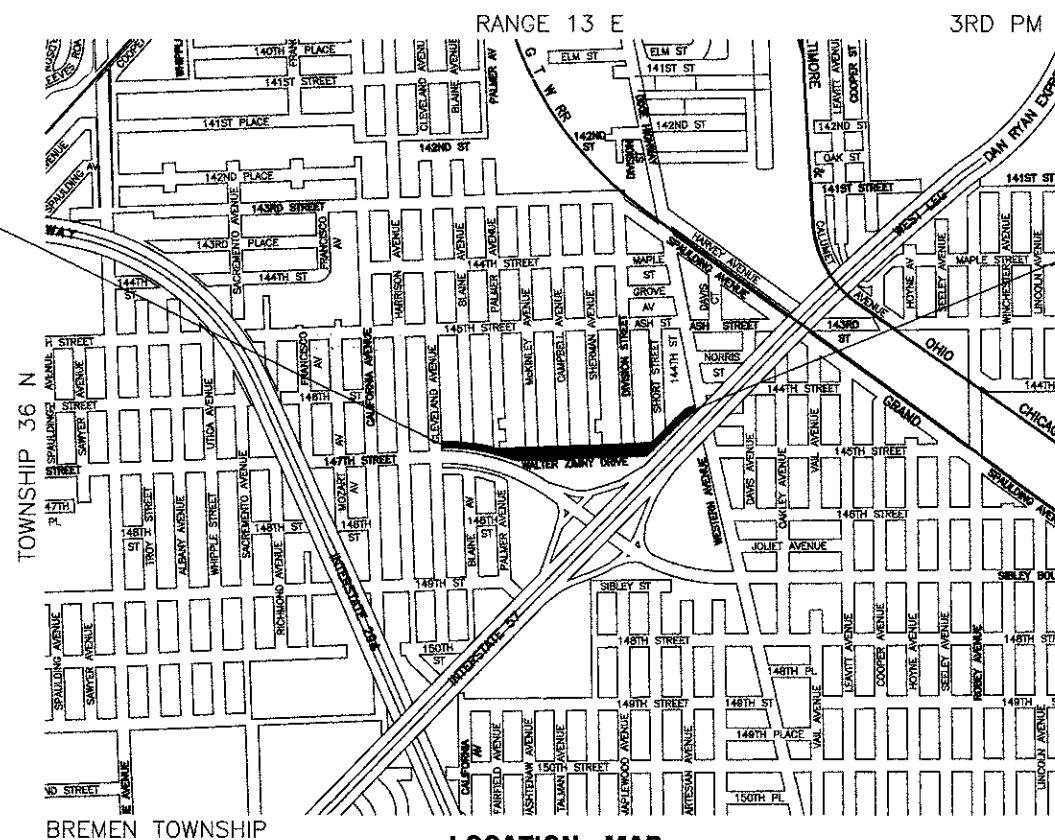


FULL SIZE PLANS HAVE BEEN PREPARED USING STANDARD ENGINEERING SCALES. REDUCED SIZED PLANS WILL NOT CONFORM TO STANDARD SCALES. IN MAKING MEASUREMENTS ON REDUCED PLANS, THE ABOVE SCALES MAY BE USED.

J. U. L. I. E.
JOINT UTILITY LOCATION INFORMATION FOR EXCAVATION
1-800-892-0123 or 811

CONTRACT NO. 63735

BEGINNING OF IMPROVEMENTS
WALTER ZIMNY DR STA 0+39



END OF IMPROVEMENTS
WALTER ZIMNY DR STA 29+16

LOCATION MAP

GROSS LENGTH=2877 FEET=0.55 MILES
NET LENGTH=2877 FEET=0.55 MILES

STATE OF ILLINOIS DEPARTMENT OF TRANSPORTATION
DIVISION OF HIGHWAYS

Approved: 08/20/2012
Arnold J. Schupok
President, Village of Posen

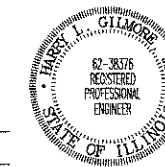
Passed: August 23, 2012
C. Holt
District 1 Engineer of Local Roads & Streets

Released for Bid Based on Limited Review
August 23, 2012
John Furtmann
Deputy Director of Highways, Region 1 Engineer

PRINTED BY THE AUTHORITY OF
THE STATE OF ILLINOIS

PREPARED BY OR UNDER THE
DIRECT SUPERVISION OF:

Mary L. Lehman
08/20/2012



LICENSE EXPIRES: 11/30/13

PROGRAM AND OFFICE ENGINEER: CHARLES F. RIDDLE, P.E. 847-705-4406, SCHAUMBURG, IL
CONSULTANTS: ROBINSON ENGINEERING, LTD. 708-331-6700

SUMMARY OF QUANTITIES					CONSTRUCTION TYPE CODE 0005
S.I.	CODE NO.	PAY ITEM	UNIT	QUAN	
	20101700	SUPPLEMENTAL WATERING	UNIT	2	2
	20200100	EARTH EXCAVATION	CU YD	2	2
	21101615	TOPSOIL FURNISH AND PLACE, 4"	SQ YD	216	216
	40201000	AGGREGATE FOR TEMPORARY ACCESS	TON	20	20
	40600100	BITUMINOUS MATERIALS (PRIME COAT)	GALLON	2497	2497
	40600300	AGGREGATE (PRIME COAT)	TON	50	50
	40600827	POLYMERIZED LEVELING BINDER (MACHINE METHOD), IL-4.75, N50	TON	541	541
	40600982	HOT-MIX ASPHALT SURFACE REMOVAL -- BUTT JOINT	SQ YD	260	260
	40603335	HOT-MIX ASPHALT SURFACE COURSE, MIX "D", N50	TON	1080	1080
	42300300	PORTLAND CEMENT CONCRETE DRIVEWAY PAVEMENT 7 INCH	SQ YD	205	205
	42400200	PORTLAND CEMENT CONCRETE SIDEWALK 5 INCH	SQ FT	2218	2218
	42400800	DETECTABLE WARNINGS	SQ FT	112	112
	44000157	HOT-MIX ASPHALT SURFACE REMOVAL, 2"	SQ YD	12500	12500
	44000200	DRIVEWAY PAVEMENT REMOVAL	SQ YD	711	711
	44000300	CURB REMOVAL	FT	18	18
	44000600	SIDEWALK REMOVAL	SQ FT	2218	2218
	44201729	CLASS D PATCHES, TYPE II, 7 INCH	SQ YD	14	14
	44201733	CLASS D PATCHES, TYPE III, 7 INCH	SQ YD	23	23
	60200105	CATCH BASINS, TYPE A, 4' DIAMETER, TYPE 1 FRAME, OPEN LID	EACH	1	1
	60234200	INLETS, TYPE A, TYPE 1 FRAME, OPEN LID	EACH	9	9
	60250200	CATCH BASINS TO BE ADJUSTED	EACH	13	13
	60252800	CATCH BASINS TO BE RECONSTRUCTED	EACH	1	1
	60255500	MANHOLES TO BE ADJUSTED	EACH	5	5

SUMMARY OF QUANTITIES					CONSTRUCTION TYPE CODE 0005
S.I.	CODE NO.	PAY ITEM	UNIT	QUAN	
	60257900	MANHOLES TO BE RECONSTRUCTED	EACH	3	3
	60258200	MANHOLES TO BE RECONSTRUCTED WITH NEW TYPE 1 FRAME, CLOSED LID	EACH	1	1
	60260100	INLETS TO BE ADJUSTED	EACH	7	7
	60260300	INLETS TO BE ADJUSTED WITH NEW TYPE 1 FRAME, OPEN LID	EACH	1	1
	60266600	VALVE BOXES TO BE ADJUSTED	EACH	8	8
	60500050	REMOVING CATCH BASINS	EACH	1	1
	60500060	REMOVING INLETS	EACH	9	9
	60600605	CONCRETE CURB, TYPE B	FOOT	18	18
	67100100	MOBILIZATION	L SUM	1	1
	70102620	TRAFFIC CONTROL AND PROTECTION, STANDARD 701501	L SUM	1	1
	70102640	TRAFFIC CONTROL AND PROTECTION, STANDARD 701801	L SUM	1	1
	70300100	SHORT TERM PAVEMENT MARKING	FOOT	786	786
	* 78000100	THERMOPLASTIC PAVEMENT MARKING -- LETTERS AND SYMBOLS	SQ FT	24	24
	* 78000200	THERMOPLASTIC PAVEMENT MARKING -- LINE 4"	FOOT	4995	4995
	* 78000650	THERMOPLASTIC PAVEMENT MARKING -- LINE 24"	FOOT	152	152
	X2520650	SODDING, SALT TOLERANT (SPECIAL)	SQ YD	216	216
	X6030310	FRAMES AND LIDS TO BE ADJUSTED (SPECIAL)	EACH	7	7
	XX008729	REMOVE AND REINSTALL SIGN PANEL	EACH	5	5
	Z0004562	COMBINATION CURB AND GUTTER REMOVAL AND REPLACEMENT	FOOT	2865	2865
	Z0004514	HOT-MIX ASPHALT DRIVEWAY PAVEMENT, 4"	SQ YD	506	506

GENERAL NOTES

- BEFORE STARTING ANY EXCAVATION THE CONTRACTOR SHALL CALL "J.U.L.I.E." AT (800) 892-0123 OR 811 AND (312) 744-7000 FOR FIELD LOCATIONS OF BURIED ELECTRIC, TELEPHONE AND GAS UTILITIES. (48 HOUR NOTIFICATION REQUIRED)
- UTILITIES INDICATED ON THE PLANS ARE PROVIDED FOR THE CONTRACTOR'S USE AND ARE BASED UPON INFORMATION AVAILABLE AT THE TIME OF THE ADVERTISEMENT FOR BIDS. THE OWNER AND ENGINEER DO NOT GUARANTEE THE ACCURACY OF UTILITY INFORMATION.
- IT SHALL BE THE CONTRACTOR'S RESPONSIBILITY TO VERIFY ALL DIMENSIONS AND CONDITIONS EXISTING IN THE FIELD PRIOR TO CONSTRUCTION AND ORDERING OF MATERIALS.
- THE THICKNESS OF HMA MIXTURE STATED IN THE SPECIFICATIONS IS THE NOMINAL THICKNESS. DEVIATIONS FROM THE NOMINAL THICKNESS WILL BE PERMITTED WHEN SUCH DEVIATIONS OCCUR DUE TO IRREGULARITIES IN THE EXISTING SURFACE OR BASE ON WHICH THE HMA SURFACE IS PLACED.
- ACCESS TO DRIVEWAYS SHALL BE MAINTAINED AT ALL TIMES BY LIMITING CURB AND GUTTER REPAIR TO ONE-HALF THE DRIVEWAY WIDTH AT ONE TIME THROUGH THE USE OF TEMPORARY AGGREGATE. ANY TEMPORARY AGGREGATE REQUIRED SHALL BE CONSIDERED INCIDENTAL TO THE RELATED PAY ITEM AS DIRECTED BY THE ENGINEER.
- THE REMOVAL AND/OR REPLACEMENT OF ANY DRIVEWAYS, PAVEMENT, CURB, SIDEWALK, ETC. SHALL BE ACCOMPLISHED BY MEANS OF A SAW CUT JOINT, AT THE DIRECTION OF THE ENGINEER. THIS WORK WILL NOT BE PAID FOR SEPARATELY, BUT SHALL BE INCLUDED IN THE UNIT PRICE FOR THE VARIOUS ITEMS.
- ANY LOOSE MATERIAL DEPOSITED IN THE FLOW LINE OF DITCHES, GUTTERS OR OTHER DRAINAGE STRUCTURES SHALL BE REMOVED BY THE END OF EACH DAY BY THE CONTRACTOR AT THEIR EXPENSE.
- FOR WORK OUTSIDE THE LIMITS OF BRIDGE APPROACH PAVEMENT, ALL REFERENCES IN THE HIGHWAY STANDARDS AND STANDARD SPECIFICATIONS FOR REINFORCEMENT, DOWEL BARS AND TIE IN BARS IN PAVEMENT, SHOULDERS, CURB, GUTTER, COMBINATION CURB AND GUTTER AND MEDIAN, AND CHAIR SUPPORTS FOR CRC PAVEMENT, SHALL BE EPOXY COATED, UNLESS OTHERWISE NOTED ON THE PLAN.

* -- INDICATES SPECIALTY ITEMS

FILE NAME = 11837-QUAN-01 - IDOT P01

USER NAME =	DESIGNED -- LJT	REVISED --
	CHECKED -- HLG	REVISED --
PLOT SCALE =	DRAWN -- MED	REVISED --
PLOT DATE = 08-20-12	CHECKED -- ACAD	REVISED --

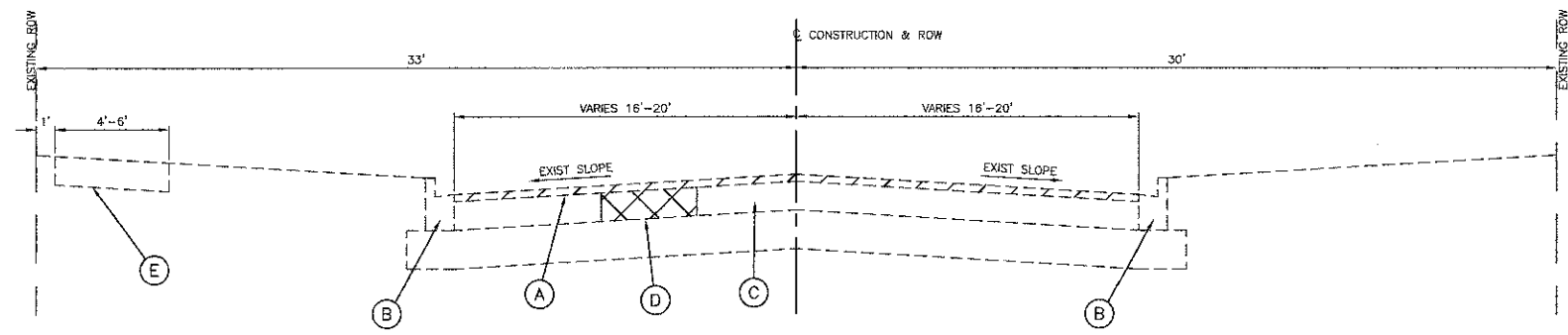
STATE OF ILLINOIS
DEPARTMENT OF TRANSPORTATION

WALTER ZIMNY DRIVE STP PROJECT
147TH STREET TO WESTERN AVENUE
SUMMARY OF QUANTITIES & GENERAL NOTES

F.A.U. RTE.	SECTION	COUNTY	TOTAL SHEETS	SHEET NO.
1665	12-00004-00-RS	COOK	12	2
CONTRACT NO. 63735				

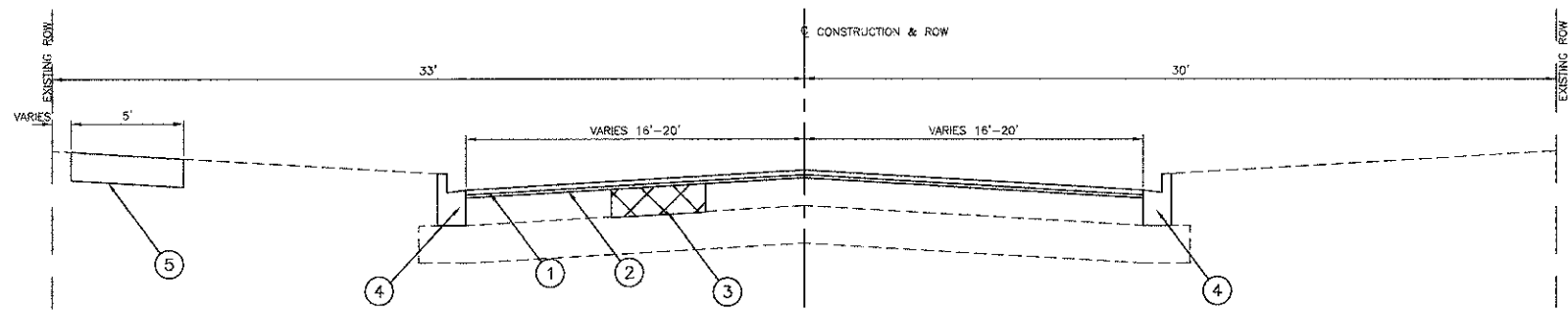
SCALE: SHEET NO. 2 OF 12 SHEETS STA. TO STA.

FED. ROAD DIST. NO. 1 ILLINOIS FED. AID PROJECT M-9003(894)



EXISTING TYPICAL SECTION

WALTER ZIMNEY DRIVE
STA 0+39 TO STA 29+16



PROPOSED TYPICAL SECTION

WALTER ZIMNEY DRIVE
STA 0+39 TO STA 29+16

EXISTING LEGEND

- (A) HOT MIX ASPHALT SURFACE REMOVAL, 2"
- (B) EXISTING CURB & GUTTER TO BE REMOVED AT LOCATIONS SHOWN ON PLANS OR DIRECTED BY ENGINEER
- (C) EXISTING PAVEMENT
- (D) PAVEMENT REMOVAL FOR CLASS D PATCHES
- (E) EXISTING PCC SIDEWALK TO BE REMOVED AT LOCATIONS SHOWN ON PLANS OR DIRECTED BY ENGINEER

PROPOSED LEGEND

- (1) HOT MIX ASPHALT SURFACE COURSE, MIX "D", N50, 1 1/2"
- (2) POLYMERIZED LEVELING BINDER (MACHINE METHOD), IL-4.75, N50, 3/4"
- (3) CLASS D PATCH, 7" AT LOCATIONS SHOWN ON PLANS OR DIRECTED BY ENGINEER
- (4) PROPOSED CURB AND GUTTER TO BE INSTALLED AT LOCATIONS SHOWN ON PLAN OR DIRECTED BY ENGINEER
- (5) PROPOSED PORTLAND CEMENT CONCRETE SIDEWALK 5"

HOT-MIX ASPHALT MIXTURE REQUIREMENTS

(CONTRACTOR SHALL MILL BEFORE PATCHING)

MIXTURE TYPE	AIR VOIDS @ Ndes
RESURFACING	
HOT-MIX ASPHALT SURFACE COURSE, MIX "D", N50, 1 1/2"	4% @ 50 Gyr.
POLYMERIZED LEVELING BINDER (MACHINE METHOD), IL-4.75, N50, 3/4"	3.5% @ 50 Gyr.
PATCHING	
CLASS D PATCHES, TYPE II, III, (HMA BINDER IL-19.0mm): 7" (IN 3 LIFTS)	4% @ 70 Gyr.
DRIVEWAYS	
HOT-MIX ASPHALT SURFACE COURSE, MIX "D", N50, 2"	4% @ 50 Gyr.
HOT-MIX ASPHALT BINDER COURSE, IL-19.0, N50, 2"	4% @ 50 Gyr.

NOTES:

1. THE UNIT WEIGHT USED TO CALCULATE ALL HMA SURFACE MIXTURE QUANTITIES IS 112 LBS/SQ YD/IN. FOR "AC TYPE" AND "PERCENT RAP" SEE DISTRICT ONE SPECIAL PROVISIONS.
2. THE "AC TYPE" FOR POLYMERIZED HMA MIXES SHALL BE "SBS/SBR PG 76-22" AND FOR NON-POLYMERIZED HMA THE "AC TYPE" SHALL BE "PG 64-22" UNLESS MODIFIED BY DISTRICT ONE SPECIAL PROVISIONS. FOR "PERCENT OF RAP" SEE DISTRICT ONE SPECIAL PROVISIONS.
3. CLASS D PATCHES, TYPE II & III AT APPROXIMATE STATIONS AS SHOWN ON THE PLANS OR AS DIRECTED BY THE ENGINEER.

FILE NAME = 11637-TYPX01 - TYPX P01

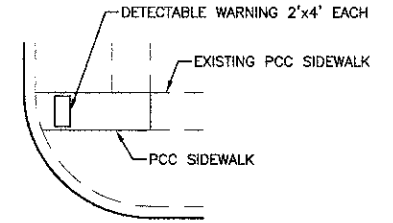
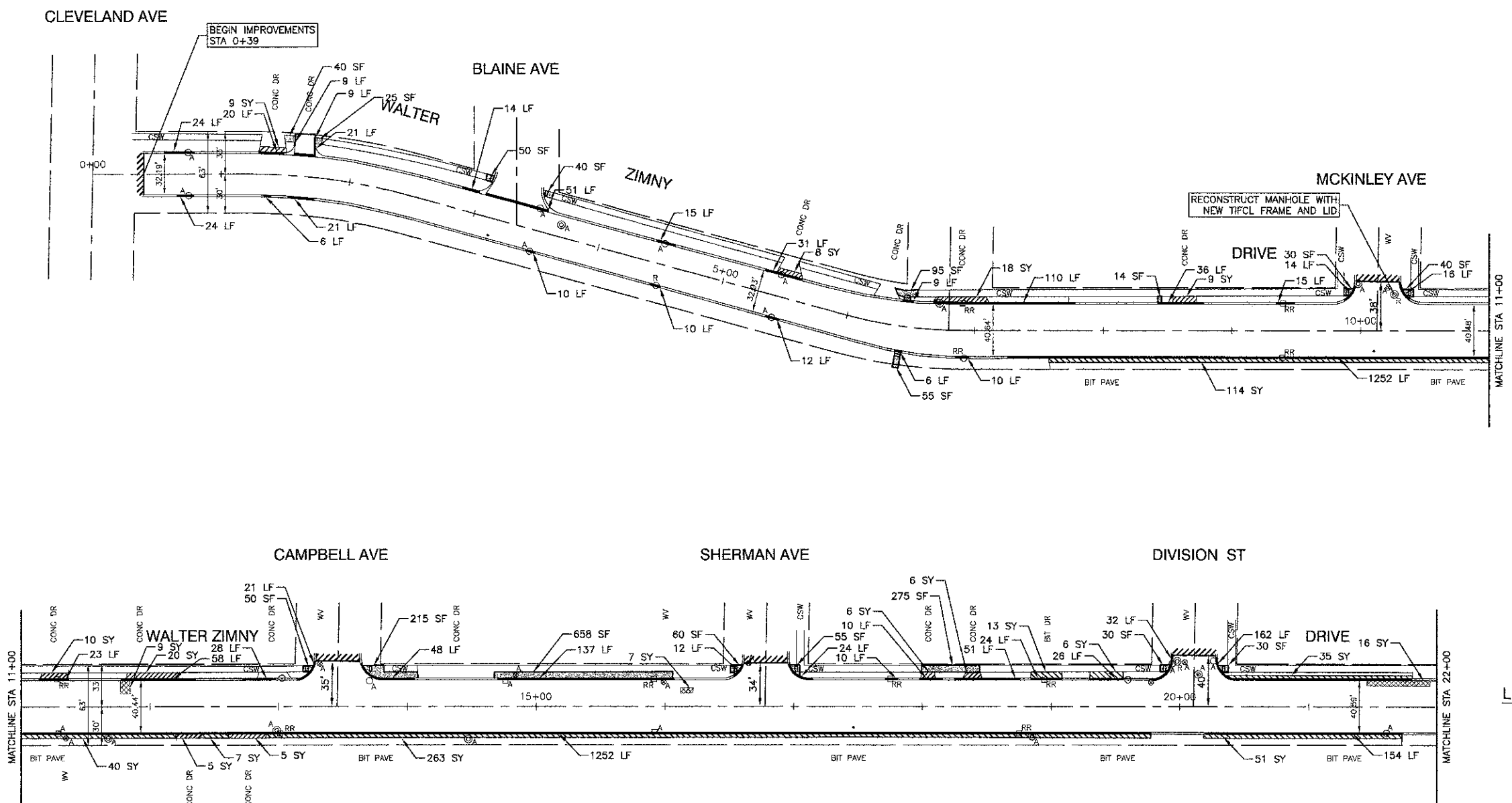
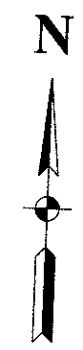
USER NAME =	DESIGNED -- LJT	REVISED --
PLOT SCALE =	CHECKED -- HLG	REVISED --
PLOT DATE = 06-20-12	DRAWN -- MED	REVISED --
	CHECKED -- ACAD	REVISED --

STATE OF ILLINOIS
DEPARTMENT OF TRANSPORTATION

WALTER ZIMNY DRIVE STP PROJECT
147TH STREET TO WESTERN AVENUE
TYPICAL CROSS SECTIONS

SCALE: NONE SHEET NO. 3 OF 12 SHEETS STA. TO STA.

F.A.U. RTE.	SECTION	COUNTY	TOTAL SHEETS	SHEET NO.
1685	12-00004-00-RS	COOK	12	3
FED. ROAD DIST. NO. 1 ILLINOIS			CONTRACT NO. 63735	
FED. AID PROJECT M-9003(894)				



DETAIL A
SEE IDOT STANDARDS FOR FURTHER DETAIL

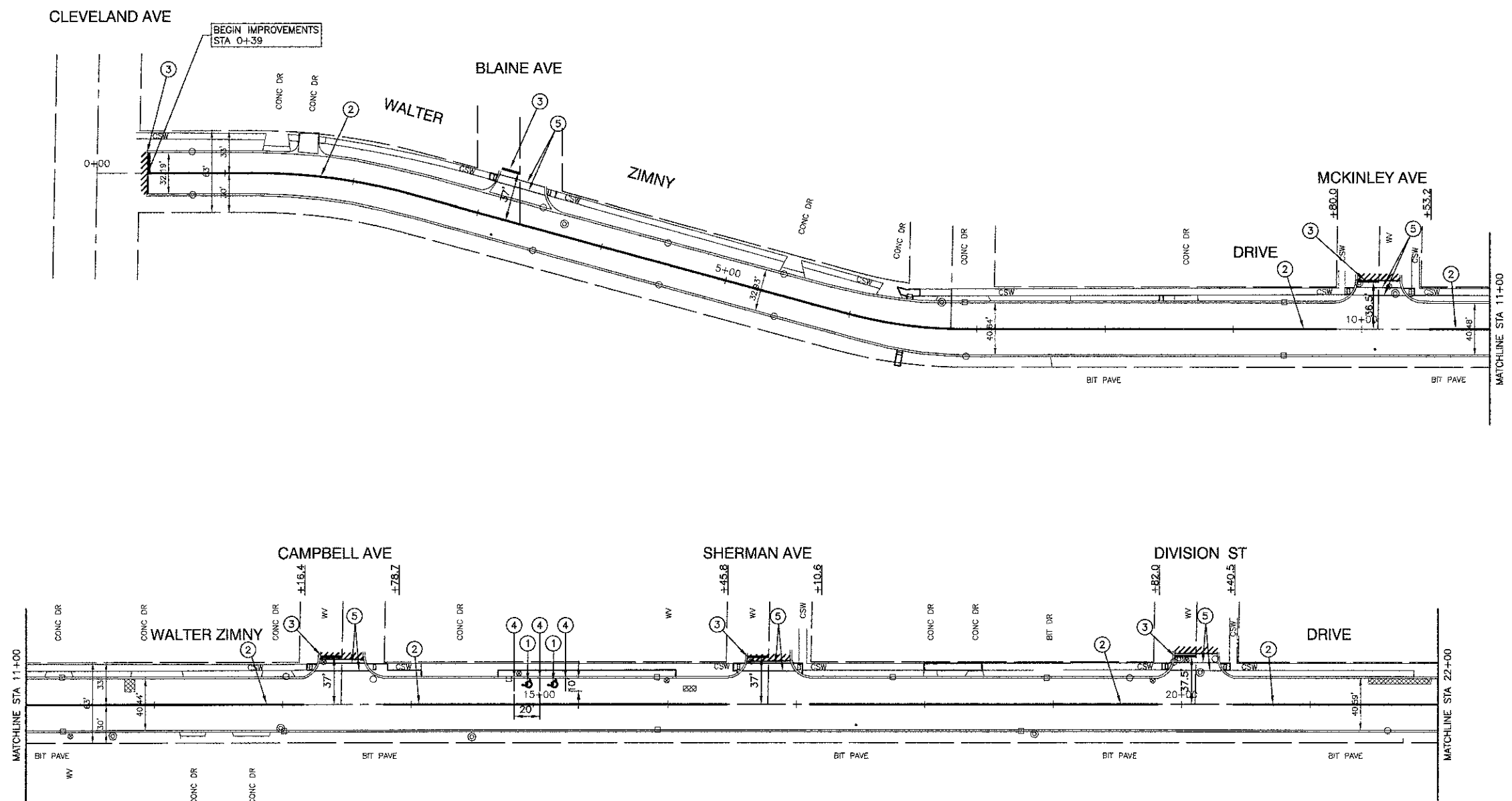
- LEGEND**
- ⊙ EXISTING MANHOLE
 - EXISTING CATCH BASIN
 - EXISTING INLET
 - ⊛ EXISTING VALVE BOX
 - ▨ CLASS D PATCH
 - ▧ HMA DRIVEWAY REMOVAL AND REPLACEMENT
 - ▩ CONCRETE DRIVEWAY REMOVAL AND REPLACEMENT
 - CONCRETE SIDEWALK REMOVAL AND REPLACEMENT
 - ▬ BUTT JOINTS
 - ▬ COMBINATION CURB AND GUTTER REMOVAL AND REPLACEMENT
 - "A" INLET TO BE ADJUSTED, CATCH BASIN TO BE ADJUSTED, MANHOLE TO BE ADJUSTED, VALVE BOX TO BE ADJUSTED, FRAME & LID TO BE ADJUSTED (SPECIAL)
 - "R" CATCH BASIN TO BE RECONSTRUCTED, MANHOLE TO BE RECONSTRUCTED,
 - "RR" CATCH BASIN TO BE REMOVED, CATCH BASIN TA T1FOL INLET TO BE REMOVED, INLET TA T1FOL
 - ▭ DETECTABLE WARNINGS (SEE DETAIL A)

FILE NAME = 11687-PLAN-01 - IDOT P01	USER NAME =	DESIGNED -- LJT	REVISED --
		CHECKED -- HLG	REVISED --
	PLOT SCALE =	DRAWN -- MED	REVISED --
	PLOT DATE = 08-20-12	CHECKED -- ACAD	REVISED --

**STATE OF ILLINOIS
DEPARTMENT OF TRANSPORTATION**

WALTER ZIMNY DRIVE STP PROJECT 147TH STREET TO WESTERN AVENUE PAVEMENT PLAN			
SCALE: 1"=50'	SHEET NO. 4	OF 12 SHEETS	STA. 0+00 TO STA. 22+00

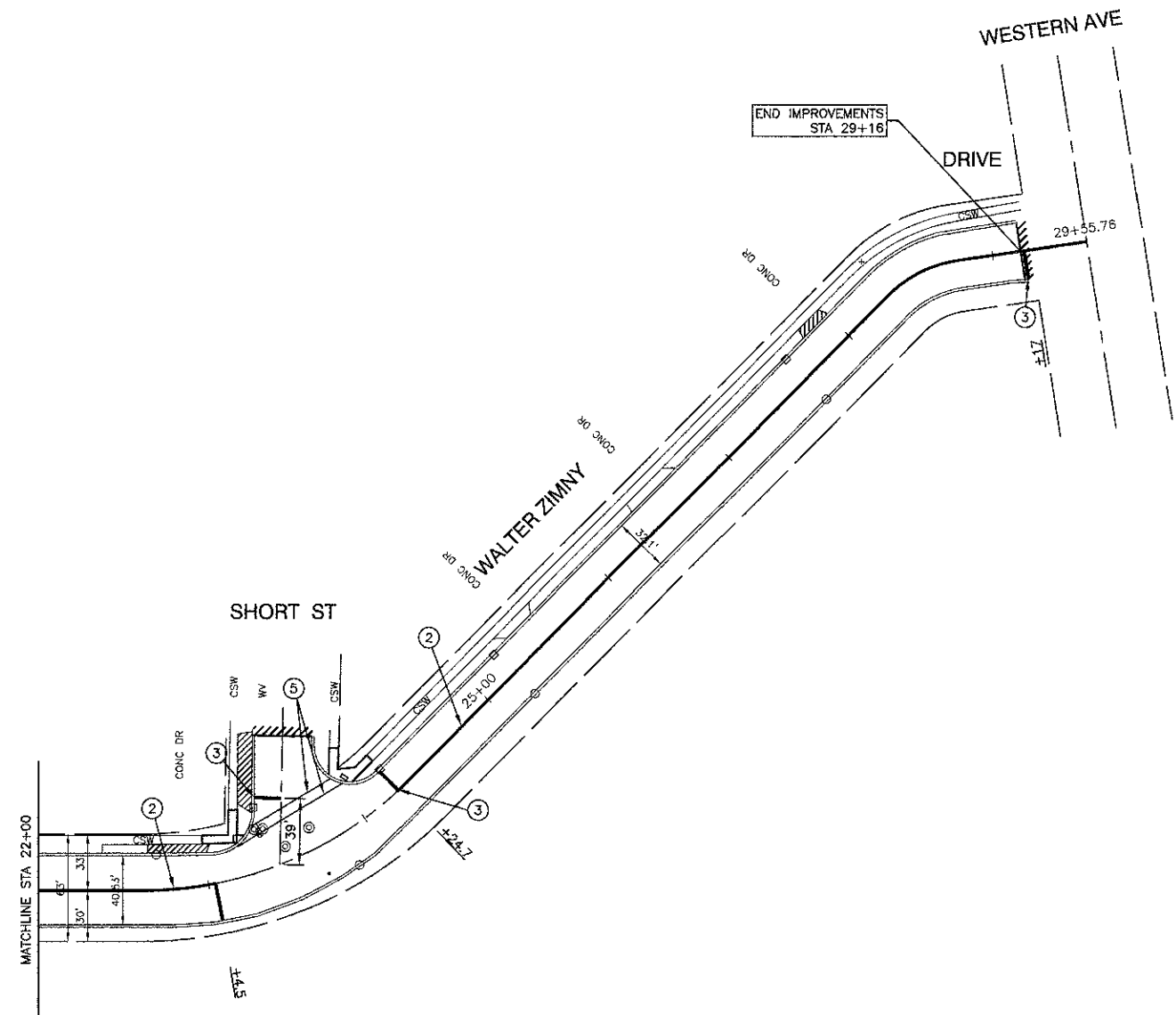
F.A.U. RTE.	SECTION	COUNTY	TOTAL SHEETS	SHEET NO.
1665	12-00004-00-RS	COOK	12	4
CONTRACT NO. 63735				
FED. ROAD DIST. NO. 1 ILLINOIS FED. AID PROJECT M-9003(994)				



PAVEMENT MARKING LEGEND

- ① THERMOPLASTIC PAVEMENT MARKING, LETTERS AND SYMBOLS
- ② THERMOPLASTIC PAVEMENT MARKING LINE 4", DOUBLE YELLOW (11" C/C)
- ③ THERMOPLASTIC PAVEMENT MARKING LINE 24", WHITE STOP BAR
- ④ THERMOPLASTIC PAVEMENT MARKING LINE 4", WHITE
- ⑤ THERMOPLASTIC PAVEMENT MARKING LINE 6", WHITE

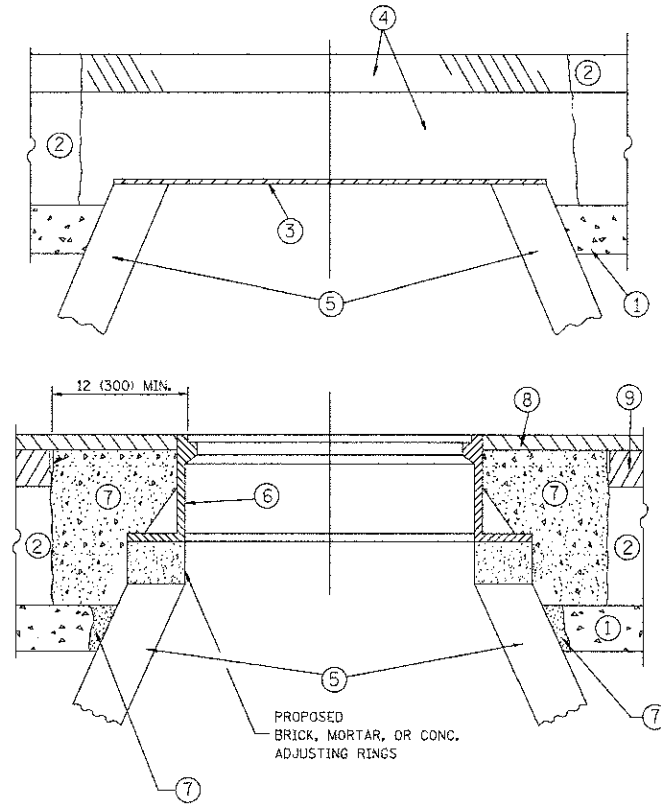
FILE NAME = 11837-PLAN-01 - IDOT P03	USER NAME =	DESIGNED — LJT	REVISED —	STATE OF ILLINOIS DEPARTMENT OF TRANSPORTATION	WALTER ZIMNY DRIVE STP PROJECT 147TH STREET TO WESTERN AVENUE PAVEMENT MARKING PLAN			F.A.U. RTE.	SECTION	COUNTY	TOTAL SHEETS	SHEET NO.
	PLOT SCALE =	CHECKED — HLG	REVISED —					1665	12-00004-00-RS	COOK	12	6
PLOT DATE = 08-20-12	DRAWN — MED	REVISED —		SCALE: 1"=50'			SHEET NO. 6 OF 12 SHEETS STA. 0+00 TO STA. 22+00			CONTRACT NO. 63735		
	CHECKED — ACAD	REVISED —					FED. ROAD DIST. NO. 1 ILLINOIS FED. AID PROJECT M-9003(994)					



PAVEMENT MARKING LEGEND

- ① THERMOPLASTIC PAVEMENT MARKING, LETTERS AND SYMBOLS
- ② THERMOPLASTIC PAVEMENT MARKING LINE 4", DOUBLE YELLOW (11" C/C)
- ③ THERMOPLASTIC PAVEMENT MARKING LINE 24", WHITE STOP BAR
- ④ THERMOPLASTIC PAVEMENT MARKING LINE 4", WHITE
- ⑤ THERMOPLASTIC PAVEMENT MARKING LINE 6", WHITE

FILE NAME = 11837-PLAN-01 - IDOT P04	USER NAME =	DESIGNED -- LJT	REVISED --	STATE OF ILLINOIS DEPARTMENT OF TRANSPORTATION	WALTER ZIMNY DRIVE STP PROJECT 147TH STREET TO WESTERN AVENUE PAVEMENT MARKING PLAN			FAU RTE.	SECTION	COUNTY	TOTAL SHEETS	SHEET NO.
	PLOT SCALE =	CHECKED -- HLG	REVISED --					168S	12-00004-00-RS	COOK	12	7
PLOT DATE = 08-20-12	DRAWN -- MED	REVISOR --	REVISIONS --	SCALE: 1"=50'			SHEET NO. 7 OF 12 SHEETS			STA. 22+00 TO STA. 29+16		
	CHECKED -- ACAD	REVISOR --	REVISIONS --				FED. ROAD DIST. NO. 1 ILLINOIS FED. AID PROJECT M-9003(994)					



NOTES:

EXISTING BROKEN FRAMES AND LIDS SHALL BE REMOVED AND DISPOSED OF BY THE CONTRACTOR AND SHALL BE REPLACED AS DIRECTED BY THE ENGINEER. REPLACEMENT FRAMES AND LIDS WILL BE PAID FOR IN ACCORDANCE WITH ARTICLE 109.04 OF THE STANDARD SPECIFICATIONS UNLESS A SEPARATE PAY ITEM HAS BEEN PROVIDED.

IF THE EXISTING LIDS ARE OPEN, THE FRAME WILL BE ADJUSTED TO THE ELEVATION OF THE MILLED PAVEMENT SURFACE PRIOR TO THE MILLING OPERATION. THE FRAME WILL NOT BE REMOVED AND COVERED BY THE METAL PLATE.

CITY OF CHICAGO CASTINGS ARE THE PROPERTY OF THE CITY AND THE CONTRACTOR SHALL NOTIFY THE CITY FOR REMOVAL AND DISPOSITION OF THE CASTINGS.

THE METAL PLATE USED TO COVER THE STRUCTURE SHALL REMAIN THE PROPERTY OF THE CONTRACTOR.

WHEN STRUCTURES ARE TO BE ADJUSTED OR RECONSTRUCTED, THE LOWERING AND RAISING OF THE FRAMES AND LIDS WILL NOT BE PAID FOR SEPARATELY BUT WILL BE INCLUDED IN THE COST OF THE CORRESPONDING PAY ITEM.

CONSTRUCTION PROCEDURES

STAGE 1 (BEFORE PAVEMENT MILLING)

- A) REMOVE A MINIMUM OF 12 (300) OF THE PAVEMENT FROM AROUND THE STRUCTURE.
- B) REMOVE THE EXISTING FRAME AND LID FROM THE STRUCTURE.
- C) COVER THE STRUCTURE OPENING WITH A 36 (900) DIAMETER METAL PLATE.
- D) BACKFILL WITH CRUSHED STONE AND A MINIMUM 1/2 (40) THICK HMA SURFACE MIX APPROVED BY THE ENGINEER.

STAGE 2 (AFTER PAVEMENT MILLING)

- A) REMOVE THE HMA SURFACE MIX AND CRUSHED STONE.
 - B) INSTALL THE FRAME AND LID; ADJUST THE FRAME TO ITS FINAL SURFACE ELEVATION.
 - C) THE SURROUNDING SPACE SHALL BE FILLED WITH CLASS PP-1* CONCRETE TO THE ELEVATION OF THE SURFACE OF THE EXISTING BASE COURSE OR THE BINDER COURSE.
- * UNLESS OTHERWISE SPECIFIED IN THE PLANS.

THE PROCEDURE EXPLAINED ABOVE SHALL CONFORM TO THE APPLICABLE PORTIONS OF SECTIONS 353, 406, 602, AND 603 OF THE STANDARD SPECIFICATIONS EXCEPT THAT THE CONTRACTOR SHALL ADJUST THE STRUCTURES TO THE FINISHED PAVEMENT ELEVATION NO MORE THAN 5 CALENDAR DAYS PRIOR TO PLACEMENT OF THE FINAL LIFT OF SURFACE UNLESS APPROVED BY THE ENGINEER.

LEGEND

- | | |
|--|-------------------------------|
| ① SUB-BASE GRANULAR MATERIAL | ⑥ FRAME AND LID (SEE NOTES) |
| ② EXISTING PAVEMENT | ⑦ CLASS PP-1* CONCRETE |
| ③ 36 (900) DIAMETER METAL PLATE | ⑧ PROPOSED HMA SURFACE COURSE |
| ④ PROPOSED CRUSHED STONE AND HMA SURFACE MIX | ⑨ PROPOSED HMA BINDER COURSE |
| ⑤ EXISTING STRUCTURE | |

LOCATION OF STRUCTURES:

THE CONTRACTOR WILL BE REQUIRED TO KEEP A RECORD OF THE LOCATIONS OF THE BURIED STRUCTURES ACCORDING TO THE STATION AND DISTANCE LEFT OR RIGHT OF THE CENTERLINE OF PAVEMENT. UPON COMPLETION OF THE WORK, THE CONTRACTOR WILL DELIVER THE RECORD TO THE ENGINEER.

BASIS OF PAYMENT:

REMOVING FRAMES AND LIDS ON DRAINAGE AND UTILITY STRUCTURES IN THE PAVEMENT PRIOR TO MILLING, AND ADJUSTING TO FINAL GRADE PRIOR TO PLACING THE SURFACE COURSE, WILL BE PAID FOR AT THE CONTRACT UNIT PRICE EACH FOR "FRAMES AND LIDS TO BE ADJUSTED (SPECIAL)."

THIS WORK WILL NOT BE PAID FOR WHEN DRAINAGE AND UTILITY STRUCTURES ARE SPECIFIED FOR PAYMENT AS STRUCTURE RECONSTRUCTION.

NEW FRAMES AND LIDS, WHEN SPECIFIED, WILL BE PAID FOR SEPARATELY.

DETAILS FOR FRAMES AND LIDS ADJUSTMENT WITH MILLING

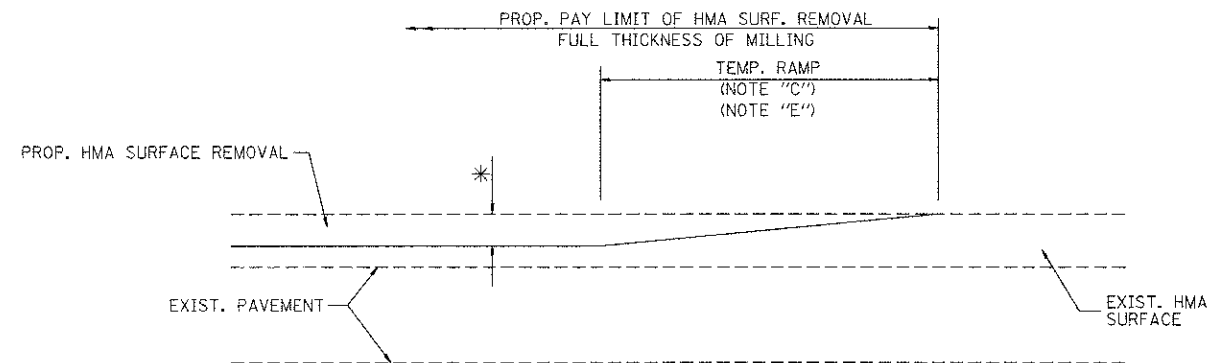
ALL DIMENSIONS ARE IN INCHES (MILLIMETERS) UNLESS OTHERWISE SHOWN

REVISIONS	
NAME	DATE
R. SHAH	10/25/94
R. SHAH	01/30/95
R. SHAH	03/10/95
A. ABBAS	03/21/97
R. WIEDEMAN	05/14/04
R. BORO	01/01/07
R. BORO	03/09/11
R. BORO	12/06/11

ILLINOIS DEPARTMENT OF TRANSPORTATION
**DETAILS FOR
FRAMES AND LIDS ADJUSTMENT
WITH MILLING**

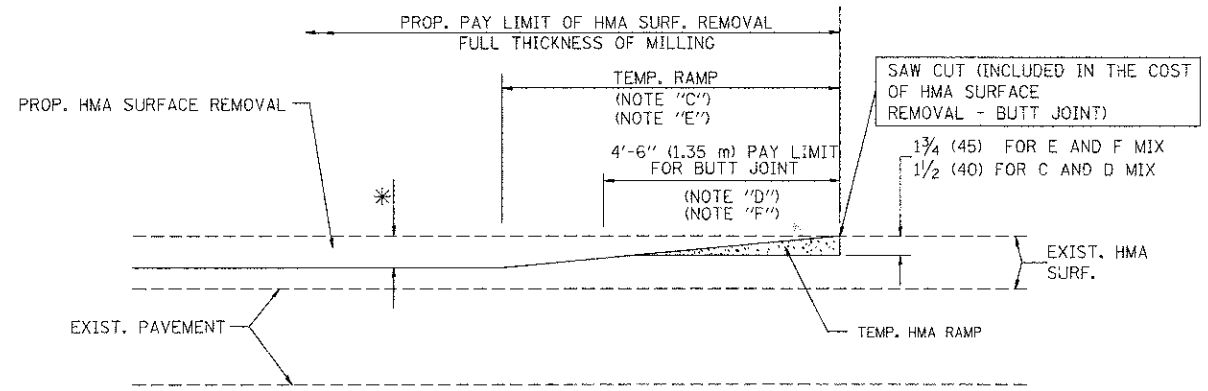
SCALE: VERT. NONE
HORIZ.

DRAWN BY
CHECKED BY



MILLED TEMPORARY RAMP
(FOR BUTT JOINT AND HMA TAPER SEE DETAIL BELOW)

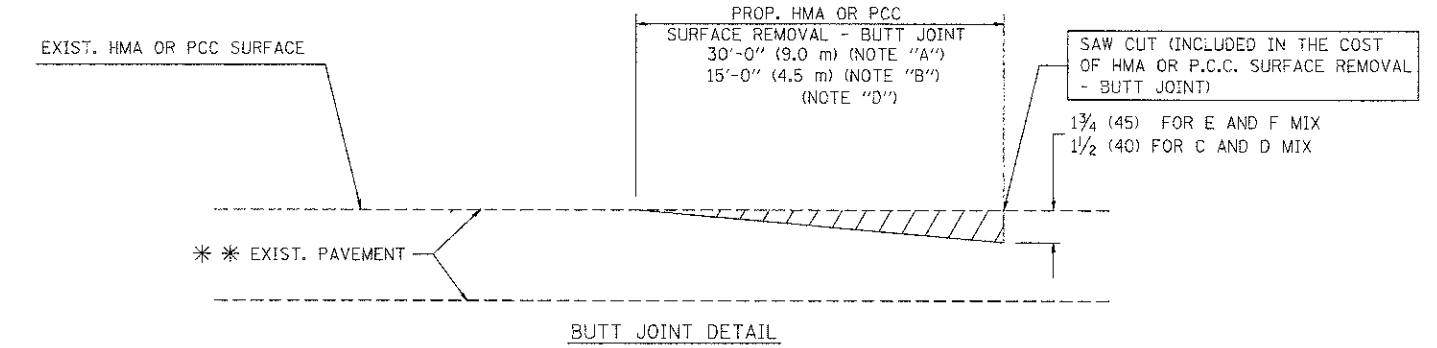
OPTION 1



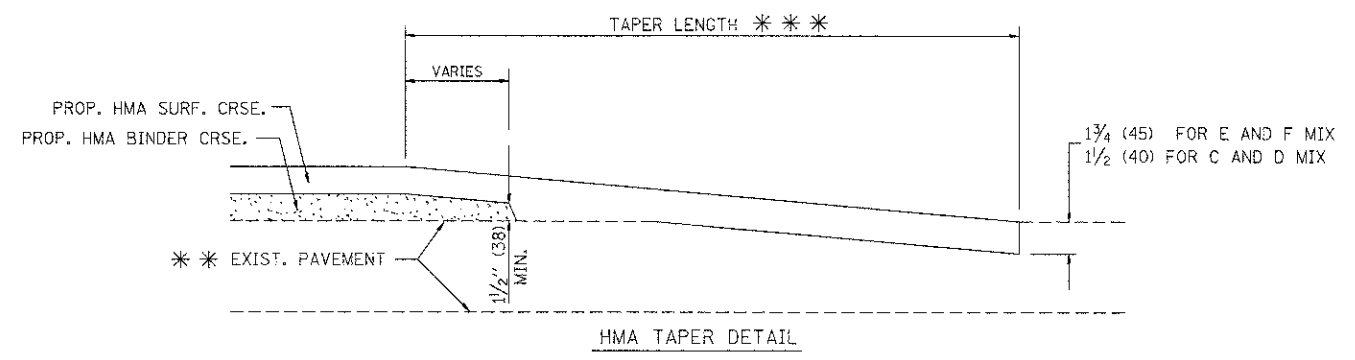
HMA CONSTRUCTED TEMPORARY RAMP
(FOR BUTT JOINT AND HMA TAPER SEE DETAIL BELOW)

OPTION 2

TYPICAL TEMPORARY RAMP



BUTT JOINT DETAIL



HMA TAPER DETAIL

TYPICAL BUTT JOINT AND HMA TAPER
FOR RESURFACING ONLY

*** PC CONCRETE, HMA OR HMA RESURFACED PAVEMENT.

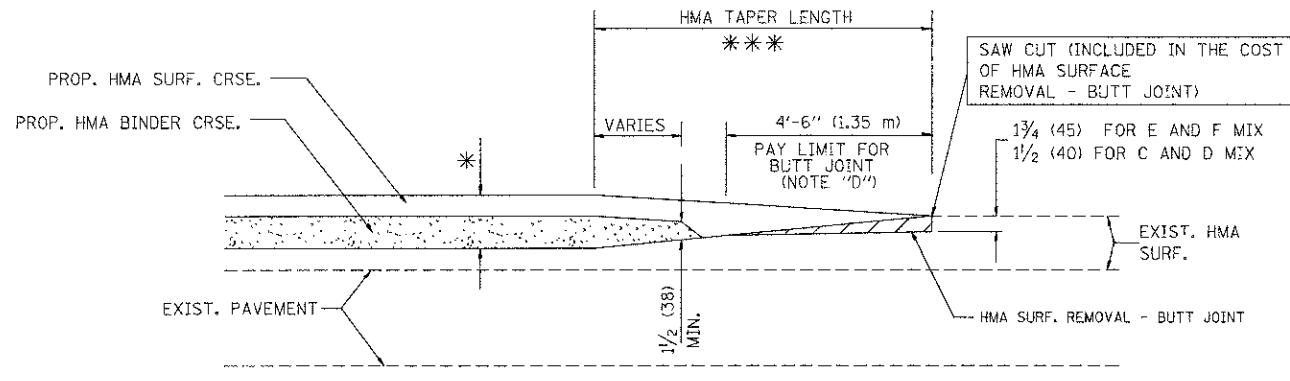
NOTES

- A: MAINLINE ROADWAYS AND MAJOR SIDE ROADS.
 - B: MINOR SIDE ROADS.
 - C: THE TEMP. RAMP SHALL BE CONSTRUCTED IMMEDIATELY UPON REMOVAL OF THE EXISTING HMA SURFACE.
 - D: THE BUTT JOINT SHALL BE CONSTRUCTED IMMEDIATELY PRIOR TO PLACING THE PROPOSED HMA COURSES.
 - E: TAPER THE TEMP. RAMP AT A RATE OF 3'-0" (900 mm) PER 1 INCH (25 mm) OF MILLING THICKNESS.
 - F: INSTALLATION AND REMOVAL OF THE 4'-6" (1.35 m) TEMP. RAMP IS INCLUDED IN COST OF HMA SURFACE REMOVAL - BUTT JOINT
 - G: SEE ARTICLE 406.08 AND 406.14 OF THE STANDARD SPECIFICATIONS FOR "HMA AND/OR PCC SURFACE REMOVAL, BUTT JOINT".
- *** SEE TYPICAL SECTIONS FOR MILLING THICKNESS.
- *** 20'-0" (6.1 m) PER 1 (25) RESURFACING (NOTE "A")
10'-0" (3.0 m) PER 1 (25) RESURFACING (NOTE "B")

BASIS OF PAYMENT:

THE BUTT JOINT WILL BE PAID FOR AT THE CONTRACT UNIT PRICE PER SQUARE YARD (SQUARE METER) FOR "HOT-MIX ASPHALT SURFACE REMOVAL - BUTT JOINT" OR FOR "PORTLAND CEMENT CONCRETE SURFACE REMOVAL - BUTT JOINT".

ALL DIMENSIONS ARE IN INCHES (MILLIMETERS) UNLESS OTHERWISE SHOWN.



BUTT JOINT AND
HMA TAPER

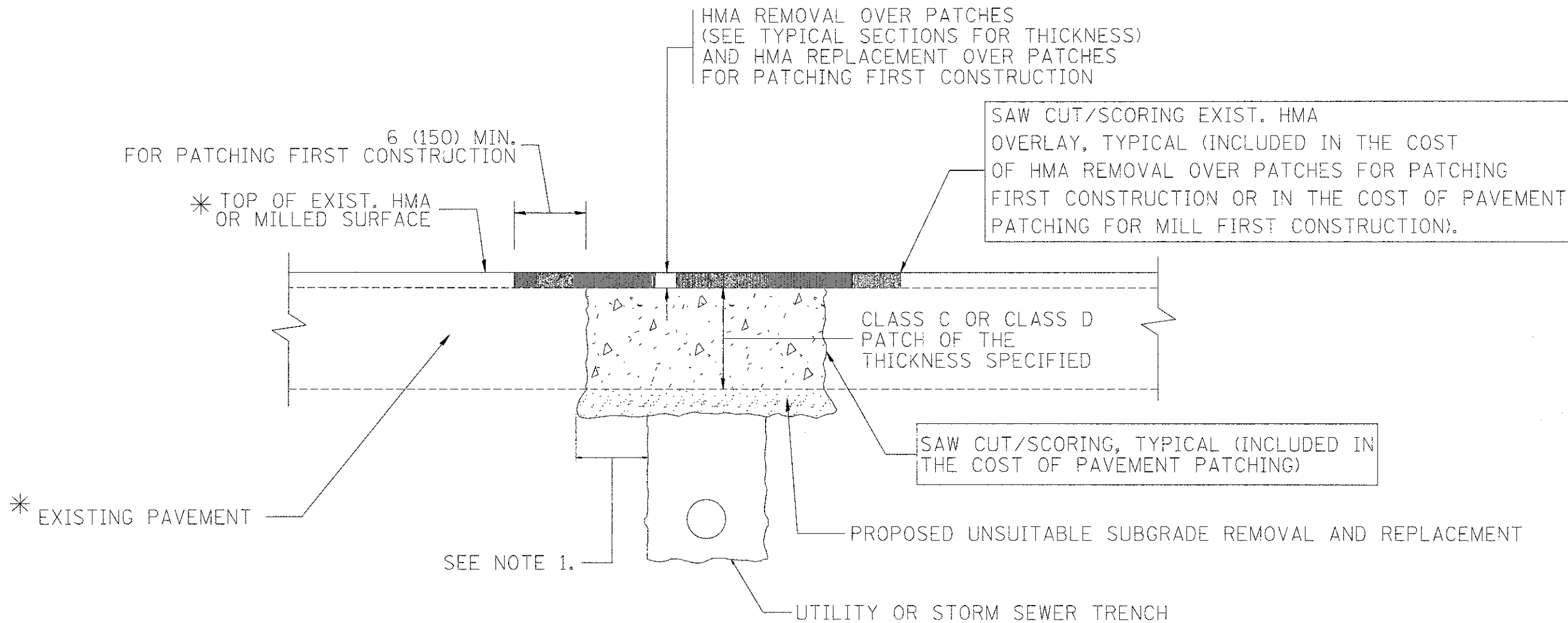
TYPICAL BUTT JOINT AND HMA TAPER
FOR MILLING AND RESURFACING

FILE NAME = W:\dstatd\22x34\bd32.dgn	USER NAME = gaglianobt	DESIGNED - M. DE YONG	REVISED - R. SHAH 10-25-94
		DRAWN -	REVISED - A. ABBAS 03-21-97
	PLOT SCALE = 80.0000' / 1"	CHECKED -	REVISED - M. GOMEZ 04-06-01
	PLOT DATE = 1/4/2008	DATE - 06-13-90	REVISED - R. BORO 01-01-07

STATE OF ILLINOIS
DEPARTMENT OF TRANSPORTATION

DISTRICT ONE BUTT JOINT AND HMA TAPER DETAILS			
SCALE: NONE	SHEET NO. 9	OF 12 SHEETS	STA. TO STA.

F.A.U. RATE: 1665	SECTION: 12-00004-00-RS	COUNTY: COOK	TOTAL SHEETS: 12	SHEET NO.: 9
BD400-05 BD32		CONTRACT NO. 63735		
FED. ROAD DIST. NO. 1 ILLINOIS FED. AID PROJECT M-9003(994)				



* SEE TYPICAL SECTIONS FOR THICKNESS AND MATERIALS

NOTES:

1. THE WIDTH OF THE FULL DEPTH PATCH OVER A TRENCH SHALL BE 12 (300) WIDER ON EACH SIDE OF THE TRENCH.
2. FOR METHOD OF MEASUREMENT AND BASIS OF PAYMENT, SEE RECURRING SPECIAL PROVISION "PATCHING WITH HOT-MIX ASPHALT OVERLAY REMOVAL".

SEQUENCE OF CONSTRUCTION (PATCHING FIRST)

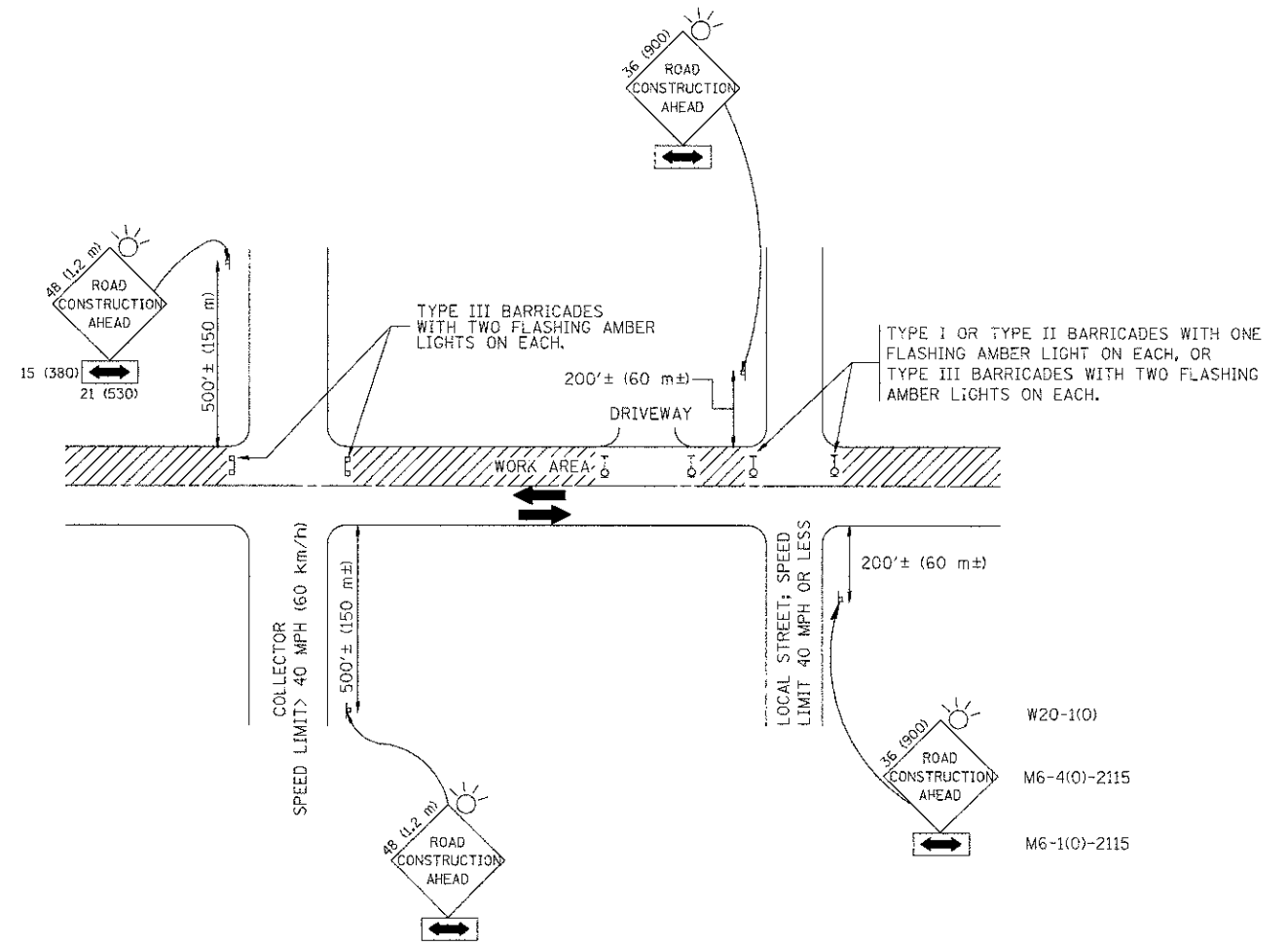
1. REMOVE THE EXISTING HMA MATERIAL OVER THE AREA TO BE PATCHED.
2. REMOVE AND REPLACE WITH CLASS C OR D PATCH.
3. REPLACE HMA MATERIAL OVER THE AREA TO BE PATCHED.

SEQUENCE OF CONSTRUCTION (MILLING FIRST)

1. MILL HMA FIRST IF THERE IS AT LEAST 4 1/2 INCHES OR MORE OF HMA MATERIAL ON TOP OF THE EXISTING PAVEMENT OR IF THE PAVEMENT IS FULL DEPTH HMA. A MINIMUM OF 2 INCHES OF HMA MATERIAL SHALL BE IN PLACE AFTER MILLING.
2. REMOVE AND REPLACE WITH FULL DEPTH CLASS D PATCHES TO TOP OF MILLED SURFACE.

ALL DIMENSIONS ARE IN INCHES (MILLIMETERS) UNLESS OTHERWISE SHOWN.

FILE NAME = c:\projects\d22x34\bd22.dgn	USER NAME = bawerdl	DESIGNED - R. SHAH	REVISED - A. ABBAS 04-27-98	STATE OF ILLINOIS DEPARTMENT OF TRANSPORTATION	DISTRICT ONE PAVEMENT PATCHING FOR HMA SURFACED PAVEMENT			FAU	SECTION	COUNTY	TOTAL	SHEET
		DRAWN -	REVISED - R. BORO 01-01-07					1665	12-00004-00-RS	COOK	12	10
	PLOT SCALE = 50.000' / IN.	CHECKED -	REVISED - R. BORO 09-04-07					BD400-04 (BD-22)			CONTRACT NO. 63735	
PLOT DATE = 10/27/2009	DATE - 10-25-94	REVISED - K. ENG 10-27-08	SCALE: NONE	SHEET NO. 10	OF 12 SHEETS	STA.	TO STA.	FED. ROAD DIST. NO. 1	ILLINOIS	FED. AID PROJECT M-9003(994)		



TRAFFIC CONTROL AND PROTECTION FOR SIDE ROADS, INTERSECTIONS, AND DRIVEWAYS

NOTES:

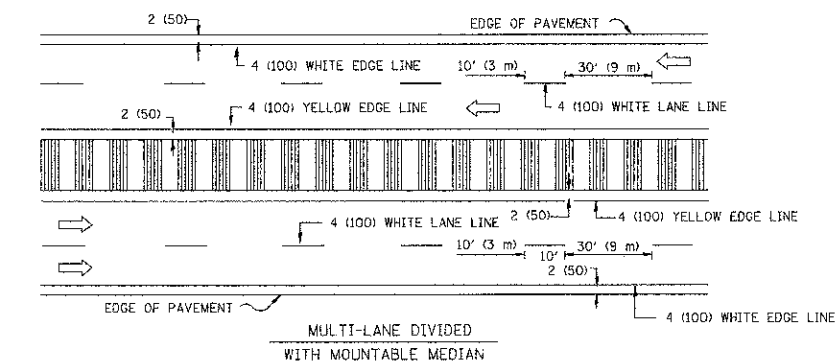
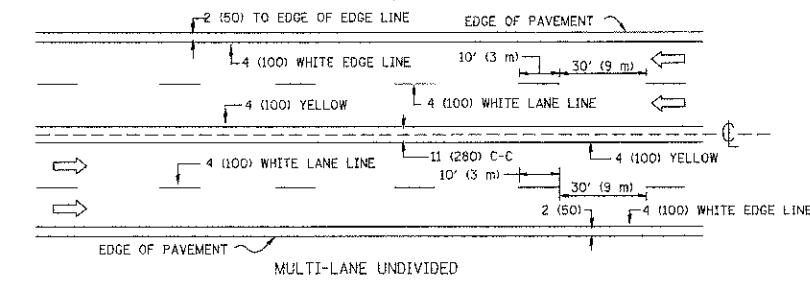
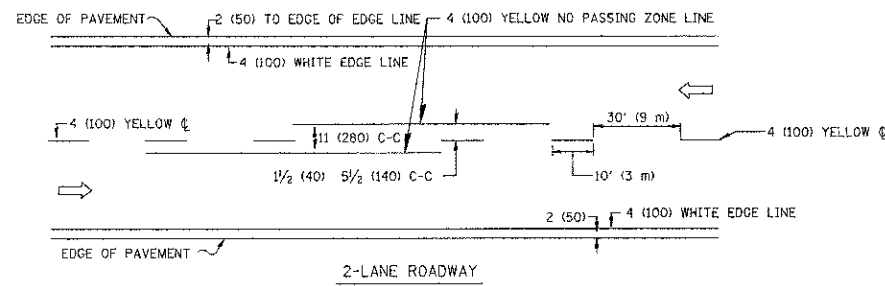
- A. FOR NO LANE RESTRICTION ON THE SIDE ROAD OR DRIVEWAYS
 1. SIDE ROAD WITH A SPEED LIMIT OF 40 MPH (60 km/h) OR LESS AS SHOWN ON THE DRAWING AND AS DIRECTED BY THE ENGINEER:
 - a) ONE **ROAD CONSTRUCTION AHEAD** SIGN 36 x 36 (900x900) WITH A FLASHER AND FLAG MOUNTED ON IT APPROXIMATELY 200' (60 m) IN ADVANCE OF THE MAIN ROUTE.
 - b) THE CLOSED PORTION OF THE MAIN ROUTE SHALL BE PROTECTED BY BLOCKING WITH TYPE I, TYPE II OR TYPE III BARRICADES, 1/3 OF THE CROSS SECTION OF THE CLOSED PORTION.
 2. SIDE ROAD WITH A SPEED LIMIT GREATER THAN 40 MPH (60 km/h) AS SHOWN ON THE DRAWING AND AS DIRECTED BY THE ENGINEER:
 - a) ONE **ROAD CONSTRUCTION AHEAD** SIGN 48 x 48 (1.2 m x 1.2 m) WITH A FLASHER MOUNTED ON IT APPROXIMATELY 500' (150 m) IN ADVANCE OF THE MAIN ROUTE.
 - b) THE CLOSED PORTION OF THE MAIN ROUTE SHALL BE PROTECTED BY BLOCKING WITH TYPE III BARRICADES, 1/2 OF THE CROSS SECTION OF THE CLOSED PORTION.
 3. WHEN THE SIDE ROAD LIES BETWEEN THE BEGINNING OF THE MAINLINE SIGNING AND THE WORK ZONE, A SINGLE HEADED ARROW (M6-1) SHALL BE USED IN LIEU OF THE DOUBLE HEADED ARROW (M6-4).
- B. FOR A LANE CLOSURE ON A SIDE ROAD OR DRIVEWAY:

USE APPLICABLE PORTIONS OF THE TYPICAL APPLICATION OF TRAFFIC CONTROL DEVICES (STD. 701501, STD. 701606 OR THE APPROPRIATE STANDARD). THE SPACING OF SIGNS AND BARRICADES SHALL BE ADJUSTED FOR FIELD CONDITIONS AS DIRECTED BY THE ENGINEER. THE DIRECTIONAL ARROW SHALL BE COVERED OR REMOVED WHEN NO LONGER CONSISTENT WITH THE SIDE ROAD LANE CLOSURE.

 - C. ADVANCE WARNING SIGNS ARE TO BE OMITTED ON DRIVEWAY UNLESS OTHERWISE NOTED.
 - D. THE TRAFFIC CONTROL AND PROTECTION FOR SIDE ROADS, INTERSECTIONS, AND DRIVEWAYS SHALL BE INCIDENTAL TO THE COST OF SPECIFIED TRAFFIC CONTROL STANDARDS OR ITEMS.

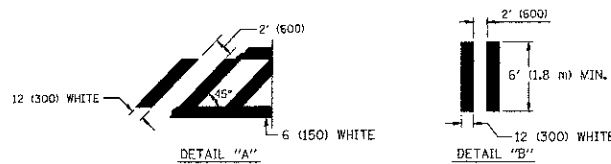
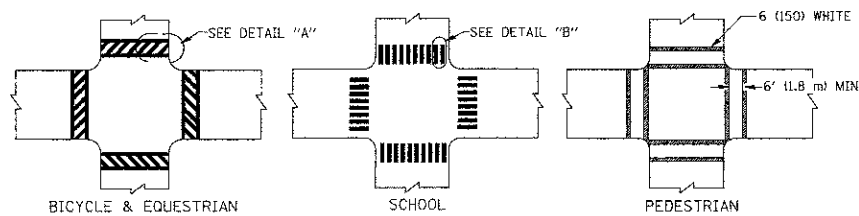
All dimensions are in millimeters (Inches) unless otherwise shown.

FILE NAME = W:\diststd\22x34\to10.dgn	USER NAME = geglennob	DESIGNED - LHA	REVISED - J. OBERLE 10-18-95	STATE OF ILLINOIS DEPARTMENT OF TRANSPORTATION	DISTRICT ONE TRAFFIC CONTROL AND PROTECTION FOR SIDE ROADS, INTERSECTIONS, AND DRIVEWAYS			F.A.U. RTE.	SECTION	COUNTY	TOTAL SHEETS	SHEET NO.
	PLOT SCALE = 50.0000 "/ IN.	CHECKED -	REVISED - A. HOUSEH 03-06-96		1665	12-00004-00-RS	COOK	12	11			
	PLOT DATE = 1/4/2008	DATE - 06-89	REVISED - T. RAMMACHER 01-06-00		TC-10			CONTRACT NO. 63735				
				SCALE: NONE	SHEET NO. 11 OF 12 SHEETS	STA. TO STA.	FED. ROAD DIST. NO. 1	ILLINOIS	FED. AID PROJECT M-9003(894)			

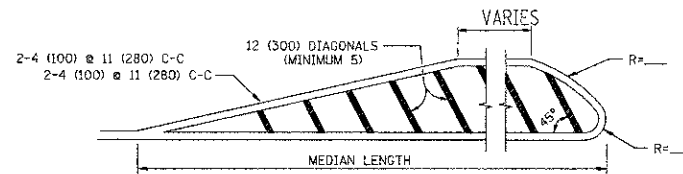
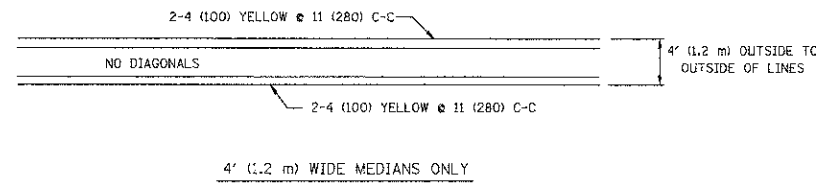


NOTE: MEDIANS WITH BARRIER CURBS DO NOT REQUIRE AN EDGE LINE

TYPICAL LANE AND EDGE LINE MARKING



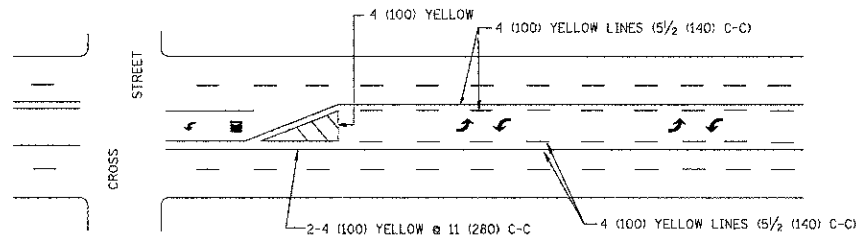
TYPICAL CROSSWALK MARKING



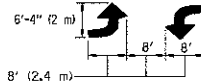
FOR MEDIAN LENGTHS WHERE DIAGONAL SPACING CANNOT BE ATTAINED, USE 5 (FIVE) EQUALLY SPACED DIAGONAL LINES.

DIAGONAL LINE SPACING: 50' (15 m) C-C (LESS THAN 30MPH (50 km/h))
75' (25 m) C-C 30MPH (50 km/h) TO 45MPH (70 km/h)
150' (45 m) C-C (MORE THAN 45MPH (70 km/h))

MEDIANS OVER 4' (1.2 m) WIDE

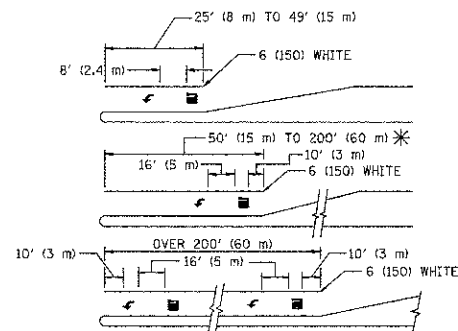


A MINIMUM OF TWO PAIRS OF TURN ARROWS SHALL BE USED, WHITE IN COLOR. ADDITIONAL PAIRS SHALL BE PLACED AT 200' (60 m) TO 300' (90 m) INTERVALS.



MEDIAN WITH TWO-WAY LEFT TURN LANE

TYPICAL PAINTED MEDIAN MARKING

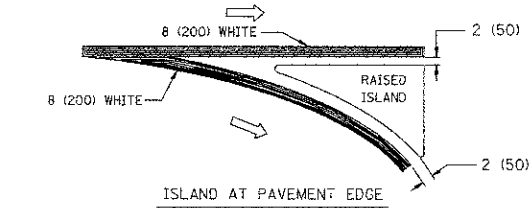
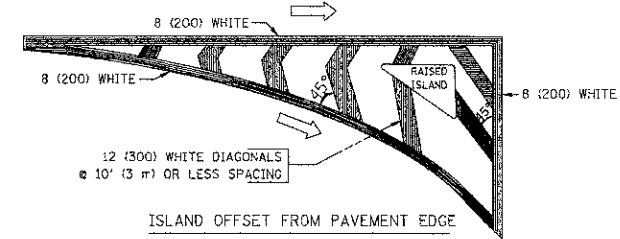


FULL SIZE LETTERS 8' (2.4 m) AND ARROWS SHALL BE USED.
AREA = 15.6 SQ. FT. (1.5 m²) ONLY AREA = 20.8 SQ. FT. (1.9 m²)

* TURN LANES IN EXCESS OF 400' (120 m) IN LENGTH MAY HAVE AN ADDITIONAL SET OF ARROW - "ONLY" INSTALLED MIDWAY BETWEEN THE OTHER TWO SETS OF ARROW - "ONLY".

TYPICAL LEFT (OR RIGHT) TURN LANE

TYPICAL TURN LANE MARKING



TYPICAL ISLAND MARKING

TYPE OF MARKING	WIDTH OF LINE	PATTERN	COLOR	SPACING / REMARKS
CENTERLINE ON 2 LANE PAVEMENT	4 (100)	SKIP-DASH	YELLOW	10' (3 m) LINE WITH 30' (9 m) SPACE
CENTERLINE ON MULTI-LANE UNDIVIDED PAVEMENT	2 @ 4 (100)	SOLID	YELLOW	11 (280) C-C
NO PASSING ZONE LINES: FOR ONE DIRECTION FOR BOTH DIRECTIONS	4 (100) 2 @ 4 (100)	SOLID SOLID	YELLOW YELLOW	5/2 (140) C-C FROM SKIP-DASH CENTERLINE 11 (280) C-C OMIT SKIP-DASH CENTERLINE BETWEEN
LANE LINES	4 (100) 5 (125) ON FREEWAYS	SKIP-DASH SKIP-DASH	WHITE WHITE	10' (3 m) LINE WITH 30' (9 m) SPACE
DOTTED LINES (EXTENSIONS OF CENTER, LANE OR TURN LANE MARKINGS)	SAME AS LINE BEING EXTENDED	SKIP-DASH	SAME AS LINE BEING EXTENDED	2' (600) LINE WITH 6' (1.8 m) SPACE
EDGE LINES	4 (100)	SOLID	YELLOW-LEFT WHITE-RIGHT	OUTLINE MOUNTABLE MEDIANS IN YELLOW; EDGE LINES ARE NOT USED NEXT TO BARRIER CURB
TURN LANE MARKINGS	6 (150) LINE; FULL SIZE LETTERS & SYMBOLS (8' (2.4m))	SOLID	WHITE	SEE TYPICAL TURN LANE MARKING DETAIL
TWO WAY LEFT TURN MARKING	2 @ 4 (100) EACH DIRECTION 8' (2.4m) LEFT ARROW	SKIP-DASH AND SOLID IN PAIRS	YELLOW WHITE	10' (3 m) LINE WITH 30' (9 m) SPACE FOR SKIP-DASH; 5/2 (140) C-C BETWEEN SOLID LINE AND SKIP-DASH LINE SEE TYPICAL TWO-WAY LEFT TURN MARKING DETAIL
CROSSWALK LINES (PEDESTRIAN) A. DIAGONALS (BIKE & EQUESTRIAN) B. LONGITUDINAL BARS (SCHOOL)	2 @ 6 (150) 12 (300) @ 45° 12 (300) @ 90°	SOLID SOLID SOLID	WHITE WHITE WHITE	NOT LESS THAN 6' (1.8 m) APART 2' (600) APART 2' (600) APART SEE TYPICAL CROSSWALK MARKING DETAILS.
STOP LINES	24 (600)	SOLID	WHITE	PLACE 4' (1.2 m) IN ADVANCE OF AND PARALLEL TO CROSSWALK, IF PRESENT. OTHERWISE, PLACE AT DESIRED STOPPING POINT, PARALLEL TO CROSSROAD CENTERLINE, WHERE POSSIBLE
PAINTED MEDIANS	2 @ 4 (100) WITH 12 (300) DIAGONALS @ 45° NO DIAGONALS USED FOR 4' (1.2 m) WIDE MEDIANS	SOLID	YELLOW: TWO WAY TRAFFIC WHITE: ONE WAY TRAFFIC	11 (280) C-C FOR THE DOUBLE LINE SEE TYPICAL PAINTED MEDIAN MARKING.
GORE MARKING AND CHANNELIZING LINES	8 (200) WITH 12 (300) DIAGONALS @ 45°	SOLID	WHITE	DIAGONALS: 15' (4.5 m) C-C (LESS THAN 30MPH (50 km/h)) 20' (6 m) C-C 30MPH (50 km/h) TO 45MPH (70 km/h) 30' (9 m) C-C (OVER 45MPH (70 km/h))
RAILROAD CROSSING	24 (600) TRANSVERSE LINES; "RR" 15' 6" (4.8 m) LETTERS; 16 (400) LINE FOR "X"	SOLID	WHITE	SEE STATE STANDARD 780001 AREA OF "RR": 3.6 SQ. FT. (0.33 m ²) EACH "X": 54.0 SQ. FT. (5.0 m ²)
SHOULDER DIAGONALS	12 (300) @ 45°	SOLID	WHITE - RIGHT YELLOW - LEFT	50' (15 m) C-C (LESS THAN 30MPH (50 km/h)) 75' (25 m) C-C (30 MPH (50 km/h) TO 45MPH (70 km/h)) 150' (45 m) C-C (OVER 45MPH (70 km/h))

FOR FURTHER DETAILS ON PAVEMENT MARKING REFER TO STANDARD SPECIFICATIONS FOR ROAD AND BRIDGE CONSTRUCTION AND STATE STANDARD 780001.

All dimensions are in inches (millimeters) unless otherwise shown.

FILE NAME =	USER NAME = drivakosgn	DESIGNED - EVERS	REVISED - T. RAMMACHER 10-27-94
c:\pw\work\pav\dot\drivakosgn\d0108315\to3.dgn		DRAWN -	REVISED - C. JUCIUS 09-09-09
	PLOT SCALE = 50.000 ' / IN.	CHECKED -	REVISED -
	PLDT DATE = 9/9/2009	DATE - 03-19-90	REVISED -

STATE OF ILLINOIS
DEPARTMENT OF TRANSPORTATION

DISTRICT ONE
TYPICAL PAVEMENT MARKINGS

SCALE: NONE	SHEET NO. 12 OF 12 SHEETS	STA. TO STA.	F.A.U. RTE. 1665	SECTION 12-00004-00-RS	COUNTY COOK	TOTAL SHEETS 12	SHEET NO. 12
			CONTRACT NO. 63735				
			FED. ROAD DIST. NO. 1 ILLINOIS		FED. AID PROJECT M-9003(994)		