

COPYRIGHT © 2011 BY BAXTER & WOODMAN, INC.  
 ALL RIGHTS RESERVED. NO PART OF THIS DOCUMENT MAY BE REPRODUCED OR TRANSMITTED IN ANY FORM OR BY ANY MEANS, ELECTRONIC OR MECHANICAL, INCLUDING PHOTOCOPYING, RECORDING, OR BY ANY INFORMATION STORAGE AND RETRIEVAL SYSTEM.  
 DATE: 8/10/2012 9:27:55 AM  
 FILE: I:\CADD\Drawings\dwg\00751-5L-det-016-light

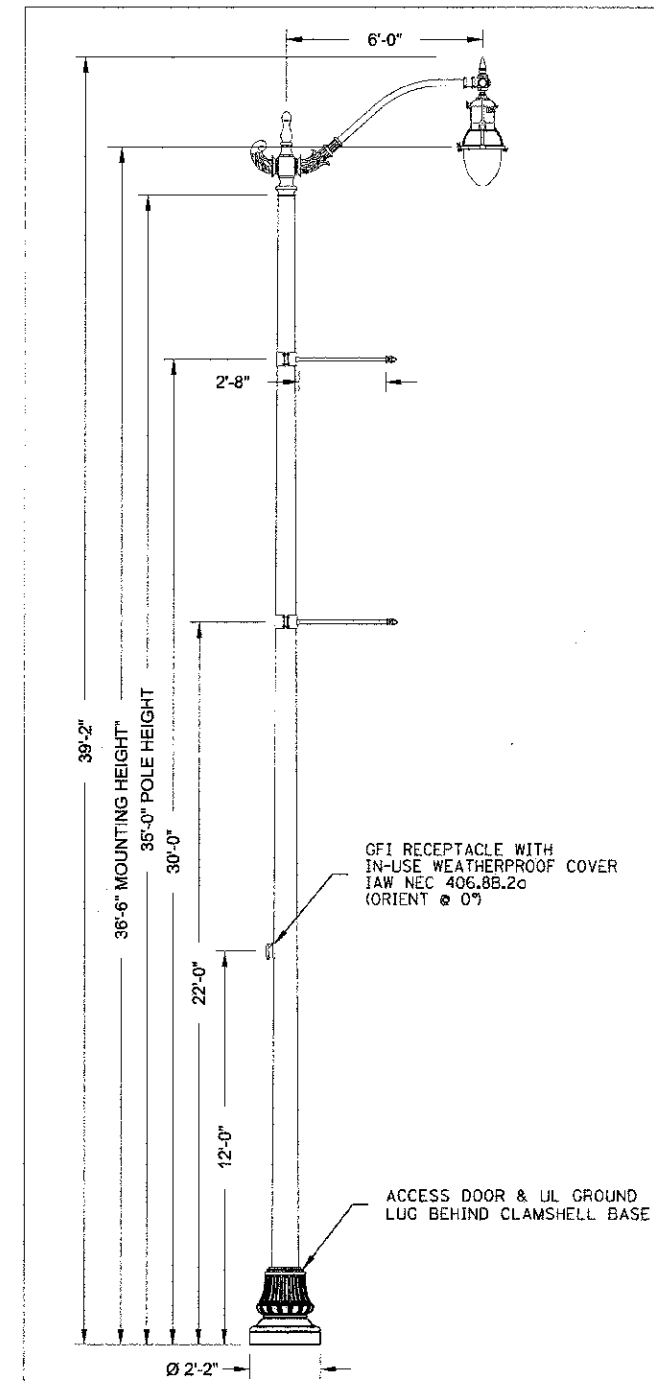


DESIGNED - MWH	REVISED - 8-3-12 PER VILLAGE
DRAWN - MAC	REVISED -
CHECKED - GSW	REVISED -
DATE - 5-14-12	FILE - 100751-5L-det-016-light

**VILLAGE OF SKOKIE, ILLINOIS**  
**F.A.U. ROUTE 1332 E. OAKTON STREET**  
**FROM F.A.P. 350 U.S. ROUTE 41 (SKOKIE BOULEVARD) TO LOWELL AVENUE**  
**STREETSCAPE IMPROVEMENTS**

<b>STREET LIGHTING DETAILS</b>	
SCALE:	STA. TO STA.

F.A.U. RTE. 1332	SECTION 11-00286-00-LS	COUNTY COOK	TOTAL SHEETS 29	SHEET NO. 22
FED. ROAD DIST. NO. 1 (ILLINOIS)		CONTRACT NO. 63737		
FED. AID PROJECT		TF-0001889		



### Specifications

**POLE DESCRIPTION**  
 The aluminum post shall be one piece in construction and complete assembly will compose of a Ø26" clamshell base, mounted around the base, and a West Liberty series single roadway arm mounted atop the post. Two 3/2" clamp on banner arms and a duplex receptacle with small white in-use weatherproof cover will mount at specified heights and orientations.

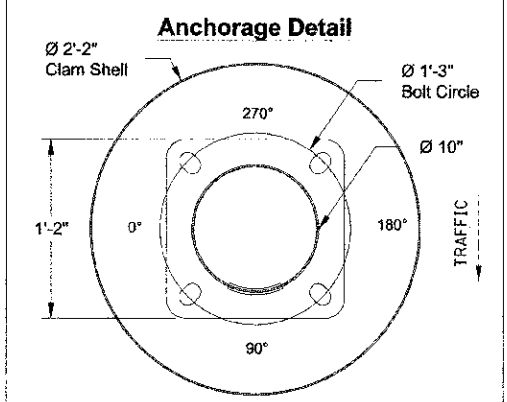
**MATERIALS**  
 Welds conform to applicable AWS structural welding code. Pole shaft is one piece, 6063 aluminum alloy, heat treated to a T6 temper. Pole base shall be 356 or A356 aluminum alloy, heat treated to a T6 temper after welding. A 2" x 4" minimum hand hole (covers and fasteners included) will mount 18" above the base of the post and will be concealed by the cast aluminum clamshell base.

**DIMENSIONS**  
 The post will be 35'-0" in height with a 14" square base plate. The post shaft shall be .312" thick with a Ø10" shaft base. The base plate will accept Ø1.25" anchor bolts on a Ø15" bolt circle (3.25" bolt projection). The roadway arm will span 72" from shaft center to luminaire center.

**LUMINAIRE DESCRIPTION**  
 - Memphis Utility Series Fixture  
 - 150 Watt High Pressure Sodium (Mogul), Multivolt (Prewired 240V)  
 - Teardrop Type IV Glass Optics (IES Classification SC-3)  
 - Black Finish  
 - Protected Starter  
 For complete specifications see LUM\_MPU.

#### Accessory Mounting Detail

	Orientation	Height
FGIUS-SBKH (HANDHOLE)	90°	12'-0"
Clamp-On		Shaft Ø
BA32A/1/CO-CA/BKH	180°	6.5"
BA32A/1/CO-CA/BKH	180°	7.5"



**Catalog #'s:**  
 (AOL-24615)RTA35G1C4-BKH - WLC72/1-CA/BKH - C26CSB-CA/BKH - (2)BA32A/1/CO-CA/BKH - HAP-FGIUS-SBKH - WLLF/200-SCA/BK - MPU150HPMCB4 PS

### ORNAMENTAL STREET LIGHT UNIT, COMPLETE

NOTE: POLES SHALL BE MANUFACTURED TO MEET LATEST AASHTO REQUIREMENTS WITH ACCESSORIES SHOWN.

\*LICENSE EXPIRES 11-30-2013\*

