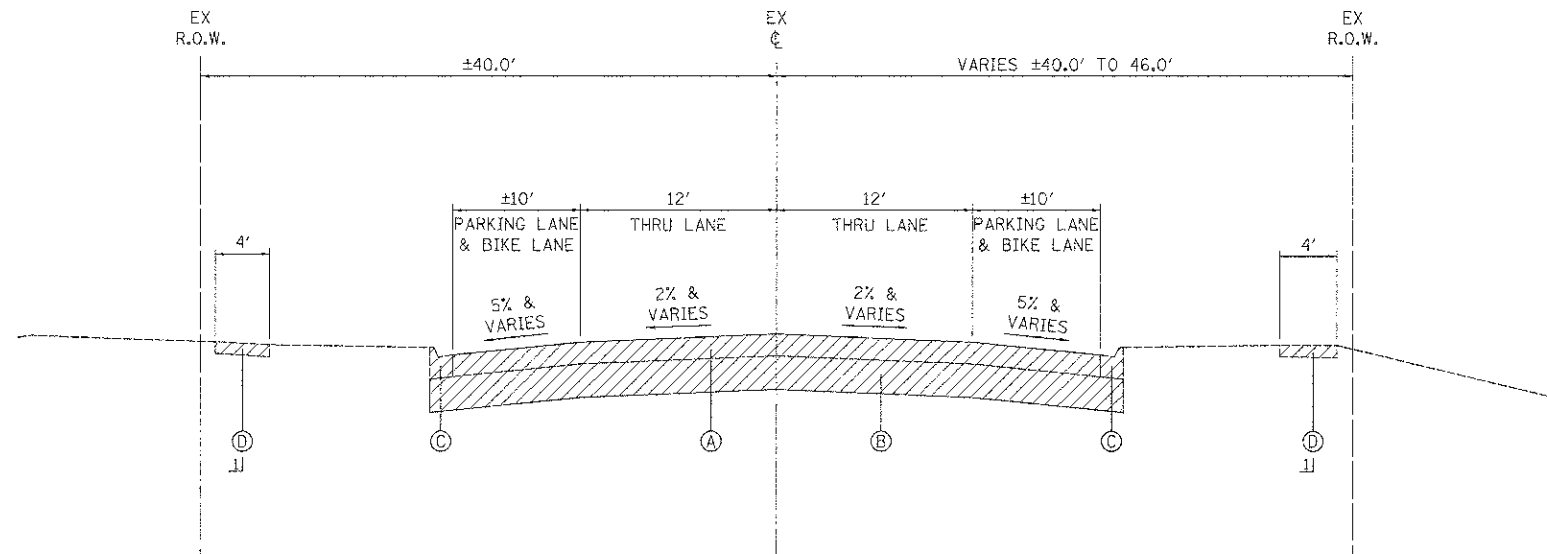


DATE	
BY	
SURVEYED	
PLOTTED	
CHECKED	
DATE	
NOTE BOOK NO.	
FILE NAME	



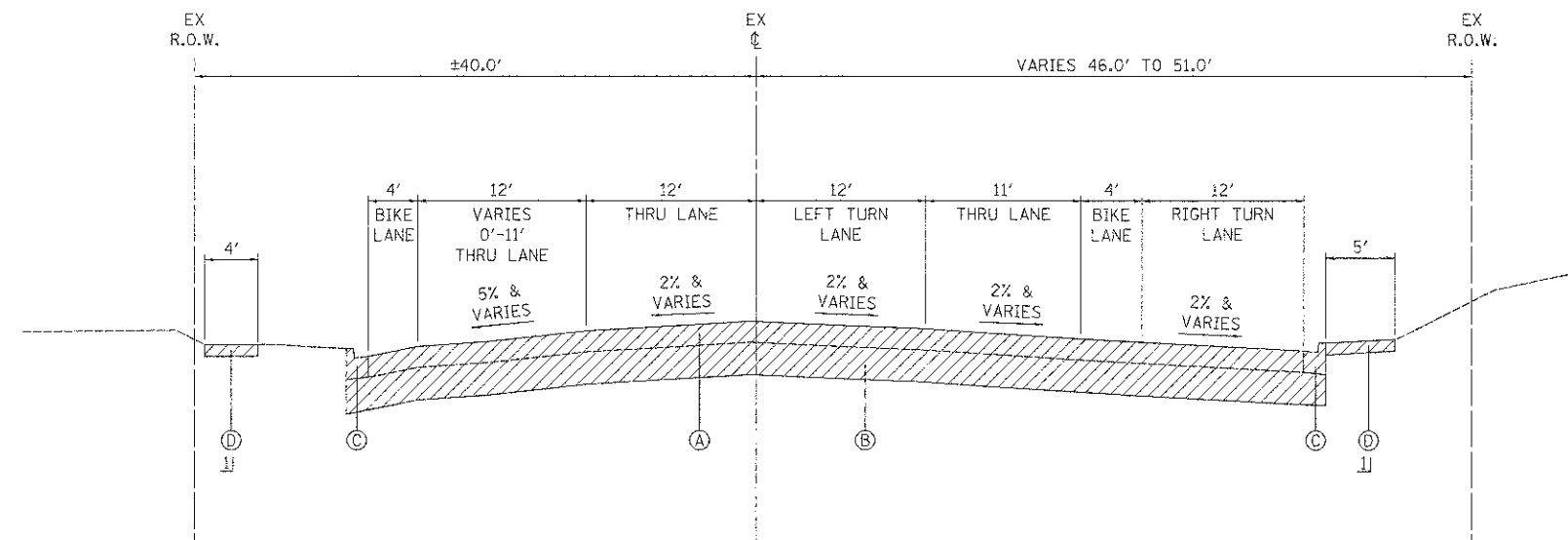
EXISTING TYPICAL SECTION
WALNUT LANE
STATION 100+15.76 TO STATION 123+40

- LEGEND**
- (A) EXISTING HOT-MIX ASPHALT PAVEMENT, THICKNESS VARIES FROM 6" TO 9" (SEE GEOTECHNICAL EXPLORATION AND ANALYSIS PREPARED BY MIDLAND STANDARD ENGINEERING & TESTING, INC, PREPARED DECEMBER 2011)
 - (B) EXISTING POZZOLONIC BASE COURSE, THICKNESS VARIES FROM 4.5" TO 39.5" (SEE GEOTECHNICAL EXPLORATION AND ANALYSIS PREPARED BY MIDLAND STANDARD ENGINEERING & TESTING, INC, PREPARED DECEMBER 2011) (REMOVAL INCLUDED IN THE COST OF "PAVEMENT REMOVAL")
 - (C) EXISTING P.C.C. CURB AND GUTTER
 - (D) EXISTING P.C.C. SIDEWALK



⊥ REMOVAL AT LOCATIONS SHOWN ON THE PLANS

DATE	
BY	
SURVEYED	
PLOTTED	
CHECKED	
DATE	
NOTE BOOK NO.	
FILE NAME	



EXISTING TYPICAL SECTION
WALNUT LANE
STATION 123+40 TO STATION 125+67

FILE NAME = ...\\23-Typicals\2536-Ex-01.dgn

USER NAME = djh
DESIGNED - JSM
DRAWN - JSM
CHECKED - DJK
DATE - 8/20/2012

REVISED -
REVISED -
REVISED -
REVISED -

**STATE OF ILLINOIS
DEPARTMENT OF TRANSPORTATION**

WALNUT LANE
EXISTING TYPICAL SECTIONS
NOT TO SCALE SHEET NO. 1 OF 1 SHEETS STA. 101+16.00 TO STA. 125+67.00

F.A.G. RTE.	SECTION	COUNTY	TOTAL SHEETS	SHEET NO.
2556	08-00094-00-PV	COOK	113	12
CONTRACT NO. 63738				

ILLINOIS FED. AID PROJECT Y-8003(494)