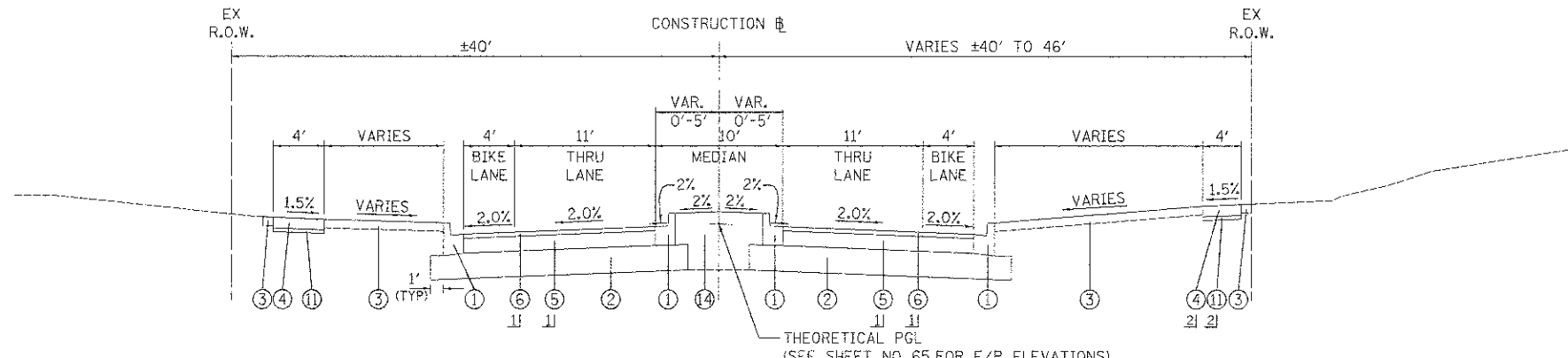
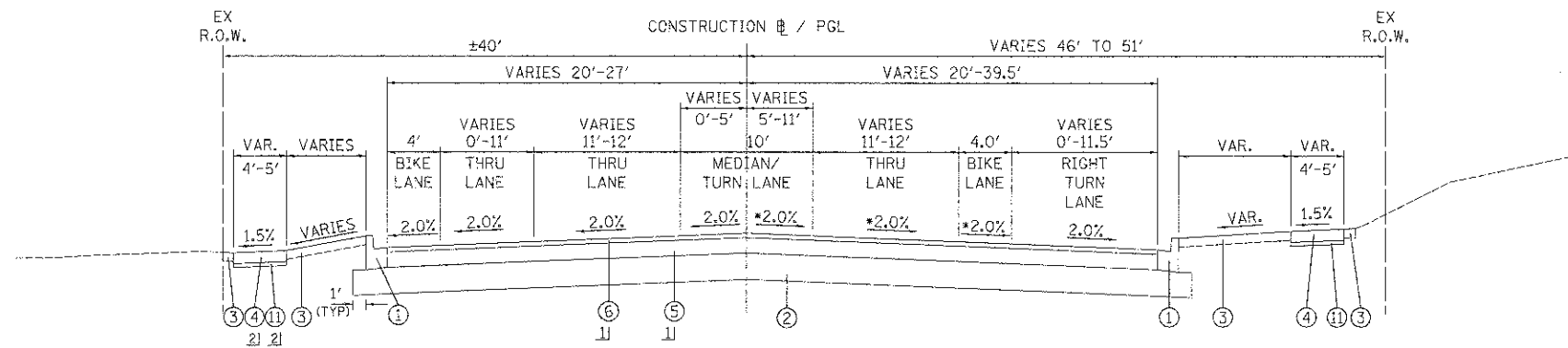


DATE	
BY	
DESIGNED	
CHECKED	
DATE	
PROJECT	
FILE NAME	

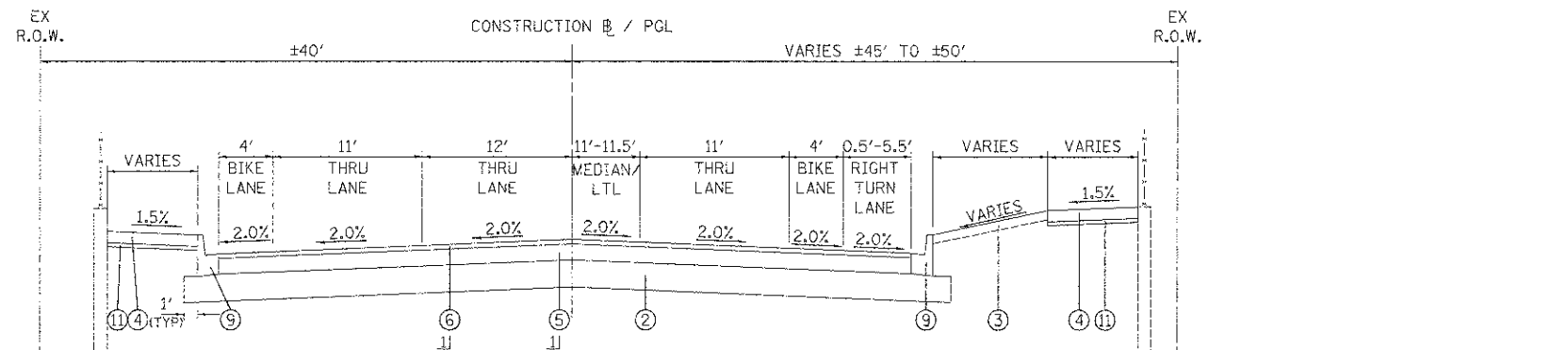
DATE	
BY	
DESIGNED	
CHECKED	
DATE	
PROJECT	
FILE NAME	



PROPOSED TYPICAL SECTION
 WALNUT LANE
 STA. 114+16.84 TO STA. 115+22.08
 (SEE SHEET NO. 88 FOR DECORATIVE CROSSWALK WITH SECTION)



PROPOSED TYPICAL SECTION
 WALNUT LANE
 STA. 121+98 TO STA. 123+90
 STA. 124+56 TO STA. 125+67
 * TRANSITION CROSS SLOPE FROM 2.0% TO 1.5% FROM STA. 122+50 TO 122+67
 MAINTAIN 1.5% CROSS SLOPE FROM STA. 122+67 TO STA. 123+25
 TRANSITION CROSS SLOPE FROM 1.5% TO 2.0% FROM STA. 123+25 TO 123+42



PROPOSED TYPICAL SECTION
 WALNUT LANE
 STA. 123+90 TO STA. 124+56

LEGEND

- ① COMBINATION CONCRETE CURB AND GUTTER, TYPE B-6.12 (GUTTER SLOPE 6% UNLESS OTHERWISE NOTED)
 - ② AGGREGATE SUBGRADE IMPROVEMENT 12"
 - ③ TOPSOIL, FURNISH AND PLACE 4" AND SODDING, SALT TOLERANT
 - ④ P.C.C. SIDEWALK 5 INCH
 - ⑤ HOT-MIX ASPHALT BINDER COURSE, IL-19.0, N50, 7"
 - ⑥ HOT-MIX ASPHALT SURFACE COURSE, MIX "D", N50, 2"
 - ⑦ PAVEMENT FABRIC
 - ⑧ PORTLAND CEMENT CONCRETE DRIVEWAY PAVEMENT, 6 INCH
 - ⑨ COMBINATION CONCRETE CURB AND GUTTER, TYPE B-9.12
 - ⑩ COMBINATION CONCRETE CURB AND GUTTER, TYPE B-6.18
 - ⑪ SUBBASE GRANULAR MATERIAL, TYPE B 2"
 - ⑫ SUBBASE GRANULAR MATERIAL, TYPE B 4"
 - ⑬ SUBBASE GRANULAR MATERIAL, TYPE B 7"
 - ⑭ PROPOSED MEDIAN SOIL MIX FURNISH AND PLACE
- 1) PAID FOR AS HOT-MIX ASPHALT PAVEMENT (FULL DEPTH), 9"
- 2) AT LOCATIONS SHOWN ON THE PLANS

FILE NAME *	USER NAME = djk
... \2336-Top-Prop-B2.dgn	DESIGNED - JSM
	DRAWN - JSM
	CHECKED - DJK
	DATE - 8/20/2012

	REVISED -
	REVISED -
	REVISED -
	REVISED -

STATE OF ILLINOIS
 DEPARTMENT OF TRANSPORTATION

WALNUT LANE PROPOSED TYPICAL SECTIONS	
NOT TO SCALE	SHEET NO. 2 OF 2 SHEETS
STA. 121+98.00 TO STA. 125+67.00	

F.A.U. RTE.	SECTION	COUNTY	TOTAL SHEETS	SHEET NO.
2556	08-00094-00-PV	COOK	113	14
CONTRACT NO. 63738				
ILLINOIS FED. AID PROJECT 4-9003494				