




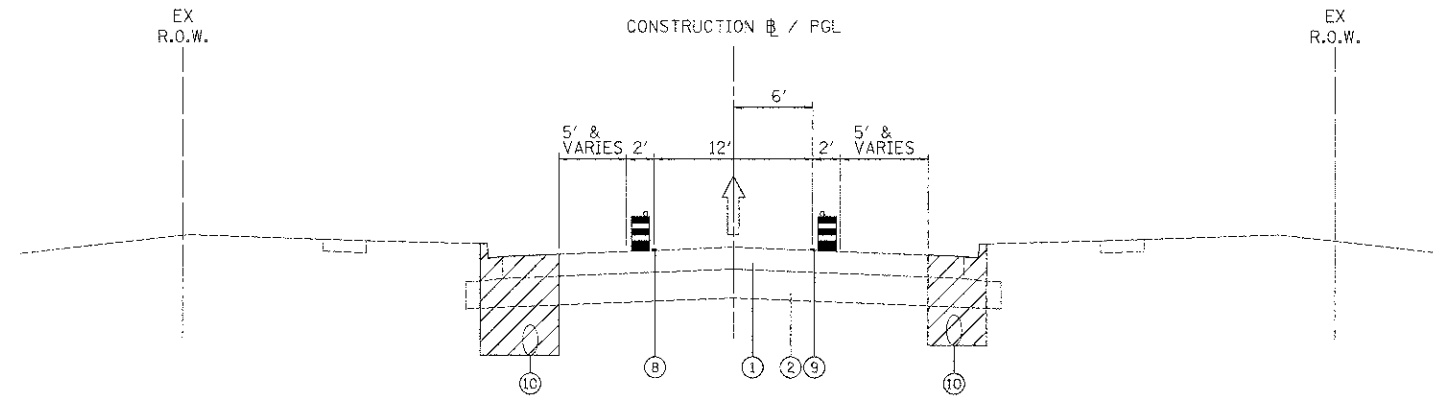
DATE	
BY	
DESIGNED	
DRAWN	
CHECKED	
IN CHARGE	
PROJECT NO.	
DATE	
NO.	

DATE	
BY	
DESIGNED	
DRAWN	
CHECKED	
IN CHARGE	
PROJECT NO.	
DATE	
NO.	

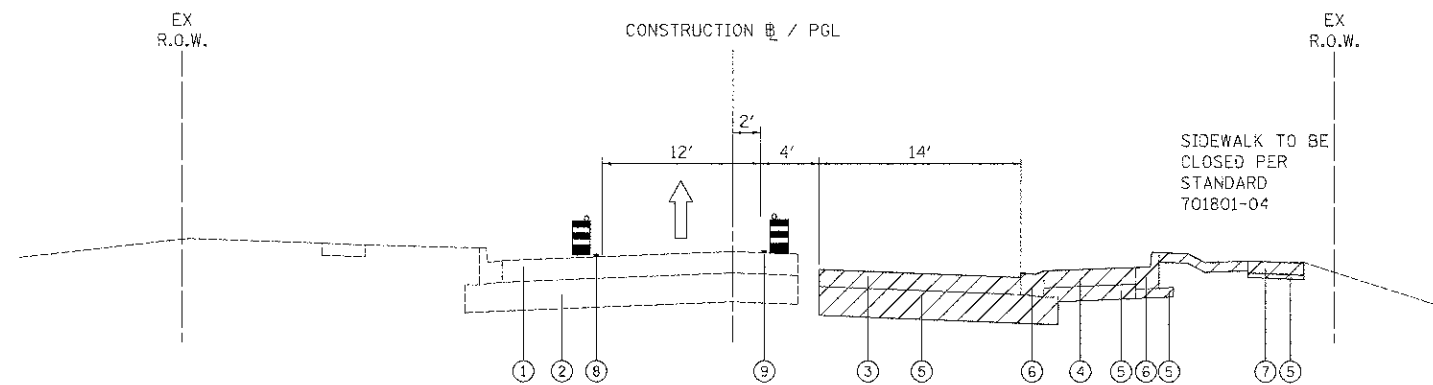
LEGEND

- ① EXISTING PAVEMENT
- ② EXISTING STONE SUBBASE / POZZOLONIC SUBBASE
- ③ PROPOSED H.M.A. PAVEMENT
- ④ PROPOSED P.C.C. DRIVEWAY PAVEMENT W/ PAVEMENT FABRIC
- ⑤ PROPOSED AGGREGATE SUBGRADE
- ⑥ PROPOSED COMB. CONC. CURB AND GUTTER
- ⑦ PROPOSED P.C.C. SIDEWALK
- ⑧ LINE 4" (YELLOW EDGE LINE)
- ⑨ LINE 4" (WHITE EDGE LINE)
- ⑩ PROPOSED UTILITY INSTALLATION

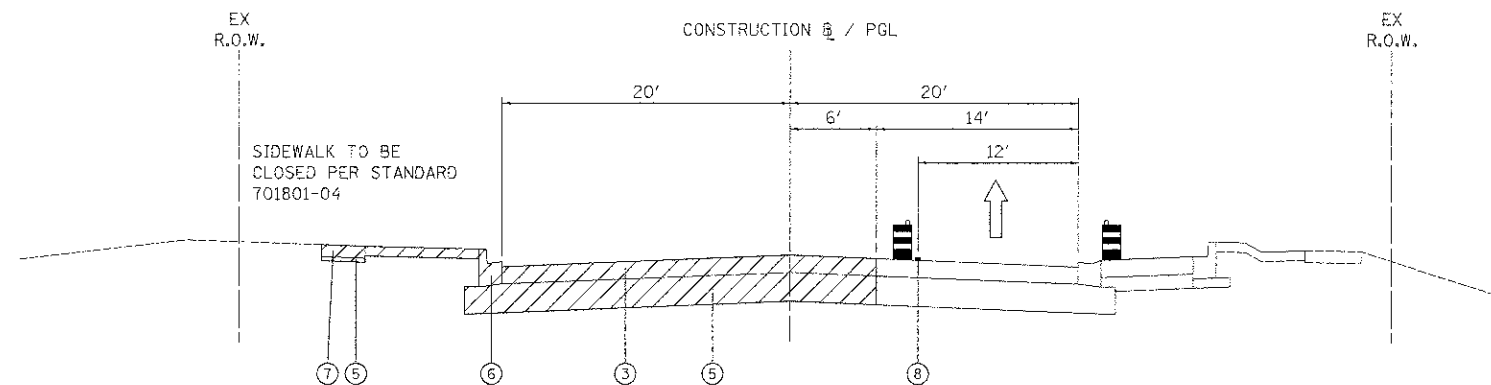
-  CONSTRUCTION ZONE
-  TRAFFIC FLOW
-  DRUMS WITH MONO DIRECTIONAL STEADY BURN LIGHT



STAGE 1 TYPICAL SECTION



STAGE 2 TYPICAL SECTION



STAGE 3 TYPICAL SECTION

FILE NAME = ... \06 \M01\2539-M01-tp-21.dgn
 USER NAME = djc
 PLOT SCALE = 3/8" = 1' / in.
 PLOT DATE = 9/3/2012

DESIGNED - JSM
 DRAWN - JSM
 CHECKED - DJK
 DATE - 8/20/2012

REVISED -
 REVISED -
 REVISED -
 REVISED -

**STATE OF ILLINOIS
 DEPARTMENT OF TRANSPORTATION**

**WALNUT LANE
 MAINTENANCE OF TRAFFIC TYPICAL SECTIONS**

F.A.U. RTE.	SECTION	COUNTY	TOTAL SHEETS	SHEET NO.
2556	08-00094-00-PV	COOK	113	27
CONTRACT NO. 63738				
ILLINOIS FED. AID PROJECT M-80034946				

NOT TO SCALE SHEET NO. 1 OF 1 SHEETS STA. TO STA.