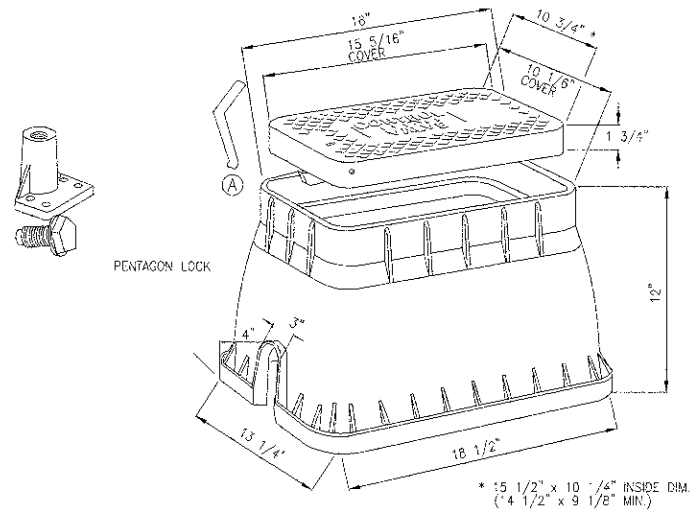
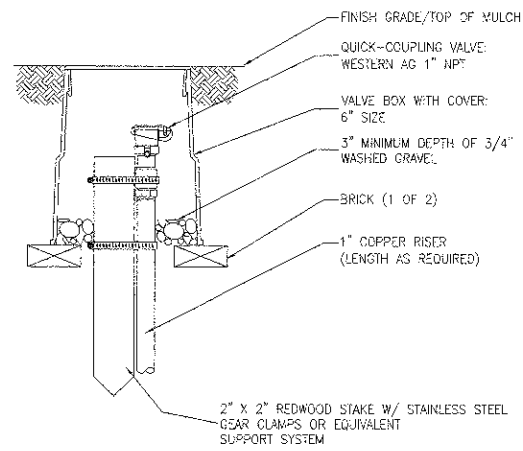


| | |
|----------|--|
| DATE | |
| BY | |
| REVISION | |
| NO. | |
| DATE | |
| BY | |
| REVISION | |
| NO. | |
| DATE | |
| BY | |
| REVISION | |
| NO. | |
| DATE | |
| BY | |
| REVISION | |
| NO. | |
| DATE | |
| BY | |
| REVISION | |
| NO. | |



NOTES:
1. INSTALLATION TO BE COMPLETED IN ACCORDANCE WITH MANUFACTURER'S SPECIFICATIONS.

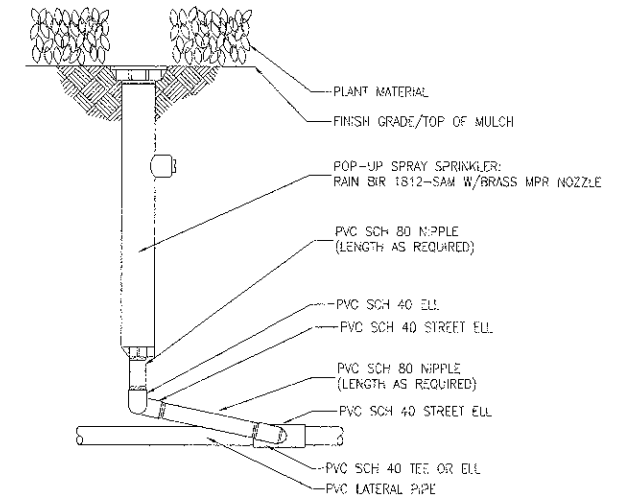
VALVE BOX (LARGE)



NOTES:
1. INSTALLATION TO BE COMPLETED IN ACCORDANCE WITH MANUFACTURER'S SPECIFICATIONS.

QUICK COUPLE

RUBBER COVERED QUICK COUPLING VALVE IN A VALVE BOX, ON A SWING JOINT STABILIZED WITH A REDWOOD STAKE AND CLAMPS.

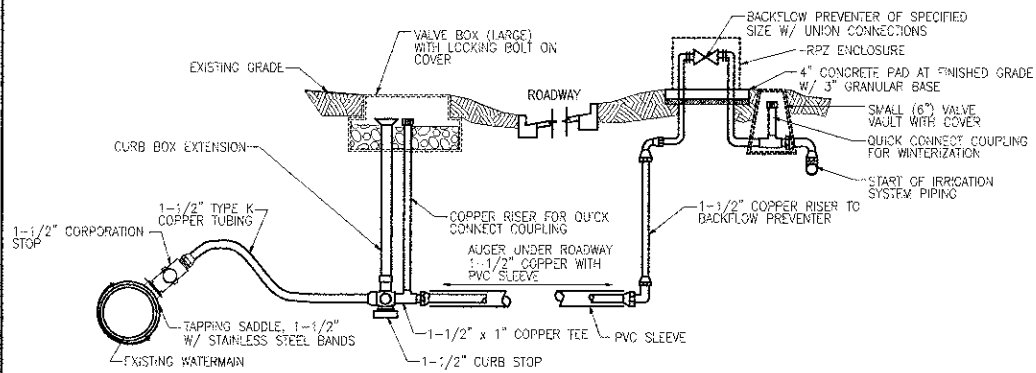


NOTES:
1. INSTALLATION TO BE COMPLETED IN ACCORDANCE WITH MANUFACTURER'S SPECIFICATIONS.

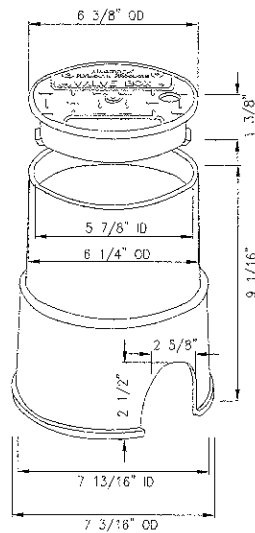
1812 POP-UP SPRAY SPRINKLER

12" PLASTIC POP-UP SPRAY HEAD ON SWING JOINT, SHOWING BOTTOM INLET

| | |
|----------|--|
| DATE | |
| BY | |
| REVISION | |
| NO. | |
| DATE | |
| BY | |
| REVISION | |
| NO. | |
| DATE | |
| BY | |
| REVISION | |
| NO. | |
| DATE | |
| BY | |
| REVISION | |
| NO. | |

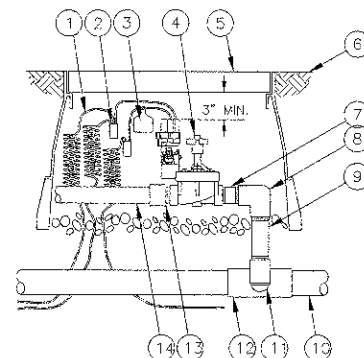


WATER SERVICE CONNECTION & BACKFLOW PREVENTER DETAIL FOR MEDIAN IRRIGATION SYSTEM



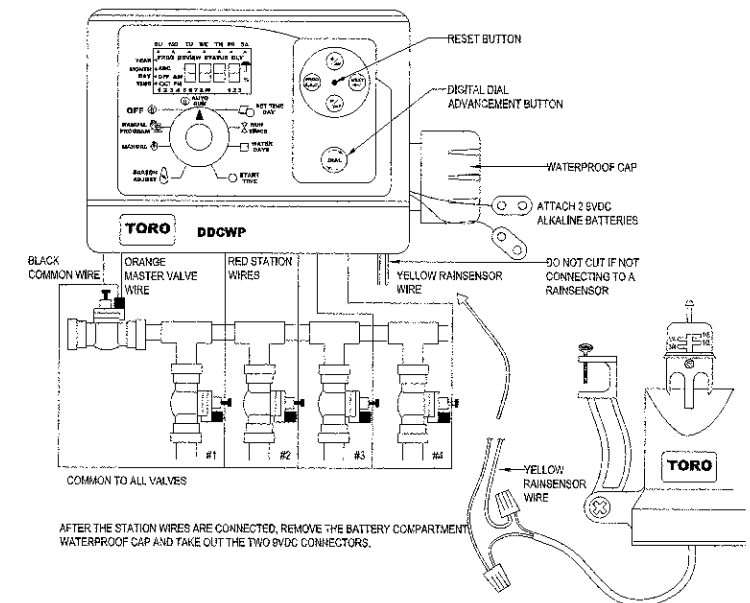
NOTES:
1. INSTALLATION TO BE COMPLETED IN ACCORDANCE WITH MANUFACTURER'S SPECIFICATIONS.

VALVE BOX 6"



- ① 30-INCH LINEAR LENGTH OF WIRE, COILED
- ② WATERPROOF CONNECTION
- ③ ID TAG: RAIN BIRD VID SERIES
- ④ REMOTE CONTROL VALVE: RAIN BIRD PEB
- ⑤ VALVE BOX WITH COVER
- ⑥ FINISH GRADE/TOP OF MULCH
- ⑦ PVC SCH 80 NIPPLE (CLOSE)
- ⑧ PVC SCH 40 ELL
- ⑨ PVC SCH 80 NIPPLE (LENGTH AS REQUIRED)
- ⑩ PVC MAINLINE PIPE
- ⑪ SCH 80 NIPPLE (2-INCH LENGTH, HIDDEN) AND SCH 40 ELL
- ⑫ PVC SCH 40 TEE OR ELL
- ⑬ PVC SCH 40 MALE ADAPTER
- ⑭ PVC LATERAL PIPE

ELECTRIC REMOTE CONTROL VALVE



NOTES:
1. INSTALLATION TO BE COMPLETED IN ACCORDANCE WITH MANUFACTURER'S SPECIFICATIONS.
2. DO NOT SCALE DRAWINGS.
3. CONTRACTORS NOTE: FOR PRODUCT AND COMPANY INFORMATION VISIT www.CADetools.com/fo REFERENCE NUMBER 005-312.

DDCWP TORO CONTROLLER

INSTALLATION DETAIL

FILE NAME = ... \25236-IRRIGATION-02.dgn

USER NAME = djk
PLOT SCALE = 10.0000' / 1"
PLOT DATE = 8/15/2012

DESIGNED -
DRAWN -
CHECKED - DJK
DATE - 8/20/2012

REVISED -
REVISED -
REVISED -
REVISED -

STATE OF ILLINOIS
DEPARTMENT OF TRANSPORTATION

WALNUT LANE
IRRIGATION DETAILS

SCALE: NOT TO SCALE | SHEET NO. 1 OF 1 SHEETS | STA. TO STA.

| F.A.U. RTE. | SECTION | COUNTY | TOTAL SHEETS | SHEET NO. |
|--------------------|----------------|--------|--------------|-----------|
| 2556 | 08-00094-00-PV | COOK | 113 | 75 |
| CONTRACT NO. 63738 | | | | |

ILLINOIS FED. AID PROJECT 8-900314941