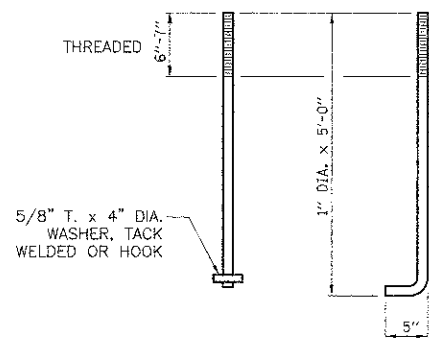
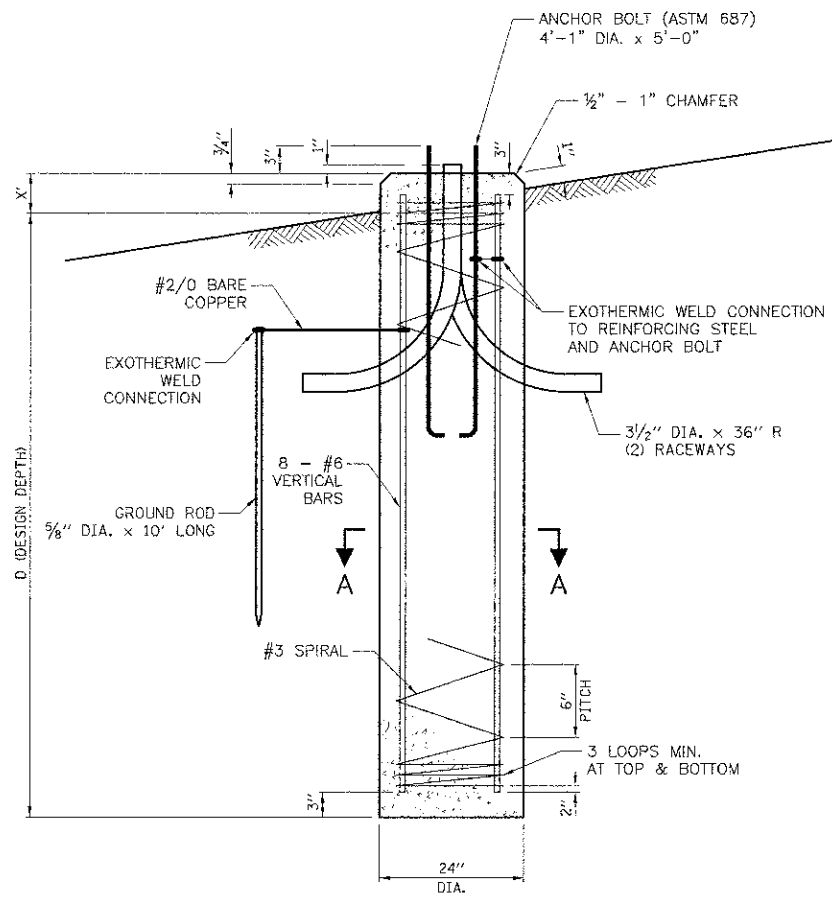
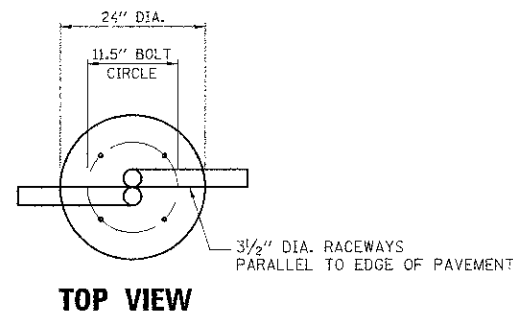
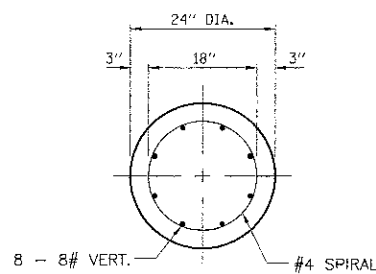


DATE	
BY	
REVISION	
PLANNED	
ALIGNED	
CHECKED	
NOTED	
NO.	

DATE	
BY	
REVISION	
PLANNED	
ALIGNED	
CHECKED	
NOTED	
NO.	



ANCHOR BOLT DETAIL

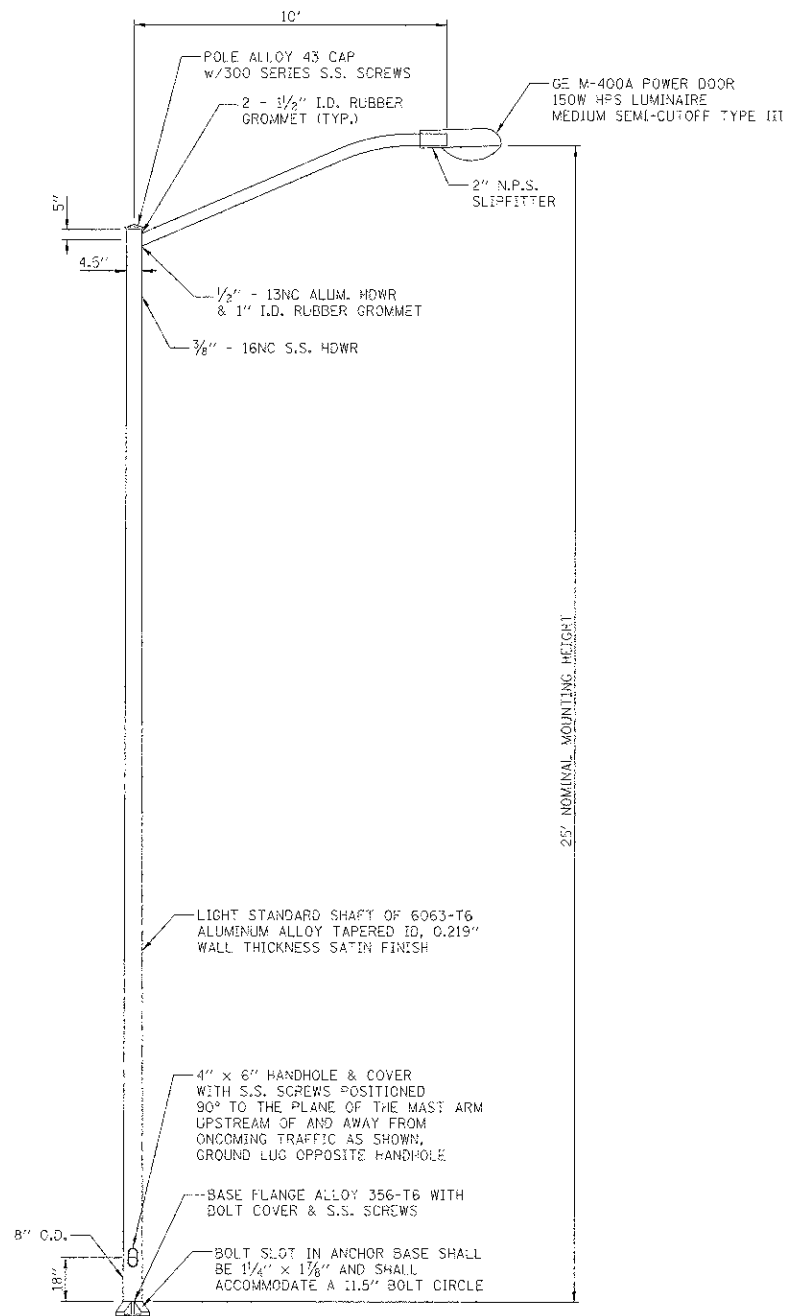


SECTION A-A

DESIGN TABLE - LIGHT POLE FOUNDATION, 24" DIAMETER

TYPE OF SOIL	DESIGN DEPTH OF FOUNDATION	REINFORCEMENT IN FOUNDATION	
		SINGLE ARM D	SINGLE ARM
SOFT CLAY	11'-0"	8-#6 x 12'-6"	#3 x 122'
MEDIUM CLAY	9'-0"	8-#6 x 9'-0"	#3 x 90'
STIFF CLAY	7'-6"	8-#6 x 6'-6"	#3 x 66'
LOOSE SAND	9'-6"	8-#6 x 9'-6"	#3 x 94'
MEDIUM SAND	9'-0"	8-#6 x 8'-0"	#3 x 78'
DENSE SAND	8'-3"	8-#6 x 7'-6"	#3 x 73'

LIGHT POLE FOUNDATION, 24" DIAMETER



NOTES:

- HEAT TREATMENT SHALL BE APPLIED AFTER WELDING.
- DESIGN SHALL CONFORM WITH 1985 AASHTO STANDARD SPECIFICATIONS FOR STRUCTURAL SUPPORTS FOR HIGHWAY SIGNS, LUMINAIRES AND TRAFFIC SIGNALS FOR 80 MPH WIND LOADINGS WITH A 1.3 GUST LOAD FACTOR.
- POLES AND ARMS SHALL BE BUILT TO TOLERANCES THAT WILL ALLOW CONSISTENT INTERCHANGIBILITY TO FACILITATE REPLACEMENT OF ARMS AND POLES.
- A DECAL COMPLYING WITH THE ANSI STANDARD SHALL BE PERMANENTLY ATTACHED TO THE LUMINAIRE AT THE FACTORY. THE DECK SHALL ALLOW A VIEWER AT GROUND LEVEL TO IDENTIFY THE WATTAGE AND LUMINAIRE PHOTOMETRIC DISTRIBUTION.

LIGHT POLE, ALUMINUM, 25 FT. M.H., 10 FT. MAST ARM