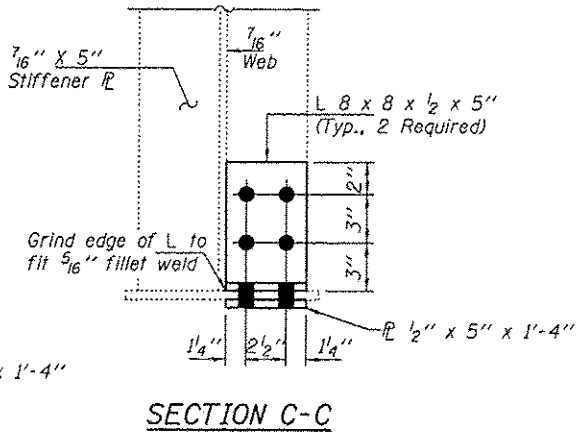
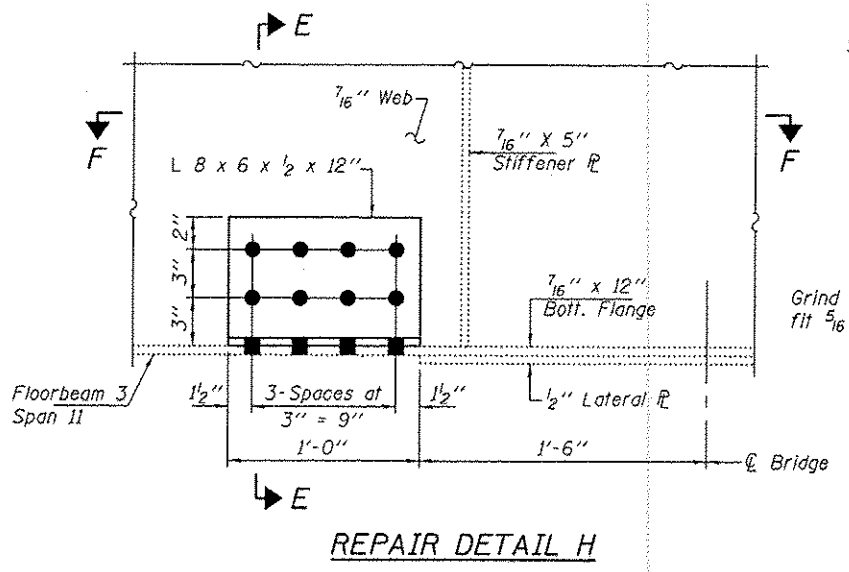


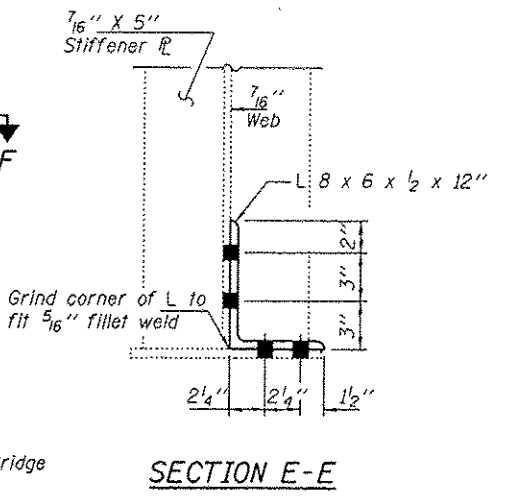
REPAIR DETAIL G



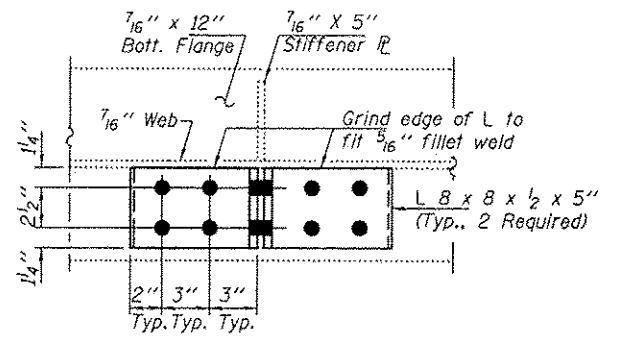
SECTION C-C



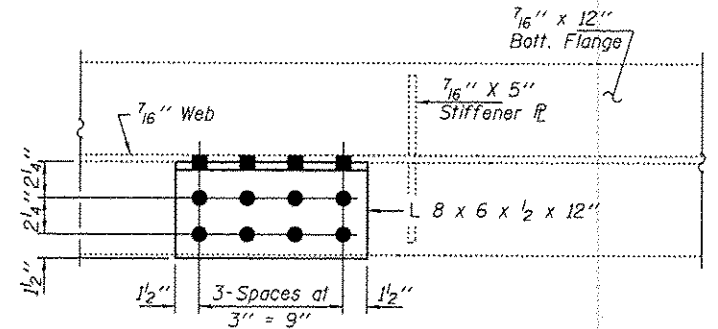
REPAIR DETAIL H



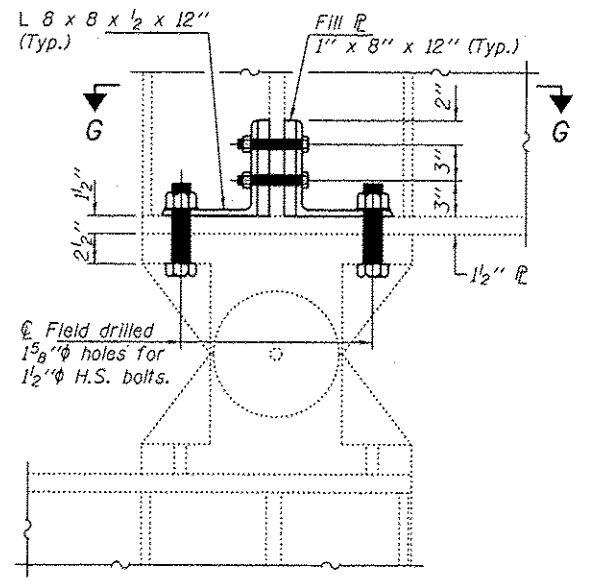
SECTION E-E



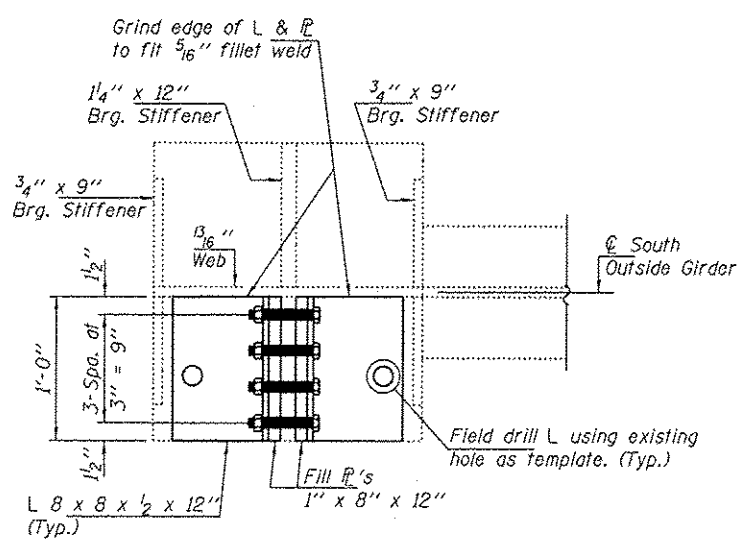
SECTION D-D



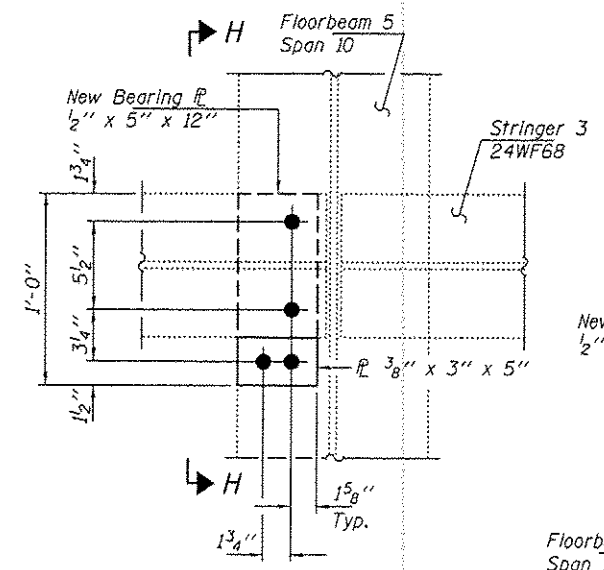
SECTION F-F



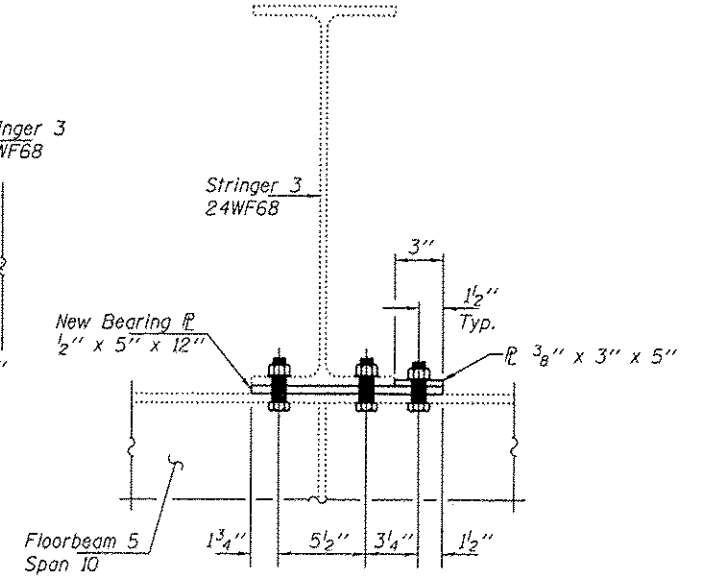
REPAIR DETAIL I
Span 14, between Floorbeams 3 & 4



SECTION G-G



REPAIR DETAIL J



SECTION H-H

DESIGNED - ATH	EXAMINED - <i>Timothy A. Bracht</i>	DATE - SEPTEMBER 19, 2012	STATE OF ILLINOIS DEPARTMENT OF TRANSPORTATION	REPAIR DETAILS G THRU J SN 081-0011		F.A. RTE. 80	SECTION (81-1B1M-3)	COUNTY ROCK ISLAND	TOTAL SHEETS 9	SHEET NO. 7
CHECKED - MKC	PASSED - <i>Carl Perry</i>			SHEET NO. 4 OF 6 SHEETS				CONTRACT NO. 64E33		
DRAWN - Kyle M. Steffen										
CHECKED - ATH MKC										