

GENERAL NOTES

All structural steel shall conform to AASHTO Classification M-270 Gr. 36, unless otherwise noted.

Plan dimensions and details relative to existing plans are subject to nominal construction variations. The Contractor shall field verify existing dimensions and details affecting new construction and make necessary approved adjustments prior to construction or ordering of materials. Such variations shall not be cause for additional compensation for a change in scope of the work, however, the Contractor will be paid for the quantity actually furnished at the unit price bid for the work.

Reinforcement bars shall conform to the requirements of ASTM A 706 Gr 60. See Special Provisions.

Reinforcement bars designated (E) shall be epoxy coated.

Prior to pouring the new concrete deck, all heavy or loose rust, loose mill scale, and other loose or potentially detrimental foreign material shall be removed from the surfaces in contact with concrete. Tightly adhered paint may remain unless otherwise noted. Removal shall be accomplished by methods that will not damage the steel and the cost will be included in the pay item covering removal of the existing concrete.

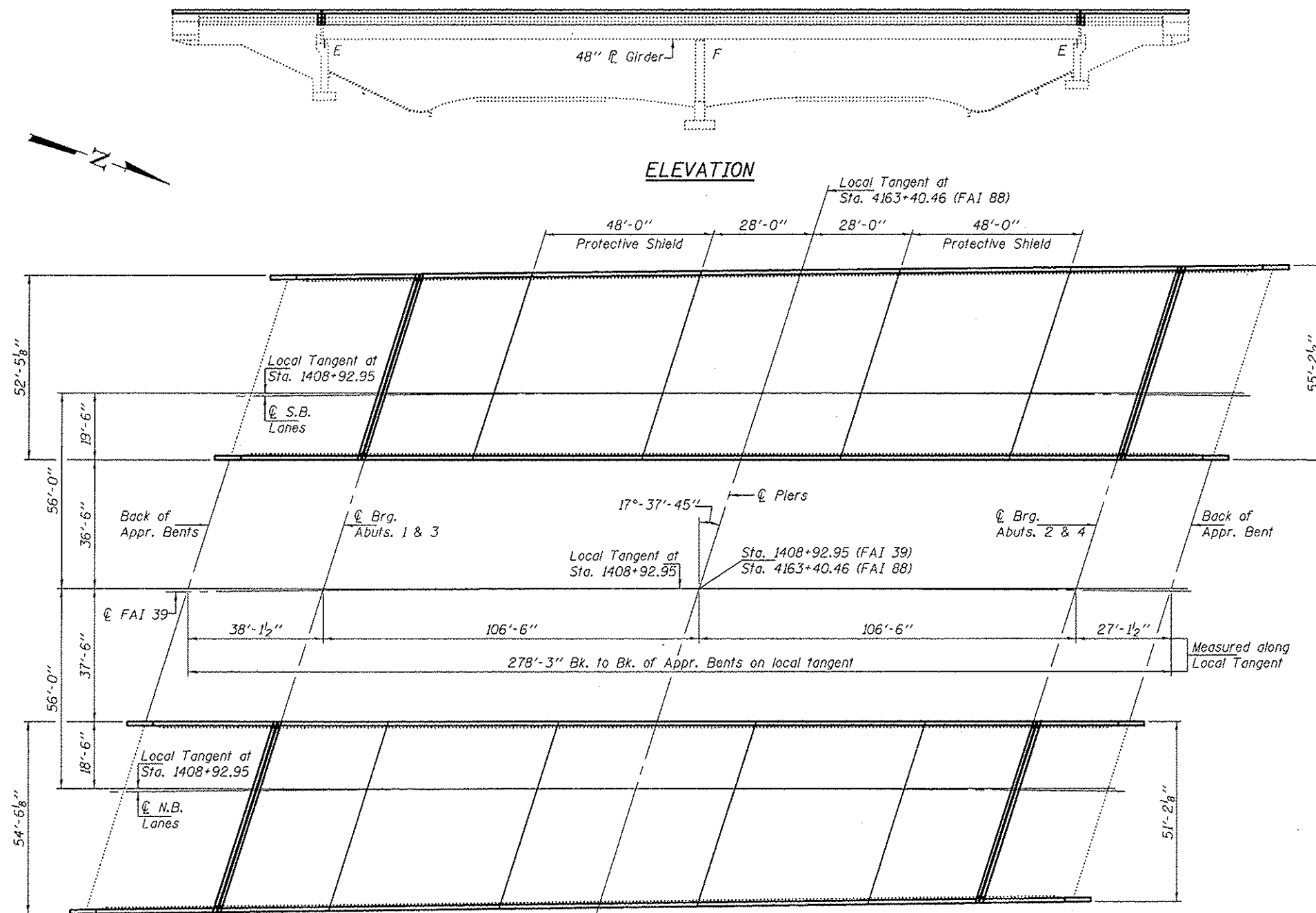
Existing reinforcement bars extending into the removal area shall be cleaned, straightened and incorporated into the new construction. Any reinforcement bars that are damaged during concrete removal shall be replaced with an approved bar splicer or anchorage system. Cost included with Concrete Removal.

The deck surface shall have its final finish tined according to Article 420.09(e)(1) of the Standard Specifications. Cost included with Concrete Superstructure.

Joint openings shall be adjusted according to Article 520.04 of the Standard Specifications when the deck is poured at an ambient temperature other than 50° F.

The existing structural steel coating contains lead. The Contractor shall take appropriate precautions to deal with the presence of lead on this project.

Areas of deck repairs shown are estimated. The Engineer shall show actual locations of deck repairs on As-built Plans.



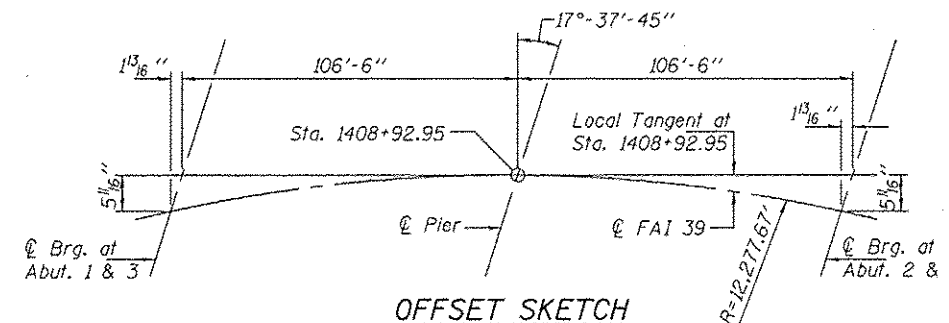
PROPOSED SCOPE OF WORK

1. Replace Expansion Joints at Abutments
2. Parapet Retrofit
3. Partial and Full Depth Deck Patching
4. Substructure Repairs
5. Apply Concrete Methacrylate Sealer to Deck and Top & Inside Faces of Parapets.

TOTAL BILL OF MATERIAL

ITEM	UNIT	QUANTITY
Concrete Removal	Cu. Yd.	11.1
Concrete Superstructure	Cu. Yd.	11.1
Reinforcement Bars, Epoxy Coated	Pound	1775
Bar Splicers	Each	24
Preformed Joint Strip Seal	Foot	215.5
Retrofit Concrete Parapet	Foot	1149
Structural Repair of Concrete (Depth ≤ 5 inches)	Sq. Ft.	621
Deck Slab Repair (Partial)	Sq. Yd.	7.1
Deck Slab Repair (Full Depth, Type II)	Sq. Yd.	4.3
Approach Slab Repair (Partial Depth)	Sq. Yd.	2.8
Bridge Deck Concrete Sealer	Sq. Yd.	3498
Protective Shield	Sq. Yd.	1132
Temporary Shoring & Cribbing	Each	1
Cleaning and Painting Exposed Rebar	Sq. Ft.	510

PLAN



Expires: November 30, 2012

DESIGNED - <i>W. C. ...</i>	EXAMINED - <i>Timothy A. ...</i>	DATE - SEPTEMBER 19, 2012
CHECKED - <i>Kyle M. Stoffel</i>	PASSED - <i>David Carl Puzey</i>	
DRAWN - <i>ADY</i>		
CHECKED - <i>ADY</i>		

STATE OF ILLINOIS
DEPARTMENT OF TRANSPORTATION

GENERAL PLAN & ELEVATION
I-39 OVER I-88
SN 071-0062 (S.B.) & 0063 (N.B.)
SHEET NO. 1 OF 13 SHEETS

F.A.I. RTE.	SECTION	COUNTY	TOTAL SHEETS	SHEET NO.
39	02 DECK REPAIR 2013-1	OGLE	32	15
CONTRACT NO. 64H73			ILLINOIS FED. AID PROJECT	