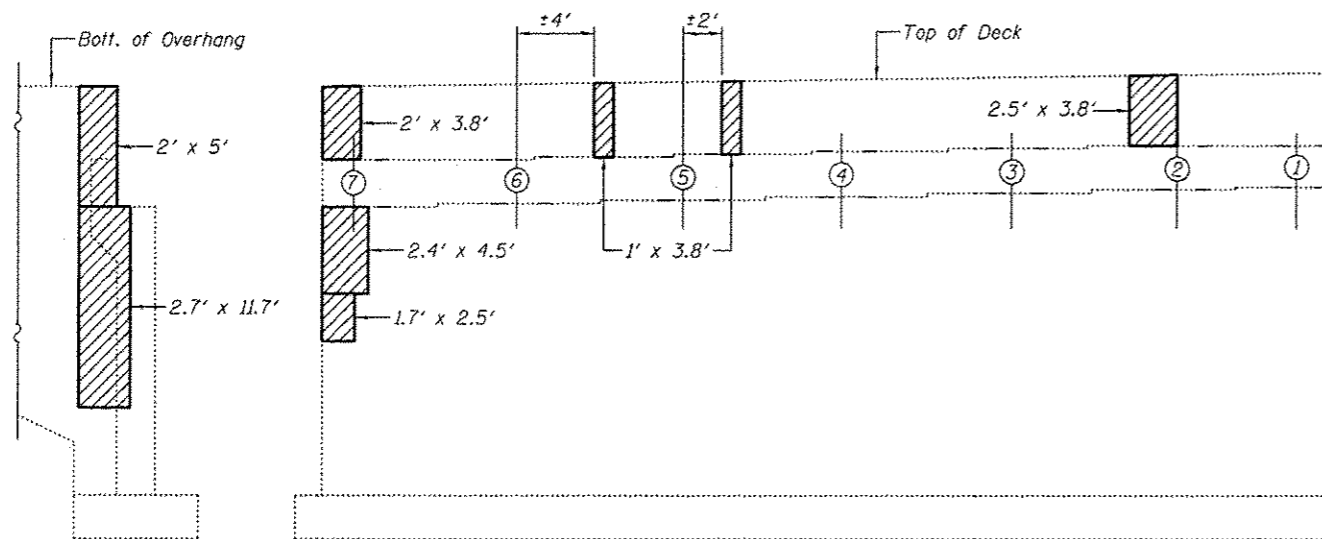
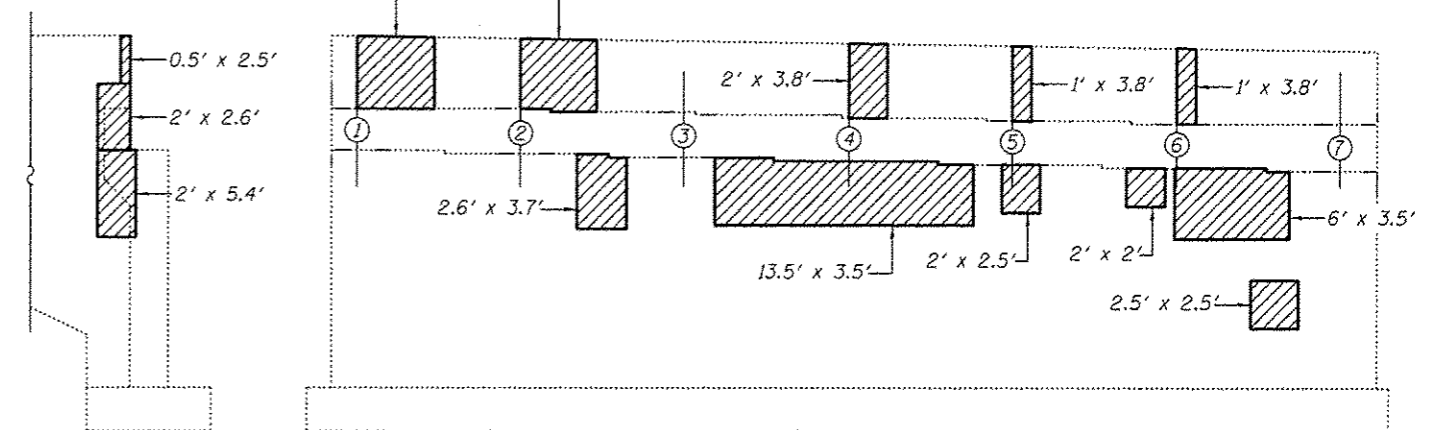


N. ABUT. PLAN (SN: 071-0062 S.B.)



SOUTH ABUTMENT
EAST CURTAIN WALL
(SN: 071-0062 S.B.)

SOUTH ABUTMENT (SN: 071-0062 S.B.)
(Looking South)



NORTH ABUTMENT
WEST CURTAIN WALL
(SN: 071-0062 S.B.)

NORTH ABUTMENT (SN: 071-0062 S.B.)
(Looking North)

BILL OF MATERIAL

ITEM	UNIT	QUANTITY
Structural Repair of Concrete (Depth ≤ 5 inches)	Sq. Ft.	252

DESIGNED - GGE	EXAMINED - <i>Timothy A. [Signature]</i>	DATE - SEPTEMBER 19, 2012
CHECKED - ADY	ACTING ENGINEER OF STRUCTURAL SERVICES	
DRAWN - Kyle M. Steffen	PASSED - <i>Carl [Signature]</i>	
CHECKED - GGE ADY	ACTING ENGINEER OF BRIDGES AND STRUCTURES	

STATE OF ILLINOIS
DEPARTMENT OF TRANSPORTATION

STRUCTURAL REPAIR OF CONCRETE AT ABUTMENTS
SN 071-0062 (S.B.)

SHEET NO. 11 OF 13 SHEETS

F.A.I. RTE.	SECTION	COUNTY	TOTAL SHEETS	SHEET NO.
39	D2 DECK REPAIR 2013-1	OGLE	32	25
				CONTRACT NO. 64HT3
ILLINOIS FED. AID PROJECT				