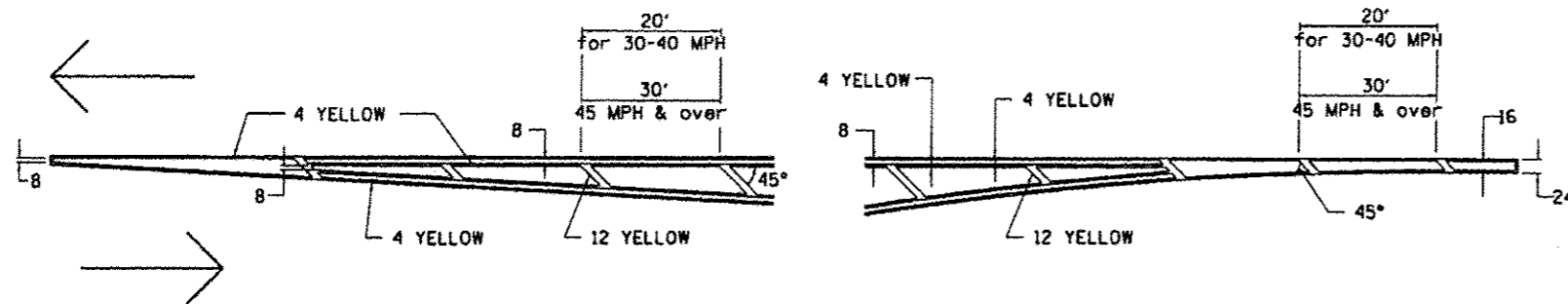
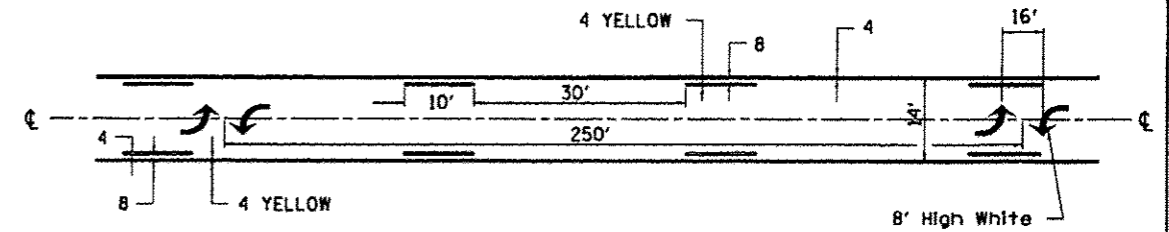


TYPICAL PAVEMENT MARKINGS

TYPICAL PAVEMENT MARKING FOR FLUSH MEDIAN AT LEFT TURN LANE

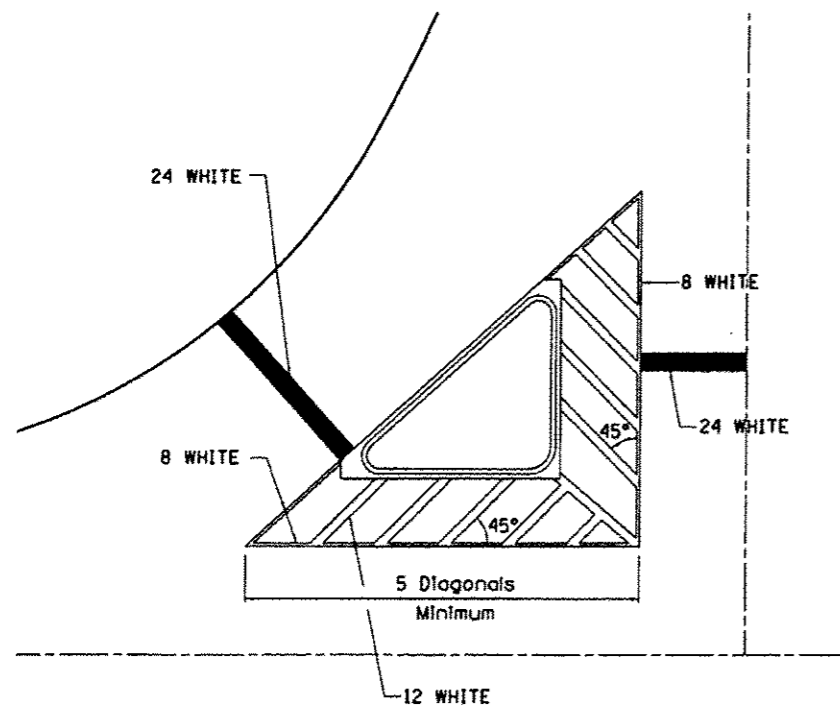


MEDIAN PAVEMENT MARKING

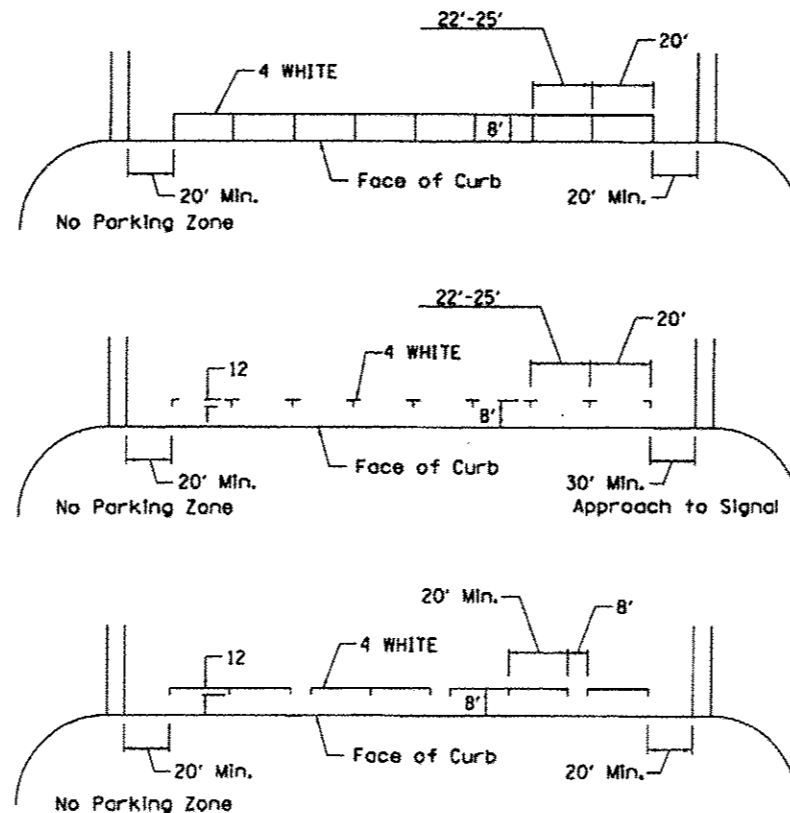


•• ALL DIMENSIONS ARE IN INCHES UNLESS OTHERWISE NOTED.

TYPICAL ISLAND OFFSET SHOULDER WIDTH

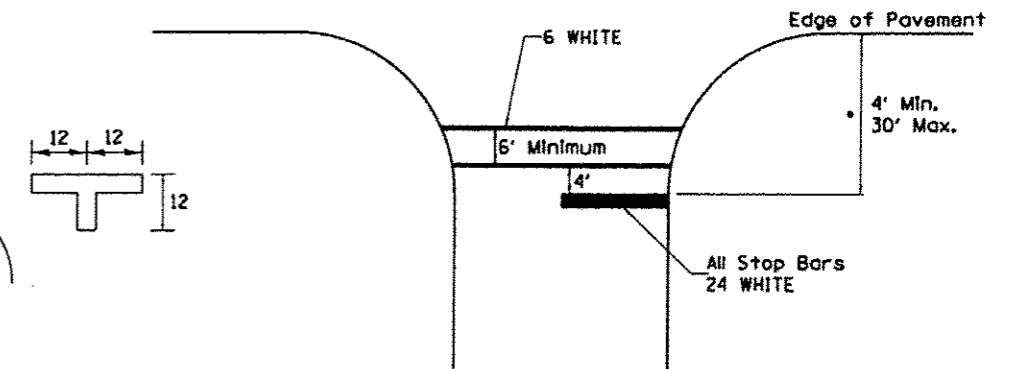


TYPICAL PARKING SPACING



STANDARD CROSSWALK MARKING

See Schedules for Locations



• Distance to the nearest edge of the intersecting roadway in the absence of a marked crosswalk.

FILE NAME: \\CENTRAL\Shared\02\BR\CONSTANTIN\64198	USER NAME: borlase	DESIGNED: -	REVISED: 3-5-12	STATE OF ILLINOIS DEPARTMENT OF TRANSPORTATION	REGION 2 / DISTRICT 2 STANDARD			F.A. RTE.	SECTION	COUNTY	TOTAL SHEETS	SHEET NO.	
18 IL 26 US 30 Painting\64198.dgn		DRAWN: -	REVISED: -		SCALE:	SHEET NO.	OF SHEETS	STA.	TO STA.	FED. ROAD DIST. NO.	ILLINOIS FED. AID PROJECT	17	4
PLOT SCALE: 1/8" = 1'-0"		CHECKED: -	REVISED: -		CONTRACT NO. 64H98								
PLOT DATE: Mon Aug 06 18:09:53 2012		DATE: -	REVISED: -										