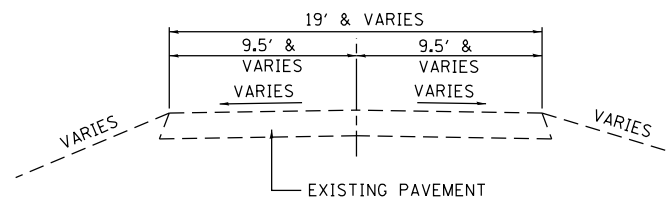


PROPOSED TYPICAL CROSS SECTION ③

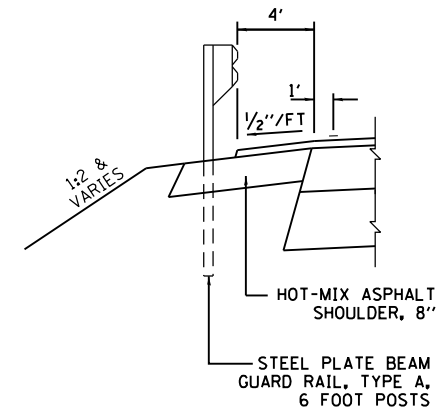
F.A.P. 693 (IL 9)
 STA 862+80.25 TO STA 864+20.00

SEE STATE STANDARD 420401 BRIDGE
 APPROACH PAVEMENT CONNECTOR
 STA 861+39.75 TO STA 861+45.75
 STA 862+80.25 TO STA 862+86.25



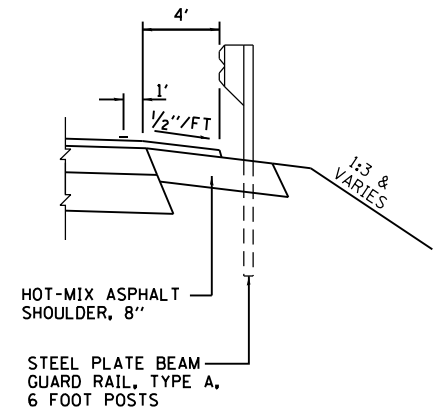
EXISTING TYPICAL CROSS SECTION

S 300E ROAD
 STA 19+39.80 TO STA 19+86.54
 N 300E ROAD
 STA 30+10.65 TO STA 31+00.00



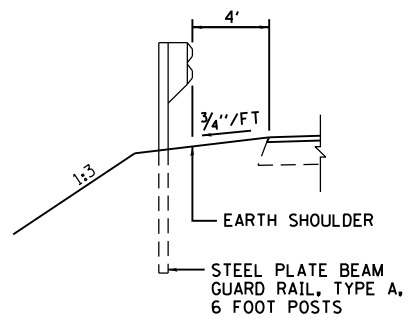
DETAIL AT GUARDRAIL

F.A.P. 693 (IL 9)
 STA 862+64.68 LT TO STA 864+20.00 LT



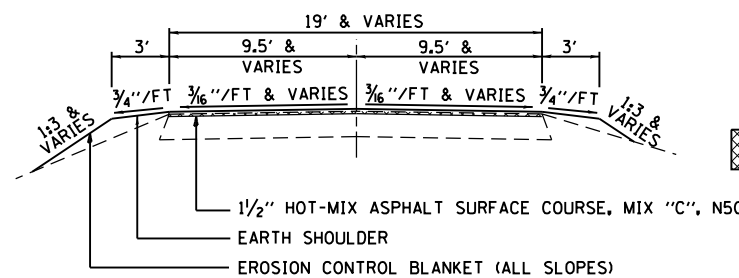
DETAIL AT GUARDRAIL

F.A.P. 693 (IL 9)
 STA 862+64.68 RT TO STA 864+08.18 RT



DETAIL AT GUARDRAIL

N 300E ROAD
 STA 30+15.58 LT TO STA 31+04.54 LT



HMA SURFACE REMOVAL, VARIABLE DEPTH

PROPOSED TYPICAL CROSS SECTION

S 300E ROAD
 STA 19+39.80 TO STA 19+86.54
 N 300E ROAD
 STA 30+10.65 TO STA 31+00.00

USER NAME = dmeyer	DESIGNED - JJO	REVISED -
PLOT SCALE = 10.0000' / in.	DRAWN - JJO	REVISED -
PLOT DATE = 8/13/2012	CHECKED - JML	REVISED -
	DATE - 08/10/12	REVISED -

TYPICAL SECTIONS	
SCALE:	SHEET OF SHEETS STA. TO STA.

F.A.P. RTE.	SECTION	COUNTY	TOTAL SHEETS	SHEET NO.
693	19BR	FORD	61	10
CONTRACT NO. 66A12				
ILLINOIS FED. AID PROJECT				