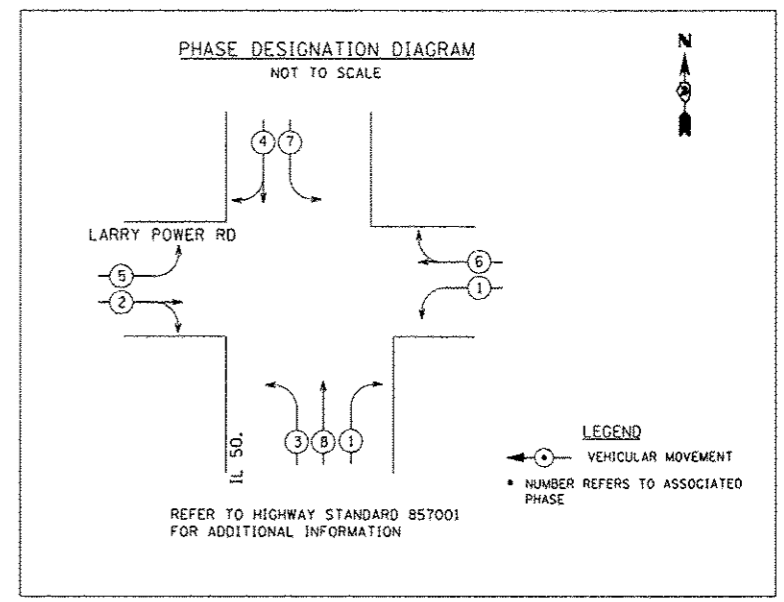


- TRAFFIC SIGNALS LEGEND**
- EMERGENCY VEHICLE LIGHT DETECTOR
 - CONFIRMATION BEACON
 - SIGNAL FACE WITH BACK PLATE
"P" INDICATES PROGRAMMED HEAD.
 - CONTROLLER CABINET
 - GROUND ROD AT HANDHOLE (H),
DOUBLE HANDHOLE (H), OR CONTROLLER (C)
 - GROUND ROD AT POST (P) OR
MAST ARM POLE (MA)
 - UN-INTERRUPTIBLE POWER SUPPLY (UPS)
 - SERVICE INSTALLATION
 - VEHICLE DETECTOR, INDUCTION LOOP
 - FIBER OPTIC CABLE IN CONDUIT,
NO. 62.5/125 MM12F & SM12F
 - GROUND CABLE IN CONDUIT, NO. 6 SOLID COPPER GREEN
 - LUMINAIRE
 - DETECTOR LOOP



PROPOSED CABLE PLAN
NOT TO SCALE

FILE NAME : C:\pwork\pwork\mofaddenka\0384617\66632-ah1-cover.dgn	USER NAME : mofaddenka	DESIGNED - DRAWN -	REVISED - REVISED -	STATE OF ILLINOIS DEPARTMENT OF TRANSPORTATION	FAP 840 (IL 50) CABLE PLAN		F.A.P. RTE. 840	SECTION (140N, TS-3)	COUNTY KANKAKEE	TOTAL SHEETS 29	SHEET NO. 18	
PLOT SCALE = 5/8"=1'-0"		CHECKED -	REVISED -		SCALE: N.T.S.	SHEET NO. OF SHEETS	STA. TO STA.	CONTRACT NO. 66632				
PLOT DATE = 6/24/2012		DATE -	REVISED -		ILLINOIS FED. AID PROJECT							
Rev.												